

Performance Optimization of VLSI Interconnect Layout

Jason Cong, Lei He, Cheng-Kok Koh and Patrick H. Madden

Department of Computer Science

University of California, Los Angeles, CA 90095

Abstract

This paper presents a comprehensive survey of existing techniques for interconnect optimization during the VLSI physical design process, with emphasis on recent studies on interconnect design and optimization for high-performance VLSI circuit design under the deep submicron fabrication technologies. First, we present a number of interconnect delay models and driver/gate delay models of various degrees of accuracy and efficiency which are most useful to guide the circuit design and interconnect optimization process. Then, we classify the existing work on optimization of VLSI interconnect into the following three categories and discuss the results in each category in detail: (i) topology optimization for high-performance interconnects, including the algorithms for total wirelength minimization, critical pathlength minimization, and delay minimization; (ii) device and interconnect sizing, including techniques for efficient driver, gate, and transistor sizing, optimal wiresizing, and simultaneous topology construction, buffer insertion, buffer and wire sizing; (iii) high-performance clock routing, including abstract clock net topology generation and embedding, planar clock routing, buffer and wire sizing for clock nets, non-tree clock routing, and clock schedule optimization. For each method, we discuss its effectiveness, its advantages and limitations, as well as its computational efficiency. We group the related techniques according to either their optimization techniques or optimization objectives so that the reader can easily compare the quality and efficiency of different solutions.

Contents

| | | |
|----------|---|-----------|
| 1 | Introduction | 4 |
| 2 | Preliminaries | 5 |
| 2.1 | Interconnect Delay Models | 6 |
| 2.2 | Driver Delay Models | 12 |
| 3 | Topology Optimization for High Performance Interconnect | 16 |
| 3.1 | Topology Optimization for Total Wirelength Minimization | 18 |
| 3.1.1 | Minimum Spanning Trees | 18 |
| 3.1.2 | Conventional Steiner Tree Algorithms | 18 |
| 3.2 | Topology Optimization for Path Length Minimization | 22 |
| 3.2.1 | Tree Cost/Path Length Tradeoffs | 22 |
| 3.2.2 | Arborescences | 24 |
| 3.2.3 | Multiple Source Routing | 26 |
| 3.3 | Topology Optimization for Delay Minimization | 28 |
| 4 | Wire and Device Sizing | 31 |
| 4.1 | Device Sizing | 31 |
| 4.1.1 | Driver Sizing | 32 |
| 4.1.2 | Transistor and Gate Sizing | 33 |
| 4.1.3 | Buffer Insertion | 37 |
| 4.2 | Wiresizing Optimization | 39 |
| 4.2.1 | Wiresizing to Minimize Weighted Delay | 39 |
| 4.2.2 | Wiresizing to Minimize Maximum Delay or Achieve Target Delay | 44 |
| 4.3 | Simultaneous Device and Wire Sizing | 47 |
| 4.3.1 | Simultaneous Driver and Wire Sizing | 47 |
| 4.3.2 | Simultaneous Gate and Wire Sizing | 48 |
| 4.3.3 | Simultaneous Transistor and Wire Sizing | 49 |
| 4.3.4 | Simultaneous Buffer Insertion and Wire Sizing | 50 |
| 4.4 | Simultaneous Topology Construction and Sizing | 51 |
| 4.4.1 | Dynamic Wiresizing during Topology Construction | 51 |
| 4.4.2 | Simultaneous Tree Construction, Buffer Insertion and Wiresizing | 52 |
| 5 | High-Performance Clock Routing | 53 |
| 5.1 | Abstract Topology Generation | 55 |
| 5.1.1 | Top-Down Topology Generation | 56 |
| 5.1.2 | Bottom-Up Topology Generation | 57 |

| | | |
|-------|---|----|
| 5.2 | Embedding of Abstract Topology | 59 |
| 5.2.1 | Zero-Skew Embedding | 59 |
| 5.2.2 | Bounded-Skew Embedding | 62 |
| 5.2.3 | Topology Generation with Embedding | 66 |
| 5.3 | Planar Clock Routing | 68 |
| 5.3.1 | Max-Min Planar Clock Routing | 69 |
| 5.3.2 | Planar-DME Clock Routing | 69 |
| 5.4 | Buffer and Wire Sizing for Clock Nets | 70 |
| 5.4.1 | Wiresizing in Clock Routing | 72 |
| 5.4.2 | Buffer Insertion in Clock Routing | 74 |
| 5.4.3 | Buffer Insertion and Sizing in Clock Routing | 78 |
| 5.4.4 | Buffer Insertion and Wire Sizing in Clock Routing | 79 |
| 5.5 | Non-Tree Clock Routing | 81 |
| 5.6 | Clock Schedule Optimization | 81 |

6 Conclusion and Future Work 84

1 Introduction

The driving force behind the rapid growth of the VLSI technology has been the constant reduction of the feature size of VLSI devices (i.e. the minimum transistor size). The feature size decreased from about $2\mu m$ in 1985, to about $1\mu m$ in 1990, and to $0.35\text{-}0.5\mu m$ today (1996). The prediction is that it will be reduced to about $0.18\mu m$ in Year 2001 [SIA94]. Such continual miniaturization of VLSI devices has strong impact on the VLSI technology in several ways. First, the device density on integrated circuits grows quadratically with the rate of decrease in the feature size. As a result, the total number of transistors on a single VLSI chip has increased from less than 500,000 in 1985 to over 10 million today. The prediction is that it will reach 64 million in Year 2001 [SIA94]. Second, the devices operate at a higher speed, and the interconnect delay becomes much more significant. According to the simple scaling rule described in [Ba90], when the devices and interconnects are scaled down in all three dimensions by a factor of S , the intrinsic gate delay is reduced by a factor of S , the delay of local interconnects (such as connections between adjacent gates) remains the same, but the delay of global interconnects increases by a factor of S^2 . As a result, the interconnect delay has become the dominating factor in determining system performance. In many systems designed today, as much as 50% to 70% of clock cycle are consumed by interconnect delays. This percentage will continue to rise as the feature size decreases further.

Not only do interconnects become more important, they also become much more difficult to model and optimize in the deep submicron VLSI technology, as the *distributed nature* of the interconnects has to be considered. Roughly speaking, the interconnect delay is determined by the driver/gate resistance, the interconnect and loading capacitance, and the interconnect resistance. For the conventional technology with the feature size of $1\mu m$ or above, the interconnect resistance in most cases is negligible compared to the driver resistance. So, the interconnect and loading gates can be modeled as a lumped loading capacitor. In this case, the interconnect delay is determined by the driver resistance times the total loading capacitance. Therefore, conventional optimization techniques focus on reducing the driver resistance using driver, gate, and transistor sizing, and minimizing the interconnect capacitance by buffer insertion and minimum-length, minimum-width routing. For the deep submicron technology which became available recently, the interconnect resistance is comparable to the driver resistance in many cases. As a result, the interconnect has to be modeled as a distributed RC or RLC circuit. Techniques such as optimal wire sizing, optimal buffer placement, and simultaneous driver, buffer, and wire sizing have become necessary and important.

This paper presents an up-to-date survey of the existing techniques for interconnect optimization during the VLSI layout design process. Section 2 discusses interconnect delay models and gate delay models and introduces a set of concepts and notation to be used for the subsequent sections. Section 3 presents the techniques for *interconnect topology optimization*, where the objective is to compute the best routing pattern for a net for interconnect delay minimization. It covers the algorithms based on total wirelength minimization, pathlength minimization, and delay minimization. Section 4 presents the techniques for *device and interconnect sizing*, which determines the best geometric dimensions of devices and interconnects for delay minimization. It includes driver sizing, transistor sizing, buffer placement, wire sizing, and combinations of these techniques. Section 5 discusses techniques for *high-performance clock routing*, including clock tree topology generation and embedding, planar clock routing, buffer and wire sizing for clock nets, non-tree clock routing, and clock schedule optimization. Section 6 concludes the paper with suggestions of several directions for future research.

2 Preliminaries

VLSI design involves a number of steps, including high level design, logic design, and physical layout. Designs are generally composed of a number of functional blocks or cells which must be interconnected. This paper addresses the interconnection problems of these blocks or cells.

A net N is composed of a set of pins $\{s_0, s_1, s_2, \dots, s_n\}$ which must be made electrically connected. s_0 denotes the driver of the net, which supplies a signal to the interconnect. In some cases, a net may have multiple drivers, each driving the interconnect at a different time (such as in a signal bus). These nets are called *multi-source* nets. The remaining pins in a net are sinks, which receive the signal from the driver.

The *interconnection* of a net consists of a set of wire segments (often in multiple routing layers) connecting all the pins in the net. It can be represented by a graph, in which each edge denotes a wire segment and each vertex denotes a pin or joint of two wire segments. Interconnections are generally rectilinear.

In this paper, we will primarily be interested in interconnect trees, in which there exists a unique simple path between any pair of nodes. We use $Path(u, v)$ to denote the unique path from u to v in the interconnect tree. $d_T(u, v)$ denotes the path length of $Path(u, v)$. The source node s_0 will generally be referred to as the root of an interconnect tree, each node v in a tree is connected to its parent by edge e_v . We use T_v to denote the subtree of T that is rooted at v . Given an edge e , we use $Des(e)$ to denote the set of edges in the subtree rooted at e (excluding e), $Ans(e)$ to denote the set of edges $\{e' | e \in Des(e')\}$ (again, excluding e), and T_e to denote the subtree of T rooted at e , i.e., $Des(e) \cup \{e\}$. The *topology* of an interconnect tree T refers to an abstraction of T on the Manhattan plane, without considering the wire width, routing layer assignment, and all electrical properties. In this paper, we often use an interconnect tree and its topology interchangeably.

However, we distinguish an interconnect tree T from its *abstract topology* G , which is a binary tree (with the possible exception at the root) such that all sinks are the leaf nodes of the binary tree. The source driver is the root node of the tree, and may have a singleton internal node as its only child. Consider any two nodes, say u and v , with a common parent node $w = p(u) = p(v)$ in the abstract topology, then the signal from the source has to pass through w before reaching u and v (and their descendants). The topology of an interconnect tree T is an embedding of the abstract topology G , i.e. each internal node $v \in G$ is mapped to a location $l(v) = (x_v, y_v)$ in the Manhattan plane, where (x_v, y_v) are the x - and y -coordinates, and each edge $e \in G$ is replaced by a rectilinear edge or path. Figure 1 shows an abstract topology and its embedding (which is not unique). Some interconnect optimization algorithms first compute a good abstract topology and then generate an optimal or near-optimal embedding.

The definitions and notation for interconnect tree T also apply to abstract topology G . For example, we also use $Path(u, v)$ to denote the unique path from u to v in the abstract topology G . Furthermore, we define the *level* of a node in an abstract topology. The root node of the abstract topology is at level 0, and the children of a node at level k are at level $k + 1$. A node with a smaller level number is at a higher level of the hierarchy.

In this paper, we are mainly concerned with the Manhattan (rectilinear) distance metrics. We use $d(u, v)$ to denote the Manhattan distance between points u and v . If edge e connects u and v , then $|e| \geq d(u, v)$. Note that we differentiate between $d(u, v)$ and $d_T(u, v)$; in general, $d_T(u, v) \geq d(u, v)$. The distance between two pointsets P and Q is defined as $d(P, Q) = \min\{d(p, q) | p \in P, q \in Q\}$, while the diameter of a point set P is $diameter(P) = \max\{d(p, q) | p, q \in P\}$, and the radius of a point set P with respect to some point c is $radius(P) = \max\{d(p, c) | p \in P\}$.

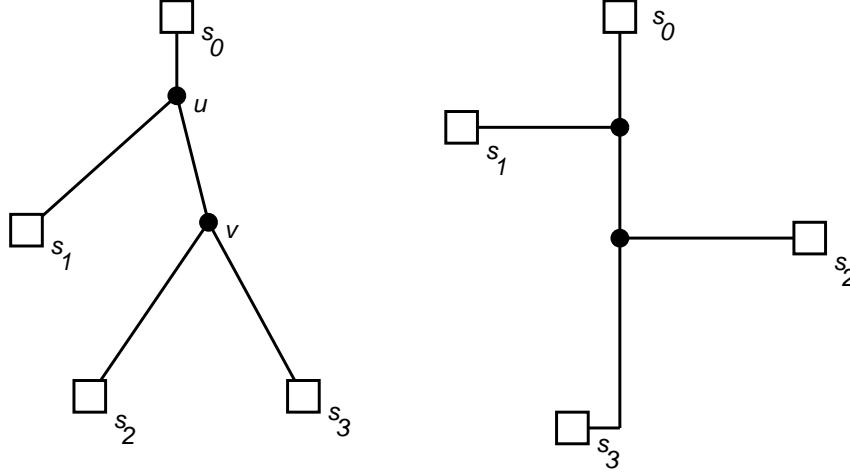


Figure 1: The abstract topology of an interconnect tree, and its embedding.

An interconnect tree T is evaluated on a number of attributes, including cost and delay. Generally, the cost of edge e refers to its wirelength, and is denoted by $|e|$. For instances where we consider variably sized wires, with the width of edge e denoted by w_e , the cost of edge e may refer to its area (i.e., the product of its length and width, $|e| \cdot w_e$). $|T|$ denotes the total cost of all edges in tree T .

Let $t(u, v)$ denote the signal delay from node u to node v . Then, $t(s_0, s_i)$ denotes the delay from source to sink s_i . For simplicity, we use t_i to denote $t(s_0, s_i)$. A brief discussion on the various delay models can be found in Sections 2.1 and 2.2. We are also interested in the *skew* of the clock signal, defined to be the difference in the clock signal delays to the sinks. One common definition of the *skew* of clock tree T is given by $skew(T) = \max_{s_i, s_j \in \mathcal{S}} |t_i - t_j|$.

Let r , c_a and c_f denote the unit square wire resistance, unit area capacitance, and unit length fringing capacitance (for 2 sides), respectively. Then, the wire resistance of edge e , denoted r_e , and the total wire capacitance of e , denoted c_e , are given as follows:

$$r_e = \frac{r \cdot |e|}{w_e}, \quad c_e = c_a \cdot |e| \cdot w_e + c_f \cdot |e|.$$

We use $Cap(v)$ to denote the total capacitance of T_v . We will use R_d as the resistance of the driver, and $c_{s_i}^s$ to denote the sink capacitance of s_i . We will use $Cap(\mathcal{S})$ as the capacitance of all the sink nodes. We will use $sink(T_v)$ to denote the set of sinks in T_v .

2.1 Interconnect Delay Models

As VLSI design reaches deep submicron technology, the delay model used to estimate interconnect delay in interconnect design has evolved from the simplistic lumped RC model to the sophisticated high order moment matching delay model. In the following, we will briefly describe a few commonly used delay models in the literature of interconnect performance optimization. Although our discussion will center around RC interconnect, some of the models are not restricted to RC interconnect. For a more comprehensive list of references on RLC interconnect, the interested reader may refer to [Pi95].

In the *lumped RC model*, “R” refers to the resistance of the driver and “C” refers to the sum of the total capacitance of the interconnect and the total gate capacitance of the sinks. The model assumes that wire resistance is negligible. This is generally true for circuits with feature sizes of $1.2\mu\text{m}$ and above since the driver resistance is substantially larger than the total wire resistance. In this case, the switching time of the gate dominates the time for the signal to travel along the interconnect and the sinks are considered to receive the signal at the same time due to the negligible wire resistance.

However, as the feature size decreases to the submicron dimension, the wire resistance is no longer negligible. Sinks that are farther from the source generally have a longer delay. For example, under the *pathlength* (or *linear*) delay model, the delay from u to v in an interconnect tree is proportional to the sum of edgelengths in the unique u - v path, i.e., $t(u, v) \propto \sum_{e_w \in \text{Path}(u, v)} |e_w|$. The limitation of the pathlength delay model is that it ignores the wire resistance but consider only wire capacitance along the path. Moreover, it ignores the effect of edges not along the path. The merit of the pathlength delay model is that routing problems for pathlength control or optimization are generally much easier than delay optimization under more sophisticated delay models to be presented below.

The delay models presented in the remainder of this section consider both wire resistance and capacitance of the interconnect. Under these models, the interconnect is modeled as an RC tree, which is recursively defined as follows [RuPH83]: (i) a lumped capacitor between ground and another node is an RC tree, (ii) a lumped resistor between two nonground nodes is an RC tree, (iii) an RC line with no dc path to ground is an RC tree, and (iv) any two RC trees (with common ground) connected together to a nonground node is an RC tree. We can extend the above definition for RLC tree easily by considering inductors and RLC lines.

Given an RC tree, Rubinstein, Penfield, and Horowitz [RuPH83] compute a *uniform upper bound* of signal delay at every node, denoted t_P , as follows:

$$t_P = \sum_{\text{all nodes } k} R_{kk} \cdot C_k, \quad (1)$$

where C_k is the capacitance of the lumped capacitor at node k and R_{ki} is defined to be the resistance of the portion of the (unique) path $\text{Path}(s_0, i)$ that is common with the (unique) path $\text{Path}(s_0, k)$. In particular, R_{kk} is the resistance between the source and node k . There are a few advantages of this model: (i) it is simple, yet still captures the distributed nature of the circuit; (ii) it gives a uniform delay upper bound and is easier to use for interconnect design optimization; (iii) it correlates reasonably well with the Elmore delay model, which will be discussed next.

The *Elmore delay model* [El48] is the most commonly used delay model in recent works on interconnect design. Under the Elmore delay model, the signal delay from source s_0 to node i in an RC tree is given by [RuPH83]:

$$t(s_0, i) = \sum_{\text{all nodes } k} R_{ki} \cdot C_k. \quad (2)$$

Unlike the upper bound signal delay model in Eqn. (1), each sink (and in fact, all nodes in the RC tree) has a separate delay measure under the Elmore delay model. It is used to estimate the 50% delay of a monotonic step response (to a step input) by the mean of the impulse response, which is given by $\int_0^\infty t \cdot h(t) dt$ where $h(t)$ is the impulse response. The impulse response $h(t)$ can be viewed as either (i) the response to the unit impulse (applied at time 0) at time t , or (ii) the derivative of the unit step response at time t . The 50% delay, denoted t_{50} , is the time for the monotonic step response to reach 50% of V_{DD} , and it is the

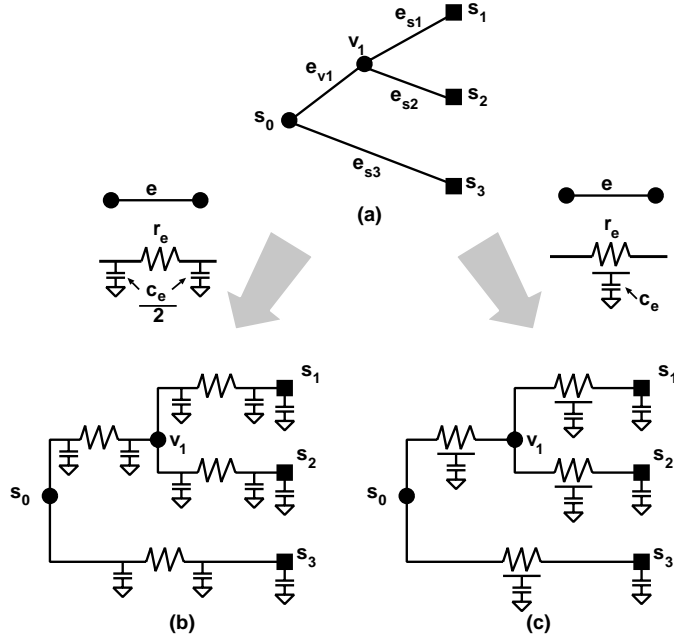


Figure 2: Modeling of an interconnect tree as an RC tree: (a) an interconnect tree, (b) each edge is modeled as a π -type circuit, and (c) each edge is modeled as an RC line.

median of the impulse response.¹ It can be shown that the Elmore delay gives the 63% ($= 1 - 1/e$) delay of a simple RC circuit (with a single resistor and a single capacitor), which is an upper bound of the 50% delay. In general, the Elmore delay of a sink in an RC tree is a (loose) absolute upper bound on the actual 50% delay of the sink under the step input [GuTK95].

The main advantage of the Elmore delay is that it provides a simple closed-form expression with greatly improved accuracy for delay measure compared to the lumped RC model. In the following, we illustrate that the Elmore delay can be expressed as a simple algebraic function of the geometric parameters of the interconnect, i.e., the lengths and widths of edges, and parasitic constants such as the sheet resistance, unit wire area capacitance and unit fringing capacitance of the interconnect.

Consider an interconnect T in Figure 2. To model an interconnect as an RC tree, an edge e in the interconnect in (a) can be modeled as a π -type circuit with a lumped resistor of resistance r_e and two capacitors, each of capacitance $c_e/2$, where r_e and c_e are the wire resistance and capacitance of edge e as shown in (b). Other lumped circuit models such as L - and T -type circuits may be used to model an edge as well [Ba90]. It is also possible to model an edge as a distributed RC line as shown in (c).

In the case of each wire segment modeled as a π -type circuit as in Figure 2(b), we can write the Elmore delay from the source to sink s_i in terms of the geometry of the interconnect, i.e., $|e|$ and w_e , and the parasitics of the interconnect as follows [CoLe95, CoKo94]:

$$t(s_0, s_i) = \sum_{e_v \in Path(s_0, s_i)} r_{e_v} \cdot (c_{e_v}/2 + Cap(v))$$

¹In general, the $x\%$ delay, denoted t_x , is the delay time for the signal to reach $x\%$ of V_{DD} .

$$\begin{aligned}
&= \frac{r \cdot c_a}{2} \cdot \sum_{e_v \in \text{Path}(s_0, s_i)} |e_v|^2 + \frac{r \cdot c_f}{2} \cdot \sum_{e_v \in \text{Path}(s_0, s_i)} \frac{|e_v|^2}{w_{e_v}} + r \cdot c_a \cdot \sum_{e_v \in \text{Path}(s_0, s_i)} \sum_{e_u \in \text{Des}(e_v)} \frac{|e_v| \cdot |e_u| \cdot w_{e_u}}{w_{e_v}} + \\
&\quad r \cdot c_f \cdot \sum_{e_v \in \text{Path}(s_0, s_i)} \sum_{e_u \in \text{Des}(e_v)} \frac{|e_v| \cdot |e_u|}{w_{e_v}} + r \cdot \sum_{e_v \in P(s_0, s_i)} \sum_{u \in \text{sink}(T_v)} c_u^s \cdot \frac{|e_v|}{w_{e_v}}, \tag{3}
\end{aligned}$$

where $c_v^s = c_{s_j}^s$ if sink s_j is at node v and $c_v^s = 0$ otherwise. The above algebraic expression allows analysis of how topology and wire widths affect Elmore delay, which leads to interconnect topology optimization algorithms such as [BoKR93, BoKM94] and wiresizing algorithms such as [CoLe95, Sa94, CoHe95].

The approximation of the 50% signal delay by the Elmore delay is exact only for a symmetrical impulse response, where the mean is equal to the median [GuTK95]. Although the Elmore delay model is not accurate, it has a high degree of *fidelity*: an optimal or near-optimal solution according to the estimator is also nearly optimal according to actual (SPICE-computed [Na75]) delay for routing constructions [BoKM93] and wiresizing optimization [CoHe96a]. Simulations by [CoKK95] also showed that the clock skew under the Elmore delay model has a high correlation with the actual (SPICE) skew. The same study also reported a poor correlation between the pathlength skew and the actual skew.

In fact, one can show that the Elmore delay is the first moment of the interconnect under the impulse response. More accurate delay estimation of the interconnect can be obtained using the higher orders of the moments. In the remainder of this section, we show how to compute the higher order moments efficiently and present several interconnect delay models using the higher order moments.

We first define *moments* of the impulse response of a linear circuit. Let $h(t)$ be the impulse response at a node of an interconnect (which may be an RC interconnect, an RLC interconnect, a distributed-RLC or transmission line interconnect). Let $v_{in}(t)$ be the input voltage of the linear circuit, $v(t)$ be the output voltage of a node of interest in the circuit, $V_{in}(s)$ and $V(s)$ be the Laplace transform of $v_{in}(t)$ and $v(t)$, respectively; then, $H(s) = V(s)/V_{in}(s)$ is the transfer function. Applying Maclaurin expansion to the transfer function $H(s)$, which is the Laplace transform of $h(t)$, we obtain

$$H(s) = \int_0^\infty h(t)e^{-st} dt = \sum_{i=0}^\infty \frac{(-1)^i}{i!} s^i \int_0^\infty t^i h(t) dt. \tag{4}$$

The i -moment of the transfer function m_i is related to the coefficient of the i -th power of s in Eqn. (4) by²

$$m_i = \frac{1}{i!} \int_0^\infty t^i h(t) dt. \tag{5}$$

For any linear system, the normalized transfer function can also be expressed as

$$H(s) = \frac{1 + a_1 s + a_2 s^2 + \dots + a_n s^n}{1 + b_1 s + b_2 s^2 + \dots + b_m s^m}, \tag{6}$$

where $m > n$. Expanding $H(s)$ into a power series with respect to s , we have

$$H(s) = m_0 - m_1 s + m_2 s^2 - \dots \tag{7}$$

The Elmore delay model is in fact the first moment $m_1 = \int_0^\infty t \cdot h(t) dt$ of the impulse response $h(t)$. Note that $m_1 = b_1 - a_1$ where a_1 and b_1 are terms in Eqn. (6), and it can also be shown that the upper bound delay t_P (Eqn. (1)) is in fact b_1 [RuPH83].

²From the distribution theory, the i -th moment of a function $h(t)$ is in fact defined to be $\int_0^\infty t^i h(t) dt$. In some previous works [PiRo90, MeBP95, Pi95], a variant of the moment definition $m_i = \frac{(-1)^i}{i!} \cdot \int_0^\infty t^i h(t) dt$ was used. In this case, $H(s)$ in Eqn. 7 becomes $H(s) = m_0 + m_1 s + m_2 s^2 + \dots$.

Several approaches have been proposed to compute the moments at each node of a lumped RLC tree, where the lumped resistors and lumped inductors are floating from the ground and form a tree, and the lumped capacitors are connected between the nodes on the tree and the ground [KaMu95, RaPi94, YuKu95b].

In the following, we present a method proposed by Yu and Kuh [YuKu95b] for moment computation in an RLC tree. Consider a lumped RLC tree with n nodes. Let \bar{k} be the parent node of node k , and T_k be the subtree rooted at node k . Let C_k be the capacitance connected to node k , R_k and L_k be the resistance and inductance of the branch between \bar{k} and k . Let $H_k(s) = V_k(s)/V_{in}(s)$ be the transfer function at node k , where $V_k(s)$ is the Laplace transform of the output voltage at k , denoted $v_k(t)$. Let $i_k(t)$ be the current flowing from \bar{k} to k , then its Laplace transform $I_k(s)$ is given by [YuKu95b]:

$$I_k(s) = \sum_{j \in T_k} C_j \cdot s \cdot V_j(s). \quad (8)$$

Let R_{ki} and L_{ki} be the total resistance and inductance on the portion of the path $Path(s_0, i)$ that is common with the path $Path(s_0, k)$, respectively; then, the total impedance along the common portion of paths $Path(s_0, i)$ and $Path(s_0, k)$ is $Z_{ki} = R_{ki} + s \cdot L_{ki}$. The voltage drop from root s_0 to node k is [YuKu95b]:

$$V_{in}(s) - V_k(s) = \sum_i Z_{ki} \cdot C_i \cdot s \cdot V_i(s). \quad (9)$$

Then, the transfer function $H_k(s) = V_k(s)/V_{in}(s)$ becomes [YuKu95b]:

$$H_k(s) = 1 - \sum_i Z_{ki} \cdot C_i \cdot s \cdot H_i(s). \quad (10)$$

Let m_k^p be the p -th order moment of $H_k(s)$. Expanding $H_k(s)$ and $H_i(s)$ in Eqn. (10) by the expression in Eqn. (7), and equating the coefficients of powers of s , the p -th order moment at node k under a step input can be expressed as [YuKu95b]:

$$m_k^p = \begin{cases} 0 & \text{if } p = -1, \\ 1 & \text{if } p = 0, \\ \sum_i (R_{ki} \cdot C_i \cdot m_i^{p-1} - L_{ki} \cdot C_i \cdot m_i^{p-2}) & \text{if } p > 0. \end{cases} \quad (11)$$

Let $C_{T_k}^p = \sum_{j \in T_k} m_j^p \cdot C_j$, which is the total p -th order weighted capacitance of T_k , then m_k^p (for $p > 0$) can be written recursively as [YuKu95b]:

$$m_k^p = \begin{cases} 0 & \text{if } k \text{ is the root } s_0, \\ m_k^p + R_k \cdot C_{T_k}^{p-1} - L_k \cdot C_{T_k}^{p-2} & \text{if } k \neq s_0. \end{cases} \quad (12)$$

Therefore, given the $(p-1)$ -th order and $(p-2)$ -th order moments, the p -th order moments of all nodes can be computed by first computing $C_{T_k}^{p-1}$ and $C_{T_k}^{p-2}$ in $O(n)$ time in a bottom-up fashion. Then, m_k^p can be computed in a top-down fashion for all nodes in the interconnect tree in $O(n)$ time. Therefore, the moments up to the p -th order of an RLC tree can be computed in $O(np)$ time.

For moment computation of a tree of transmission lines, several works first model each transmission line as a large number of *uniform* lumped RLC segments [PiRo90, SrKa94] and then compute the moments of the resulting RLC tree. However, this approach is usually not efficient nor accurate. Kahng and Muddu [KaMu94] showed that using 10 uniform segments to approximate the behavior of a transmission line entails errors in the first and second moments of around 10% and 20%, respectively. In [KaMu94, YuKu95b], the authors improve both accuracy and efficiency by considering non-uniform segmentation of the transmission line. Yu and Kuh [YuKu95b] found that for exact moment computation of up to the p -th order, each transmission line

should be modeled by $\lceil 3p/2 \rceil$ non-uniform lumped RLC segments. Combining the non-uniform lumped RLC segment model by [KaMu94, YuKu95b] with the moment computation algorithm by [YuKu95b], the moments of a transmission line tree interconnect up to the order of p can be computed in $O(np^2)$ time, where n is the number of nodes in the tree. Another work of Yu and Kuh [YuKu95a] computes the moments of a transmission line tree interconnect directly, without first performing non-uniform segmentation of the transmission lines. This algorithm also has a computational complexity of $O(np^2)$.

Higher order moments are extremely useful for circuit analysis. In general, higher order moments can be used to improve the accuracy of delay estimation. For example, Krauter et al. [KrGW95] proposed metrics based on the first three *central moments*, which are the moments of the distribution of the impulse response. From the distribution theory, the second central moment provides a measure of the spread of $h(t)$ and the third central moment measures the skewness of $h(t)$. Since the accuracy of the Elmore delay is affected by the spread and skewness of the impulse distribution, the three central moments may be used to reduce the relative errors of Elmore delay [GuTK95].³

Another advantage of using higher order moments for circuit analysis is that it can handle the inductance effect. When the operating frequencies of VLSI circuits are in the giga-hertz range and the dimension of interconnect is comparable to the signal wavelength, inductance plays a significant role in signal delay and signal integrity. An inherent shortcoming of the Elmore delay model and other simpler delay models is that they cannot handle the inductance effect.

The *Asymptotic Waveform Evaluation* (AWE) method proposed by Pillage and Rohrer [PiRo90] is an efficient technique to use higher order moments in interconnect timing analysis which can handle the inductance effect. It constructs a q -pole transfer function $\hat{H}(s)$, called the *q-pole model*,

$$\hat{H}(s) = \sum_{i=1}^q \frac{k_i}{s - p_i}, \quad (13)$$

to approximate the actual transfer function $H(s)$, where p_i are poles and k_i are residues to be determined. The corresponding time domain impulse response is

$$\hat{h}(t) = \sum_{i=1}^q k_i e^{p_i t}. \quad (14)$$

The poles and residues in $\hat{H}(s)$ can be determined uniquely by matching the initial boundary conditions, denoted m_{-1} , and the first $2q - 1$ moments m_i of $H(s)$ to those of $\hat{H}(s)$ [PiRo90]. The choice of order q depends on the accuracy required but is always much less than the order of the circuit. In practice, $q \leq 5$ is commonly used.

When q is chosen to be two, it is known as the *two-pole model* [Ho84, ZhTG93, GaZh93, ZhST93, ZhST94]. In this model, the first three moments m_0 (which is normalized), m_1 , and m_2 are used. A closed-form expression of m_2 is given and an analytical formula relating the performance of an RLC interconnect to its topology and geometry is derived by Gao and Zhou [GaZh93]. This provides a closed-form formula for the topology optimization algorithm in [ZhTG93]. However, the expression of m_2 is much more complicated than that of m_1 (the Elmore delay). Moreover, the method of [Ho84, GaZh93, ZhST94] calculates the second moment by replacing the off-path admittance by the sum of the total subtree capacitance. This is correct only to the coefficient of s in the subtree admittance. Thus, such a method underestimates the subtree impedance. As a result, the response obtained is a lower bound of the actual response, and the delay estimate is an upper bound on the actual delay. To compute the

³The three moments were also used to detect underdamping, determine the conditions of critical damping for series terminated transmission line nets, and estimate the delay of the properly terminated line [KrGW95].

second moment exactly, the admittance of off-path subtrees must be calculated correctly up to the coefficient of s^2 . This was done in [KaMu95, KaMu96b, YuKu95b].

Based on the two-pole methodology, Kahng and Muddu [KaMu96b] derived an analytical delay model for RLC interconnects. Consider a source driving a distributed RLC line with total resistance R_L , total inductance L_L , and total capacitance C_L . The source is modeled as a resistive and inductive impedance ($Z_d = R_d + s \cdot L_d$). The load C_T at the end of the RLC line is modeled as a capacitive impedance ($Z_T = \frac{1}{sC_T}$). The transfer function is truncated to be [KaMu96b]

$$H(s) \approx \frac{1}{1 + b_1s + b_2s^2}, \quad (15)$$

where

$$\begin{aligned} b_1 &= R_dC_L + R_LC_T + \frac{R_LC_L}{2} + R_LC_T, \\ b_2 &= \frac{R_dR_LC_L^2}{6} + \frac{R_dR_LC_LC_T}{2} + \frac{(R_LC_L)^2}{24} + \frac{R_L^2C_LC_T}{6} + L_dC_L + L_dC_T + \frac{L_LC_L}{2} + L_LC_T. \end{aligned}$$

The first and second moments m_1 and m_2 can be obtained from b_1 and b_2 , i.e., $m_1 = b_1$ and $m_2 = b_1^2 - b_2$. The authors separately derive the sink delay at the load C_T , denoted t_T , from the two-pole response depending on the sign of $b_1^2 - 4b_2$ [KaMu96b]:

$$t_T = \begin{cases} K_r \cdot \frac{m_1 + \sqrt{4m_2 - 3m_1^2}}{2} & \text{if } b_1^2 - 4b_2 > 0, \text{ i.e., real poles} \\ K_c \cdot \frac{2(m_1^2 - m_2)}{\sqrt{3m_1^2 - 4m_2}} & \text{if } b_1^2 - 4b_2 < 0, \text{ i.e., complex poles} \\ K_d \cdot \frac{m_1}{2} & \text{if } b_1^2 - 4b_2 = 0, \text{ i.e., double poles} \end{cases}$$

where K_r , K_c , and K_d are functions of b_1 and b_2 as described in [KaMu96b]. The model is further extended to consider RLC interconnection trees [KaMu96b] and ramp input [KaMM96].

While the methods in [KaMu96b, KaMM96] used only the first two moments, Tutuianu, Dartu, and Pileggi [TuDP96] proposed an explicit RC-circuit delay approximation based on the first three moments of the impulse response. The model uses the first three moments (m_1 , m_2 , and m_3) to determine stable approximations of the first two *dominant* poles p_1 and p_2 of $H(s)$. By matching the first two moments of the actual transfer function, the two residues k_1 and k_2 can be obtained. The explicit approximation of the delay point is a single Newton-Raphson iteration step, using the first order delay estimate (which can be expressed in terms of the poles and residues) as the initial guess. The reader is referred to [TuDP96] for the exact expressions of p_1 , p_2 , k_1 , k_2 , and the delay function.

2.2 Driver Delay Models

In interconnect-driven layout designs, gates/buffers need to be optimized according to the interconnect load. Moreover, the design of a gate/buffer also affects the interconnect design and optimization considerably. It is common that each gate or buffer has a set of implementations with varying driving capabilities. These implementations are normally characterized by input (gate) capacitance, effective output (driver) resistance, denoted R_d , and internal delay, derived from either analytical formulas or circuit simulation.

In the following, we collectively refer to gates, buffers and even transistors as drivers. Given an input signal, we are interested in modeling the response waveform of a gate, buffer, or transistor at the output of the driver. We define the *fall time*, denoted t_f ,

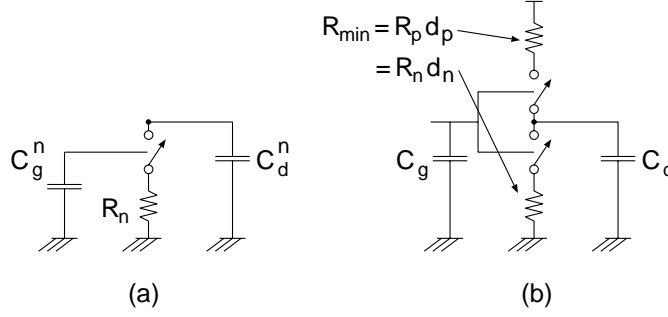


Figure 3: A switch-level RC model of (a) an n-transistor and (b) an inverter with equal pull-up and pull-down strength by adjusting the p- and n-transistor sizes d_p and d_n , respectively.

as the time for the response waveform to fall from 90% to 10% of its steady-state value. The delay time for the falling signal, denoted t_{df} , is the time difference between input transition (50%) and the 50% output level. Similarly, we can define the *rise time*, denoted t_r , and the delay time for the rising signal, denoted t_{dr} . We use t_d to denote delay time for the signal if we do not distinguish between rising and falling signal. In general, the input has an input transition time, denoted t_t , which is the input rise or fall time.

We first use a transistor to illustrate the *simple switch-level RC model*, where a transistor is modeled as an effective resistance discharging or charging a capacitor [WeEs93]. Figure 3(a) shows a simple switch-level RC model of an n-transistor. Let the minimum n-transistor resistance be R_n . The gate capacitance and output diffusion capacitance of the minimum n-transistor are denoted C_g^n and C_d^n , respectively. We normalize the transistor size such that a minimum-size transistor has unit size.

In the *simple switch-level RC model*, for an n-transistor of size $d \geq 1$, its effective resistance R_d is R_n/d . The capacitances are directly proportional to the transistor sizes, i.e., the gate capacitance is $C_g^n \cdot d$ and the diffusion capacitance is $C_d^n \cdot d$. Assuming a step input, the fall time of the signal at the gate output is given by [WeEs93]:

$$t_f = k \cdot \frac{C_L}{\beta_{min}^n \cdot d \cdot V_{DD}}, \quad (16)$$

where k is typically in the range of 3 to 4 for values of V_{DD} in the range of 3 to 5, β_{min}^n is the gain factor for the minimum n-transistor, and C_L is the loading capacitance driven by the transistor. The delay time for the falling signal can be approximated to be $t_{df} = t_f/2$ [WeEs93]. Note that since the effective resistance R_d is proportional to $1/\beta_{min}^n \cdot d$, we can simply approximate t_{df} by the product of the effective transistor resistance and the loading capacitance C_L . The above discussion can be applied to a p-transistor by simply replacing the superscript n by p and the fall time by the rise time.

An inverter consists of an n-transistor and a p-transistor, and can be modeled by the simple switch-level RC model as shown in Figure 3(b). The output capacitance of the inverter is the sum of the diffusion capacitances due to the p- and n-transistors. Similarly, the input gate capacitance of the inverter is the sum of the gate capacitances due to both transistors. It is a common practice to size the p- and n-transistors in the inverter to a fixed ratio, called the p/n ratio. In this case, the size of an inverter is defined to be the scaling factor with respect to the minimum-size inverter (with the fixed p/n ratio). Other CMOS gates can be modeled similarly.

A shortcoming of the simple RC model is that it cannot deal with the shape of the input waveform. In practice, the effective

resistance of a transistor depends on the waveform on its input. A sharp input transition allows the full driving power of the driver to charge or discharge the load and therefore results in a smaller effective resistance of the driver. On the other hand, a slow transition results in a larger effective resistance of the driver. Hedenstierna and Jeppson [HeJe87] consider input waveform slope and provide the following expression for the delay time of a falling signal:

$$t_{df} = t_f/2 + \frac{t_i}{6} \cdot \left(1 + 2 \frac{V_{th}^n}{V_{DD}}\right), \quad (17)$$

where t_i is the input transition time (more specifically, the input rise time in this case) and V_{th}^n is the threshold voltage of n-transistor.

In the *slope model* (first proposed by Pilling and Skalnik [PiSk72]), a one-dimensional table for the effective driver resistance based on the concept of rise-time ratio is proposed by Ousterhout [Ou84]. The effective resistance of a driver depends on the transition time of the input signal, the loading capacitance, and the size of the driver. In the slope model, the output load and transistor size are first combined into a single value called the *intrinsic rise-time* of the driver, which is the rise-time at the output if the input is a step-function. The input rise-time of the driver is then divided by the intrinsic rise-time of the driver to produce the *rise-time ratio* of the driver. The effective resistance is represented as a piece-wise linear function of the rise-time ratio and stored in a one-dimensional table. Given a driver, one first computes its rise-time ratio and then calculates its effective resistance R_d by interpolation according to its rise-time ratio from the one-dimensional table. The driver rise-time delay is computed by multiplying the effective resistance with the total capacitance. Similarly, we can have a look-up table for the fall-time ratio of the driver.

Another commonly used driver delay model pre-characterizes the driver delay of each type of gate/buffer in terms of the input transition time t_i , and the total load capacitance C_L in the following form of *k-factor equations* [WeEs93, QiPP94]:

$$t_{df} = (k_1 + k_2 \cdot C_L) \cdot t_i + k_3 \cdot C_L^3 + k_4 \cdot C_L + k_5, \quad (18)$$

$$t_f = (k'_1 + k'_2 \cdot C_L) \cdot t_i + k'_3 \cdot C_L^2 + k'_4 \cdot C_L + k'_5, \quad (19)$$

where $k_{1..5}$ and $k'_{1..5}$ are determined based on detailed circuit simulation (e.g. using SPICE [Na75]) and linear regression or least square fits. Similar *k-factor equations* can be obtained for the delay and rise time of the rising output transition.

More generally, a look-up table can be used to characterize the delay of each type of gate. A typical entry in the table can be of the following form: $\{(t_{df}, t_f), t_i, C_L\}$. Given an input transition time t_i and an output loading capacitance, the look-up table for a specific gate provides the delay and rise/fall time. The table look-up approach can be very accurate, but it is costly to compute and store a multi-dimensional table.

All these driver delay models use the loading capacitance for delay computation. In the first order approximation, the loading capacitance is simply computed as the total capacitance of the interconnect and the sinks (Figure 4(a) and (b)). However, not all the capacitance of the routing tree and the sinks are seen by the driver due to the *shielding effect* of the interconnect resistance, especially for fast logic gates with lower driver resistance. Qian, Pullela, and Pileggi [QiPP94] proposed the *effective capacitance model* which first uses a π -model [OBSa89] to be discussed next (Figure 4(c)) to better approximate the driving point admittance at the root of the interconnect (or equivalently, the output of the driver), and then compute iteratively the “effective capacitance” seen by the driver, denoted C_{eff} , using the *k-factor equations*.

In [OBSa89], O’Brien and Savarino construct the π -model load of an interconnect using the first three moments y_1, y_2 and

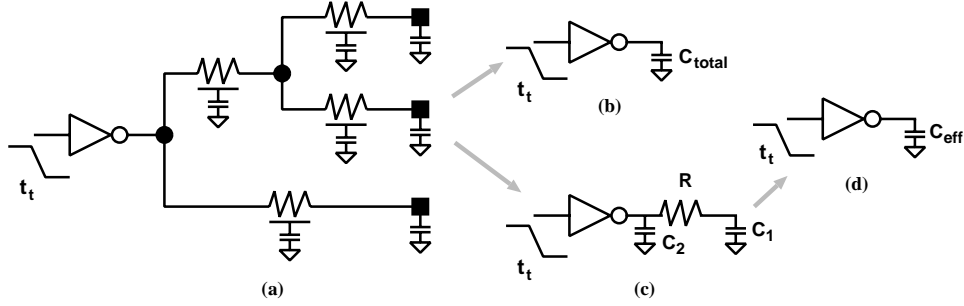


Figure 4: (a) An inverter driving an RC interconnect. (b) The same inverter driving the total capacitance of the net in (a). (c) A π -model of the driving point admittance for the net in (a). (d) The same inverter driving the effective capacitance of the net in (a). The input signal has a transition time of t_t .

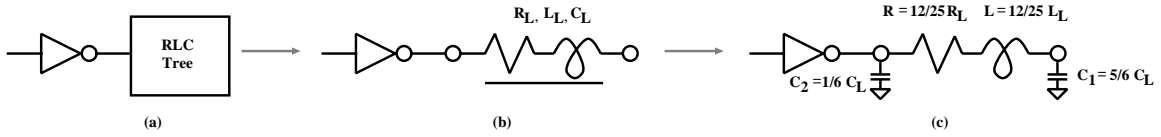


Figure 5: An open-ended RLC line to capture an RLC interconnect tree, and the RLC π model.

y_3 of the driving point admittance. The three moments of the driving point admittance are computed recursively in a bottom-up fashion, starting from the leaf nodes of the interconnect. The π -segment is characterized by C_1 , C_2 and R which are computed as follows:

$$C_1 = y_2^2/y_3, \quad C_2 = y_1 - (y_2^2/y_3), \quad R = -(y_3^2/y_2^3). \quad (20)$$

For an unbranched uniform distributed RC segment, C_1 , C_2 and R are $5C_L/6$, $C_L/6$ and $12R_L/25$, respectively, where C_L is the total capacitance of the line and R_L is the total resistance of the line. Simulation results show that the response waveform obtained using the π -model is very close to the response waveform of the actual interconnect at the gate output [OBSa89].

Kahng and Muddu [KaMu96a] further simplify the modeling of the interconnect tree. They equate it to an open-ended RLC line with resistance R_L , inductance L_L , and capacitance C_L which are equal to the total interconnect resistance, inductance, and capacitance, respectively as shown in Figure 5(b). It was in turn simplified to a π -model with $C_1 = 5C_L/6$, $C_2 = C_L/6$, $R = 12R_L/25$, and $L = 12L_L/25$ (Figure 5(c)) by matching the first three moments of the driving point admittance of the RLC line. It was shown that this simple open-ended RLC π model gives gate delay and rise/fall time which are within 25% of SPICE delays [KaMu96a].

The π -models computed above are usually incompatible with the commonly used k -factor equations, the slope model, and the table look-up method since these driver delay models assume a single loading capacitance. [QiPP94] proposed to compute an “effective capacitance” iteratively from the parameters R , C_1 and C_2 in the π -model (Figure 4(c) and (d)) using the following

expression:

$$C_{eff} = C_2 + C_1 \cdot \left[1 - \frac{R \cdot C_1}{t_D - t_x/2} + \frac{(R \cdot C_1)^2}{t_x(t_D - t_x/2)} \cdot e^{-\frac{(t_D - t_x)}{R \cdot C_1}} \cdot (1 - e^{-\frac{t_x}{R \cdot C_1}}) \right], \quad (21)$$

where $t_D = t_{df} + t_t/2$ and $t_x = t_D - t_f/2$, and t_{df} and t_f can both be obtained from the k -factor equations in terms of the effective capacitance and the input transition t_t . The iteration starts with using the total interconnect and sink capacitance as the loading capacitance C_L to get an estimate of t_D and t_x through the k -factor equations. A better estimate of the effective capacitance is computed using Eqn. (21) and it is used as the loading capacitance for the next iteration of computation. The process stops when the value of C_{eff} does not change in two successive iterations.

[QiPP94] also observes that the slow decaying tail portion of the response waveform is not accurately captured by the effective capacitance model. This is due to the CMOS gate behaving like a resistor to ground beyond some timepoint t_s , and its interaction with a π -model load yielding a vastly different response than the effective capacitance. Therefore, [QiPP94] uses the effective capacitance model to capture the initial delay and a resistance model (R -model) to capture the remaining portion of the response. They calculate the effective driver resistance by [QiPP94] (Figure 6):

$$R_d = \frac{t_{80} - t_s}{C_{eff} \ln \frac{v(t_s)}{v(t_{80})}}, \quad (22)$$

where t_{80} is the 80% point delay computed by the k -factor equations and $v(t_s)$ can be estimated from the C_{eff} model. The computation of t_s is given in [QiPP94]. Then, the voltage response at the gate output after time t_s can be expressed as a double exponential approximation [QiPP94]:

$$v_2(t) = \alpha_1 e^{p_1(t-t_s)} + \alpha_2 e^{p_2(t-t_s)}, \quad (23)$$

where α_1 , α_2 , p_1 , and p_2 can be obtained from R_d , the π -model parameters (R , C_1 , and C_2), and the initial conditions on the π -model as described in [QiPP94]. Note that the driver resistance R_d , together with t_{dr} and t_r (or t_{df} and t_f) computed by the k -factor equations, and the RC interconnect, can be used to estimate the input transition time and delay for the sinks using models described in Section 2.1.

The models described above are used mostly in the works on wiresizing optimization since an accurate estimate of the driver resistance prevents oversizing of the wire widths. They are also crucial in the works that consider sizing of drivers, together with the optimization of the interconnect.

3 Topology Optimization for High Performance Interconnect

In this section we address the problem of topology optimization for high performance interconnect. Two major design goals must be considered for this problem: the minimization of total interconnect wire length, and the minimization of path length or signal delay from a driver to one or several timing-critical sinks.

Wire length minimization is of interest for the following reasons.

- When the wire resistance is negligible compared to the driver resistance, minimization of total wire capacitance (and hence, net wire length) provides near optimal performance with respect to delay[CoLZ93].

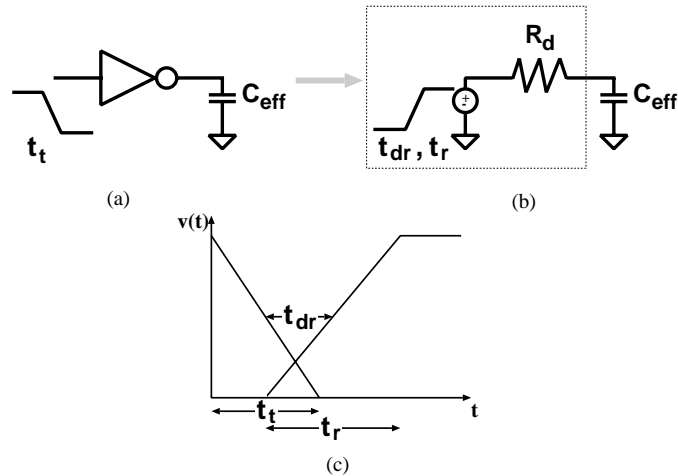


Figure 6: Compute the effective resistance from the 50% and 90% points.

- Even when wire resistance is considered, the total wire capacitance still contributes a significant factor to interconnect delay[CoLZ93].
- Interconnect wiring contributes to circuit area. Reduction of wire length reduces circuit area, lowering manufacturing costs and increasing fabrication yield.
- Wire capacitance contributes significantly to switching power. Reduction of wire length also reduces power consumption and the amount of energy to be dissipated.

From the discussion of delay models in the previous section, one can conclude that for interconnect topology optimization, of major concern are the total wire length and the resistance of the paths from the driver to the critical sinks. Therefore, high performance interconnect topologies must strike a balance between path length and tree length optimization.

We will first address the minimization of interconnect tree length, a problem which has been widely studied by both the VLSI design community and by researchers in many other areas of computer science. While these methods do not explicitly address delay concerns, they form the foundations of many algorithms for delay optimization.

We next consider the optimization of interconnect topologies for critical nets in cases where the interconnect resistance is not negligible. In general, we are interested in reducing the path length or resistance from the source to the timing critical sinks, while avoiding a large penalty in the total tree length. We first survey works which provide “geometrical” approaches to topology construction, addressing the problem of path length minimization from a source to critical sinks. We then consider methods designed for the “physical” model, in which VLSI fabrication parameters and physical delay models influence the net topologies.

Many of the early problems and algorithms on interconnect topology optimization surveyed in this section are discussed in depth in [KaRo94], which is highly recommended to the reader who is interested to know more details of the results presented here.

3.1 Topology Optimization for Total Wirelength Minimization

A problem central to any area of interconnect optimization is the minimization of the wirelength of a net. Research on the construction of *Minimum Spanning Trees (MST)* and *Steiner Minimal Trees (SMT)* is directly applicable to problems in VLSI interconnect design. Note that we use the abbreviation *SMT* for Steiner Minimal Trees to avoid ambiguity with the abbreviation *MST*.

3.1.1 Minimum Spanning Trees

The *MST* problem involves finding a set of edges E which connect a given set of points P with minimum total cost. Two classic algorithms solve this problem optimally. Kruskal's algorithm[Kr56] begins with a forest of trees (the singleton vertices), and iteratively adds the lowest cost edge which connects two trees in the current forest (forming a new tree), until only a single tree which connects all points in P remains. Prim's algorithm[Pr57] starts with an arbitrary node as the root of a partial tree, and grows the partial tree by iteratively adding an unconnected vertex to it using the lowest cost edge, until no unconnected vertex remains. Both algorithms construct *MSTs* with the minimum total cost. For a problem with n vertices, we can construct a Voronoi diagram[LeWo80] to constrain the number of edges to be considered by the two algorithms to be linear with n . With this constraint on the number of edges, both algorithms can be made to run in $O(n \log n)$ time. Naive implementations have slightly higher complexity. We use $MST(P)$ to denote the minimum spanning tree of point set P .

3.1.2 Conventional Steiner Tree Algorithms

MST constructions are restricted to direct connections between the pins of a net, which is not necessary in VLSI design. Interconnect topology construction is in fact a rectilinear Steiner tree problem, which has been studied extensively outside the VLSI design community, and goes well beyond the scope of this paper. We will discuss several typical and commonly used algorithms here, and recommend a more detailed survey by Hwang and Richards[HwRi92] to the interested reader.

The Steiner problem is defined as follows: Given a set P of n points, find a set S of *Steiner points* such that $MST(P \cup S)$ has the minimum cost. For interconnect optimization problems, the set P consists of the pins of a net. Note that the inclusion of additional points to the spanning tree can reduce the total tree length.

While the *MST* problem can be solved optimally in polynomial time, construction of a *SMT* is NP-hard for graphs, and for both rectilinear and Euclidean distance metrics[GaJo79]. We shall present several effective *SMT* heuristics for the rectilinear distance metric, which is most relevant to VLSI interconnect design.

Clearly the set of potential Steiner points is infinite. For the rectilinear metric, however, Hanan[Ha66] showed that the set of Steiner points which need to be considered in the construction of a *SMT* can be limited to the "Hanan grid," formed by the intersections of vertical and horizontal lines through the vertices of the initial point set. Given this observation, optimal *SMT* algorithms which utilize branch-and-bound techniques can be constructed, but these algorithms have exponential complexity and are applicable to only small problems. Given that construction of an optimal *SMT* is NP-hard, it is natural to look for heuristics. An interesting result, due to Hwang[Hw76], is that the ratio of tree lengths between a rectilinear *MST* and a rectilinear *SMT* is no worse than $\frac{3}{2}$. The bounded performance of *MST* constructions has made the Prim and Kruskal algorithms popular as the basis of Steiner tree heuristics. We choose to present three general heuristic approaches which are effective and commonly used for

SMT construction. One approach uses “edge merges,” a second involves iterative Steiner point insertion, and a third involves iterative edge insertion and cycle removal.

Many Steiner tree heuristics follow the general approach of improving an initial Minimum Spanning Tree by a series of edge merges. For a pair of adjacent edges in a spanning tree, there is the possibility that by merging portions of the two edges, tree length can be reduced. An example of this is shown in Figure 7. There may be more than one way in which edges can be merged; the selection of edges and the order of their merging is a central concern of many Steiner tree heuristics.

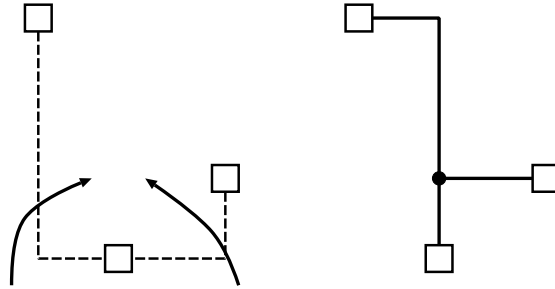


Figure 7: A conventional spanning tree improvement through the merging of edges.

The best known example of this approach is that of Ho, Vijayan, and Wong[HoVW90]. They first compute a *separable MST* in which no pair of non-adjacent edges have overlapping bounding boxes. They showed that for any point set P , there exists a separable *MST* on P . Given a separable *MST*, their method constructs the optimal length *SMT* that can be achieved by edge merging. Examples of non-separable and separable *MST*s are shown in Figure 8.

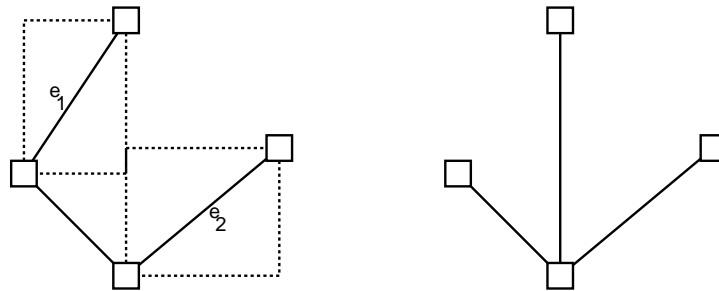


Figure 8: Non-separable and separable *MST*s. In the first example, the bounding boxes of non-adjacent edges e_1 and e_2 intersect. The second example shows a separable *MST* for the same point set.

A separable *MST* can be computed through a variant of Prim’s algorithm. The three-tuple $(d(i, j), -|y_i - y_j|, -\max(x_i, x_j))$ is used to weight each edge for *MST* construction. Since the edge weights are compared under the lexicographic order, the total cost of a separable *MST* will be equal to that of an ordinary *MST*.

Given a separable *MST*, the authors then find the *optimal* orientation of edges to maximize the amount of overlap obtained by edge merging (minimizing the total tree cost of the derived Steiner tree). Marking an arbitrary leaf node as the root, a recursive process is used to determine the orientation of edges in each subtree, from bottom to top. At any level, only a constant number of possibilities need be considered, resulting in a linear time algorithm. The algorithm obtains an improvement of roughly 9% over *MST* tree cost on average.

While improvement of an *MST* through edge merging can be effective at minimizing tree length on average, there exist pathological cases in which merge-based Steiner heuristics can exhibit the worst case performance[KaRo92]. In Figure 9, one such case is shown. For this point set, the tree constructed by any *MST* algorithm is unique. Traditional merge-based heuristics have relatively little gain, as only the three leftmost edges will be able to merge. The optimal Steiner tree, however, has significantly lower wirelength. The ratio of tree lengths of a merge-based heuristic and an optimal Steiner tree can be arbitrarily close to the $\frac{3}{2}$ bound.

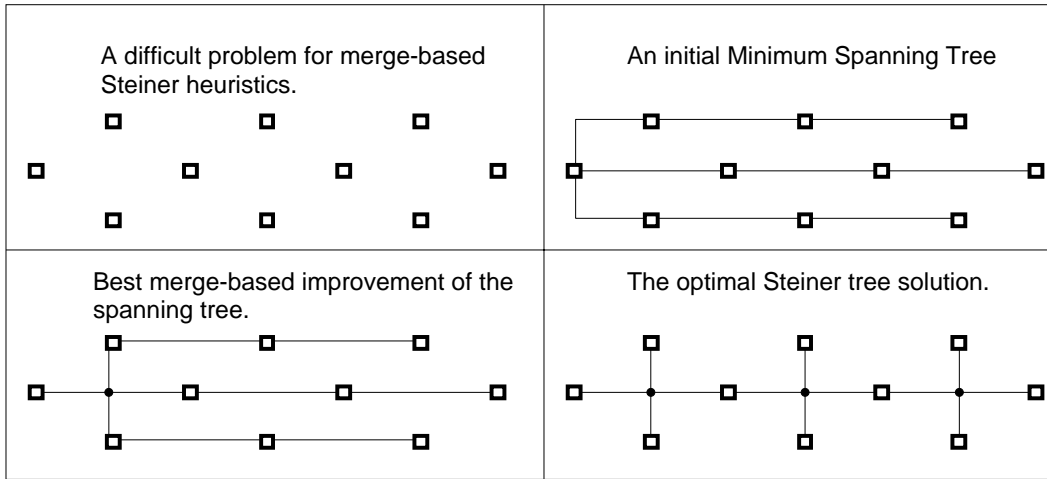


Figure 9: A pathological case for conventional merge-based Steiner tree heuristics. The minimum spanning tree for the vertices is unique, resulting in limited improvement through edge merging.

In [GePa87], Georgakopoulos and Papadimitriou considered the *1-Steiner* problem, which is to find a point s such that $|MST(P)| - |MST(P \cup s)|$ is maximized. The point s is known as a “1-Steiner point.” The authors presented an $O(n^2)$ method to determine this point for the Euclidean plane. Kahng and Robins[KaRo92] adapted this result for the rectilinear metric, and presented the *Iterated 1-Steiner* heuristic. This algorithm represents our second heuristic class, and constructs a Steiner tree through iterative point insertion. At each step, a 1-Steiner point is added to the point set, until no Steiner point can be found to reduce the *MST* length. The algorithm is explained in Figure 10. The same method was proposed for general graphs earlier[Mi90].

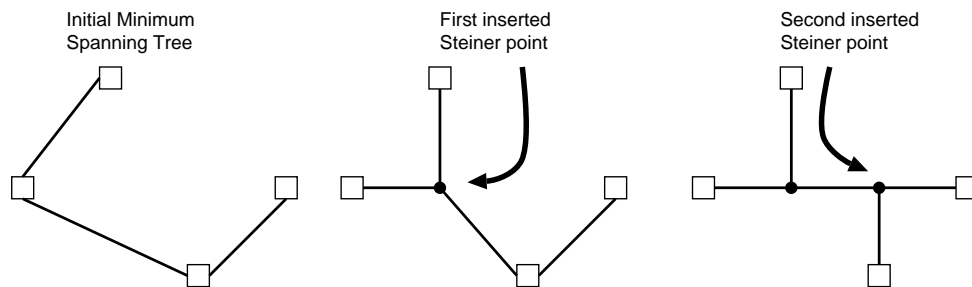


Figure 10: A *1-Steiner* construction. Starting from an initial minimum spanning tree, a single Steiner point is inserted iteratively, until no further improvement can be found.

The *1-Steiner* algorithm has very good performance in terms of wirelength minimization; on random point sets, the trees

generated by this algorithm are 11% shorter than *MSTs* on average. The best possible improvement is conjectured to be roughly 12% on average[Be88], so the *1-Steiner* algorithm is considered to be very close to optimal. While this algorithm constructs trees which are close to optimal in terms of length, it suffers from relatively high complexity. A sophisticated implementation is $O(n^3)$, while a naive approach may be $O(n^5)$; this may make it impractical for problems with large numbers of vertices.

The third approach we discuss is an *MST* based heuristic by Borah, Owen, and Irwin[BoOI94]. It produces results that are comparable to the 1-Steiner algorithm, but with a complexity of only $O(n^2)$. Rather than optimizing a *MST* by merging edges, their method improves an initial *MST* by finding the shortest edge between a vertex and any point along an *MST* edge. If the edge is inserted, a cycle is generated; removal of the longest edge on this cycle may result in a net decrease in tree length. The algorithm operates in a series of passes. For each vertex, the shortest connection to an existing edge is determined, and the improvement of inserting the connection and then breaking the cycle is determined. In one pass, candidate modifications for *all* nodes are determined, and then are implemented (if possible) according to the decreasing order of their gains. After all modifications have been made, the algorithm makes another pass, until no gain can be found. This algorithm is explained in Figure 11.

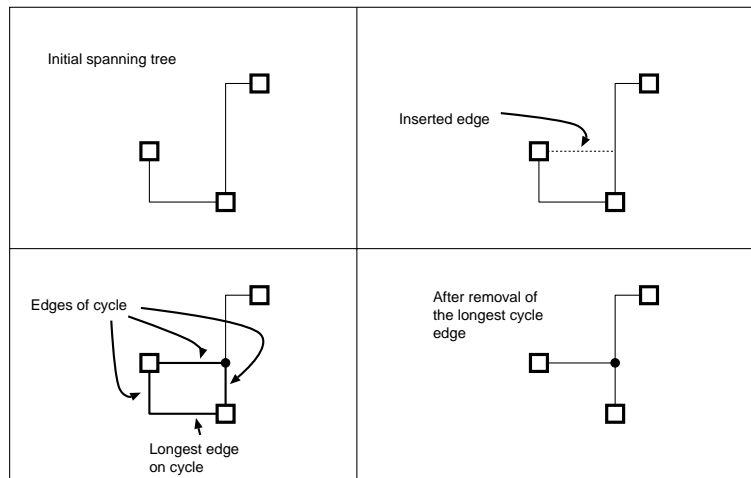


Figure 11: A Steiner heuristic which inserts a redundant edge between a node and a tree edge. For each node, the nearest location on a non-adjacent edge is determined, and the gain obtained by insertion of a new edge, and removal of a redundant edge, is determined.

As there are $O(n)$ vertices and edges, determination of the shortest distance from any edge to a vertex is no worse than $O(n)$. For each candidate edge, the most costly edge on the generated loop can be determined with a linear-time search. Thus, determination of candidate modifications is no worse than $O(n^2)$. The number of passes required is generally very small, with cases where more than four passes are required being rare. The authors noted that the algorithm complexity can be improved to $O(n \log n)$ through the use of more complex data structures and algorithms.

3.2 Topology Optimization for Path Length Minimization

If we wish to reduce the delay from a net driver to a critical sink, and the interconnect resistance between the two is significant, an obvious approach is to reduce this resistance. Assuming uniform wire width, constraining path lengths between source and sink clearly realizes this goal.

In this subsection, we discuss approaches to delay minimization through the “geometric” objective of path length reduction or minimization.

3.2.1 Tree Cost/Path Length Tradeoffs

Cohoon and Randal[CoRa91] presented an early work which addressed the problem of constructing interconnect trees for the VLSI domain, considering path length while not requiring shortest paths. Their heuristic method attempts to construct a *Maximum Performance Tree (MPT)*, defined as a tree which has minimum total length among trees with optimized source-to-sink path lengths. Their method consists of three basic steps: trunk generation, net completion, and tree improvement.

In their study, the authors observed that trees which had relatively low path lengths usually had “trunks,” monotonic paths from the source to distant sinks. Other sink vertices generally were connected to a trunk at a nearby location. Trunk generation consists of constructing paths from the source to the most distant sinks. Five methods of trunk generation were studied. Four involve the insertion of an S-shaped three segment monotonic path from the source to a distant sink. The middle segment location is determined by finding either the mean or median of the point set. The fifth method constructs trunks by building a rectilinear shortest path tree on the graph, and then keeping the paths derived for the most distant sinks as the basis of the *MPT*.

Net completion involves the attachment of the remaining sink vertices to the trunks that have been formed. The authors use three techniques: a rectilinear *MST (RMST)* algorithm, a rectilinear Shortest Path Tree (*RSPT*) algorithm, and a hybrid of the two. The hybrid works as follows: if the *RMST* connection of a sink does not result in a path length greater than the radius of the net, the connection is used; otherwise, an *RSPT* connection is used. For each connection, the edge routing which results in the maximum overlap with the existing tree is selected, and the edges are merged.

Tree improvement involves a series of edge merges (similar to the merge-based Steiner tree heuristics of [HoVW90], described in Section 3.1.2) and edge insertions and deletions. The operations are performed such that the path length from the source to the most distant sink is not increased, and this phase terminates at the local optimum. In experiments with a variety of point sets, the authors observed that their heuristic produced an average of 25% reductions in path length with increases of 6% in wire length, when compared to the Steiner tree heuristic of [HoVW90].

While the *MPT* algorithm provides a measure of control over the tradeoff between path length and tree length, a number of authors have attempted to refine this control. Some algorithms are able to bound the maximum tree length, the maximum path length, or both, with *constant* factors.

In [CoKR91b], Cong et al. proposed an extension of Prim’s *MST* algorithm known as *Bounded Prim (BPRIM)*. This algorithm bounds radius by using a shortest path connection for a sink when the *MST* edge normally selected would result in a radius in excess of a specified performance bound. While *BPRIM* produces trees with low average wire length and bounded path length, pathological cases exist where the tree cost is not bounded.

In order to compute a spanning tree with bounded radius and bounded cost, Cong et al.[CoKR92] extended the *shallow-light*

tree construction by Awerbuch, Baratz, and Peleg [AwBP90], which was originally designed for communications protocols. The algorithm of [AwBP90] constructs spanning trees which have bounded performance for both total tree length and also maximum diameter. This class of constructions are known as *shallow-light* trees. Total tree length for their algorithm is at most $(2 + \frac{2}{\epsilon})$ times that of a minimum spanning tree, while the diameter is at most $(1 + 2\epsilon)$ times that of the diameter of the pointset. The ϵ parameter may be adjusted freely, allowing a preference for either tree length or diameter.

The *Bounded Radius Bounded Cost (BRBC)* spanning tree of [CoKR92] uses the *shallow-light* approach, and works as follows.

1. Construct an MST T_M and an SPT T_S for the graph.
2. Perform a depth-first traversal of T_M . This traversal defines a tour of the tree, and each edge is traversed exactly twice.
3. Construct a “line-version” L of T_M , which is a path graph containing the vertices in the order that they were visited during depth-first traversal. Note that each vertex appears twice in L , and that the cost of L is at most twice the total cost of T_M .
4. Construct a graph Q by traversing L . A running total of the distance in Q from the source is maintained; if the distance exceeds $1 + \epsilon$ times the radius, a shortest path from s_0 to the current vertex is inserted.
5. Construct a shortest path tree T' in Q .

The resulting tree has length no greater than $1 + \frac{2}{\epsilon}$ times that of a minimum spanning tree, and radius no greater than $1 + \epsilon$ times that of a shortest path tree. An example of tree construction using the *BRBC* method is shown in Figure 12. Khuller, Raghavachari, and Young [KhRY93] developed a method similar to *BRBC* contemporaneously.

Alpert et al. [AIHK93] proposed *AHHK* trees as a direct trade-off between Prim’s *MST* algorithm and Dijkstra’s shortest path tree algorithm. They utilize a parameter $0 \leq c \leq 1$ to adjust the preference between tree length and path length. Their algorithm iteratively adds an edge e_{pq} between vertices $p \in T$ and $q \notin T$, where p and q minimize $(c * d_T(s_0, p)) + d(p, q)$.

The authors showed that their *AHHK* tree has radius no worse than c times the radius of a shortest path tree. For pathological cases in general graphs, their tree may have unbounded cost with respect to a minimum spanning tree. They conjectured that the cost ratio may be bounded when the problem is embedded in a rectilinear plane.

Most of the algorithms presented in this subsection so far are focused on bounded radius spanning tree construction, and do take advantage of Steiner point generation. In [LiCW93], Lim, Cheng, and Wu proposed *Performance Oriented Rectilinear Steiner Trees* for the interconnect optimization problem. Their heuristic method attempts to minimize total tree length while satisfying distance constraints between the net driver and various sink nodes.

Their method utilizes a “Performance Oriented Spanning Tree” algorithm repeatedly during Steiner tree construction. Spanning tree construction proceeds in a manner similar to that of *BPRIM*, with edge selection being based on finding the lowest cost edge which does not violate a distance bound by its inclusion. Note that the constructed tree is not necessarily planar, and can have cost higher than that of an *MST*. The Steiner variant of their algorithm proceeds as follows. Beginning with the driver as the root of a partial tree, the Steiner tree grows by a single Hanan grid edge from the partial tree towards a sink node. As the tree grows, certain edges may be required for inclusion (to meet path length bounds); these edges are inserted automatically. If there are no edges that must be included, their heuristic assigns weights to edges of the Hanan grid, and selects the edge with highest

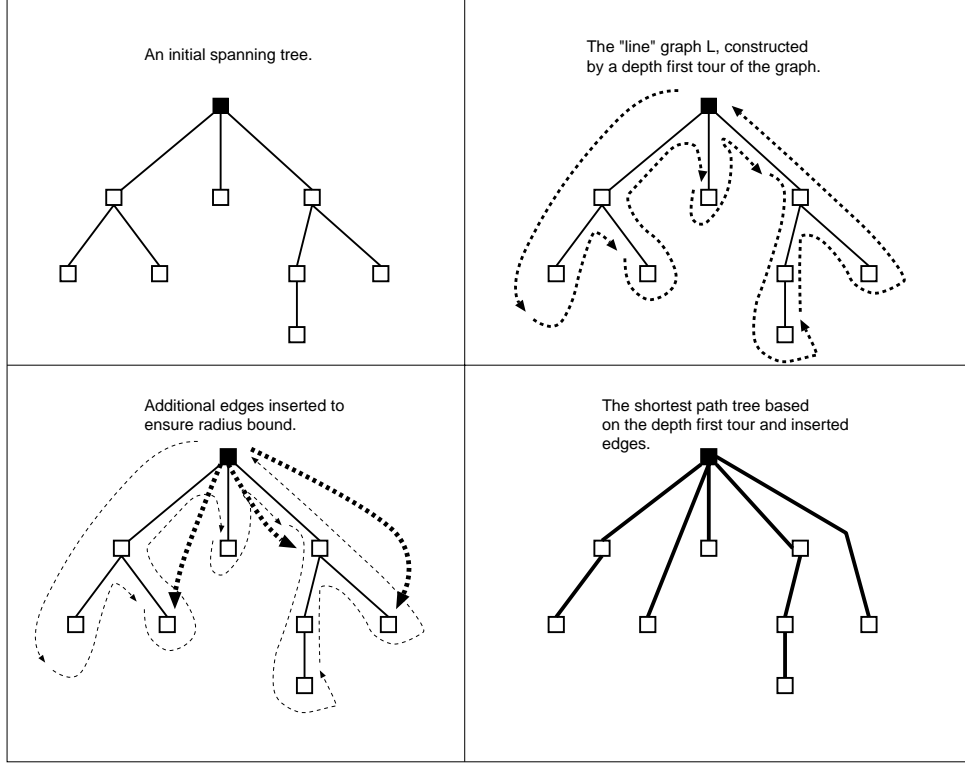


Figure 12: A Bounded-Radius Bounded-Cost construction.

weight. Edge weighting is done by maintaining a *score* for grid edges and grid points, based on the number of Performance Oriented Spanning Tree edges which may contain the Hanan grid edge. An example of their Steiner tree construction method is shown in Figure 13.

3.2.2 Arborescences

At the extreme of path length minimization objectives are constructions which provide shortest paths from the source to sink nodes. While this clearly minimizes path resistances, we also want to minimize the total tree capacitance. Cong, Leung, and Zhou[CoLZ93] showed that a minimum-cost shortest path tree is very useful for delay minimization. Given a routing tree T , they decomposed the upper bound signal delay t_P at any node in T under the Rubinstein, Penfield, and Horowitz[RuPH83] model as follows (see Eqn. (1)):

$$t_P = t_1(T) + t_2(T) + t_3(T) + t_4(T), \quad (24)$$

where

$$t_1(T) = R_d \cdot c \cdot |T|, \quad (25)$$

$$t_2(T) = r \cdot \sum_{\text{all sinks } s_k} c_{s_k}^s \cdot |d_t(s_0, s_k)|, \quad (26)$$

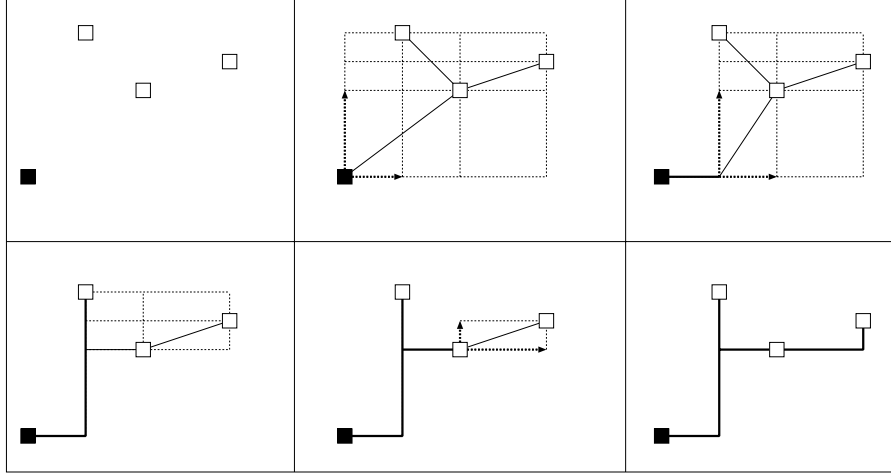


Figure 13: Performance Optimized Minimum Rectilinear Steiner Tree construction. At each step, a few of the Hanan grid edges are candidates for inclusion. In some instances, the included edge can be determined by path length constraints; in other instances, the edge is selected based on a heuristic weighting.

$$t_3(T) = r \cdot c \cdot \sum_{v \in T} |d_T(s_0, v)|, \quad (27)$$

$$t_4(T) = R_d \cdot \sum_{\text{all sinks } s_k} c_{s_k}^s. \quad (28)$$

c denotes the unit length capacitance. The first term $t_1(T)$ is minimized when $|T|$ is minimized, corresponding to a minimum wirelength solution. The second term $t_2(T)$ is minimized by a shortest path tree. The third $t_3(T)$ term is the sum of pathlengths from the source to every node in the tree (including non-sink nodes), which is affected by both the path length and total tree length. The fourth term is a constant. This analysis shows the importance of constructing a minimum-cost shortest path tree.

For a shortest paths spanning tree construction, the classical method by Dijkstra can be used to construct a shortest paths tree (*SPT*) in a graph [Di59], in which every vertex is connected to the root (or source) by a shortest path. While the original algorithm only ensures that all paths are shortest paths, it can be easily modified to construct the minimum cost shortest path tree.

For a shortest paths Steiner tree construction, Rao et al. [RaSH92] posed the following problem for the rectilinear metric: Given a set of vertices V in the first quadrant, find the shortest directed tree rooted at the origin, containing all vertices in V , with all edges directed towards the origin. Such a tree is known as an *arborescence*, and clearly results in shortest paths from the root to every vertex. The authors of [RaSH92] were concerned with the construction of *Rectilinear Minimum Spanning Arborescences (RMSA)* and *Rectilinear Steiner Minimal Arborescences (RSMA)*, for total wire length minimization in both cases. First, they showed that a $\frac{3}{2}$ performance bound between an *RMST* and an *RSMT* does not hold for arborescences. Instead, they have $\frac{|RMSA|}{|RSMA|} = \Omega(n/\log n)$ as a tight bound, indicating that as the size of the problem grows, the length of a spanning arborescence grows faster than the length of a Steiner arborescence. For large problems, the length of a spanning tree solution may be much larger than that of the Steiner solution.

Next, they presented a simple heuristic for the *RSMA* construction problem. Let $\min(p, q)$ denote the point at $(\min(x_p, x_q), \min(y_p, y_q))$, which is called the merging point of p and q . Their heuristic algorithm constructs an arborescence H iteratively by

connecting a pair of vertices p and q to $\min(p, q)$. The pair p and q are chosen to maximize the distance between $\min(p, q)$ and the root, i.e., the pair with the merging point furthest from the root are selected first. An example of tree construction using this heuristic is shown in Figure 14.

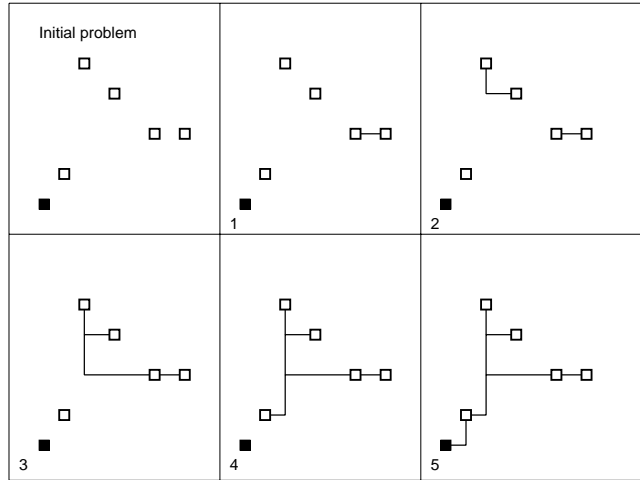


Figure 14: The H heuristic, applied to a single quadrant problem.

Despite its simplicity, the algorithm provides an interesting bound on total tree length: $|T| \leq 2 \times |RSMA|$, i.e., the length of a tree generated by the heuristic is no worse than twice the optimal Steiner arborescence length.

When the problem is not restricted to one quadrant, the heuristic can be applied in the following manner. If we assume the root to be located at the origin, we can restrict the tree to contain the x -axis in the range from a to b , $a \leq 0 \leq b$. Similarly, we can restrict the tree to the y -axis for values $c \leq 0 \leq d$. By considering the single quadrant solutions given various values of a , b , c , and d , and then finding the best performing combination, their heuristic constructs a tree in $O(n^3 \log n)$ time.

In [CoLZ93], Cong, Leung, and Zhou also addressed the construction of rectilinear Steiner arborescences, and presented the A -Tree algorithm. The A -tree algorithm constructs trees by starting with a forest of points (the source and all sinks), and then iteratively merges subtrees until all components are connected. In addition to the merging operation used in [RaSH92], the authors of [CoLZ93] identify three types of “safe moves” for optimal merging at each step. In other words, the safe merge moves preserve the tree length optimality during the construction process; if only safe moves are applied, the resulting tree will have optimal length. The A -Tree algorithm applies safe moves whenever possible. On average, it was shown that 94% of merge moves were optimal, and the trees constructed by the A -Tree algorithm were within 4% of the optimal arborescence length. In experiments on random nets under the 0.5μ CMOS IC technology, the A -Tree constructions produced delay improvements approaching 20% over 1 -Steiner [KaRo92] constructions.

3.2.3 Multiple Source Routing

The existence of multiple source nets, such as signal busses, complicates interconnect topology construction, as a topology which provides good performance for one source may perform poorly for another. An example of such an instance is shown in Figure 15. A method proposed by Cong and Madden[CoMa95] constructs interconnect topologies which limit the maximum path length between any pair of pins to the diameter of the net, while using minimal total wire length. Their *Minimum-Cost Minimum*

Diameter A-Tree (MCMD A-Tree) algorithm consists of three main steps: determination of the net diameter, identification of a feasible region for the root of a minimum diameter tree, and construction of a shortest-path tree rooted at the selected root point.

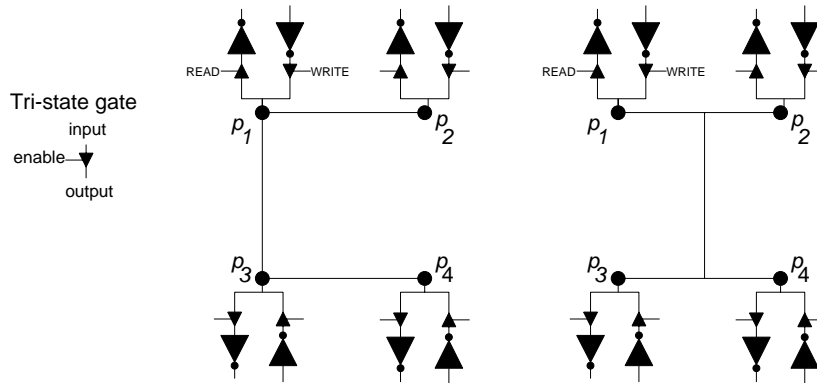


Figure 15: A multisource routing problem. When each vertex may act as either a driver or as a sink, diameter minimization (rather than radius minimization) may be the preferred goal.

For the Euclidean metric, Ho et al.[HLCW89] presented a method to construct a minimum diameter tree. They determine the smallest enclosing circle for the point set, and then construct a shortest path tree from the center of this circle. The method of [CoMa95] follows a similar approach. For the rectilinear metric, determination of the equivalent of the smallest enclosing circle is simple. A *tilted rectangular region (TRR)* is defined to be a rectangle with sides having slopes of ± 1 . The rectilinear equivalent of the smallest Euclidean circle, a *smallest tilted square (STS)* can be constructed from the smallest *TRR* enclosing the points. The *STS* has diameter equal to that of the point set, with points s_i and s_j on opposing sides having distance $d(s_i, s_j) = \text{diameter}(P)$. For a point c at the center of an *STS*, we have $d(c, s_i) \leq \frac{D}{2}$ for any s_i in the net. By constructing a shortest-path tree rooted at c , any path from s_i to s_j will clearly have length no greater than D .

It was noted in [CoMa95] that the feasible position for the root c of a minimum diameter rectilinear tree is not unique, and that the constraint $d(c, s_i) \leq \frac{D}{2}$ is overly restrictive. In fact, the *Feasible Region (FR)* of the root position of a minimum diameter rectilinear tree can be characterized by the set $\{c | d(s_i, c) + d(c, s_j) \leq D, \forall s_i, s_j \in P\}$. For each pair of pins s_i and s_j , the equation $d(s_i, c) + d(c, s_j) \leq D$ defines an *octilinear ellipse (OE)*. The intersection of the *OEs* for all pairs defines the *FR* for the point set. Figure 16 shows the octilinear ellipses for a set of points, and their intersection which results in the *FR*. Straight forward computation of the *FR* takes $O(n^2)$ time by intersecting $O(n^2)$ *OEs*; a linear time method to construct the *FR* was presented in [CoMa95b].

The authors use the *A-Tree* algorithm[CoLZ93] to construct a shortest path tree T from a root point within the *FR* to the pins of the net. As $d_T(c, s_i) = d(c, s_i)$ in the *A-Tree*, and c satisfies $d(s_i, c) + d(c, s_j) \leq D$, clearly $d_T(s_i, c) + d_T(c, s_j) \leq D$ for all pairs s_i and s_j . While any point within the *FR* provides a feasible root point for a minimum diameter construction, some root points result in lower wire length solutions. An example is shown in Figure 17. The root points considered are restricted to the corner points of the *FR*, the intersections of Hanan grid lines with the *FR*, and Hanan grid points contained by the *FR*. In the worst case, there may be $O(n^2)$ candidate root points for a problem with n pins.

The authors used the Elmore delay model to select the tree with best performance among the *A-Trees* rooted at candidate different positions in the *FR*; HSPICE simulation showed that on random nets under the 0.5μ CMOS IC technology, their *MCMDA-*

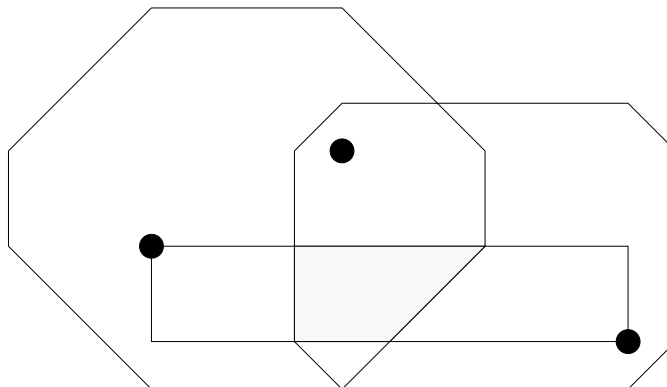


Figure 16: The *feasible region* for the root of a minimum diameter tree. Each pair of points constrains the root to an area (an *octilinear ellipse*) on the plane. The intersection of these octilinear ellipses gives the set of points that can serve as the root of the tree.

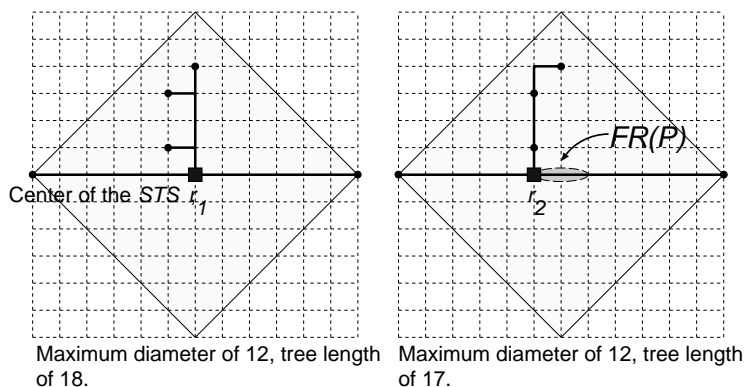


Figure 17: The length of a minimum diameter may be reduced by the selection of an appropriate root location. The center of the smallest enclosing rectilinear circle is not necessarily the best root point.

Tree constructions showed an average of 11.4% reductions in the maximum interconnect delay when compared to *1-Steiner*[KaRo92] tree constructions. Industrial examples showed as much as a 16% delay reduction.

3.3 Topology Optimization for Delay Minimization

While delay was an implied objective in the two previous subsections, the methods discussed there used geometric measures for optimization. Geometric objectives are in general more tractable than physical delay models, but can be inaccurate measures for signal delay. In this subsection, we discuss a number of methods which employ more accurate physical delay models to guide optimization.

Prasitjutrakul and Kubitz [PrKu90] presented an early method as part of their timing-driven global router. As this method was a part of their global router, they utilized global delay constraints in their optimization. Individual sink pins had unique delay requirements, resulting in differing required arrival times for signals (and differing slack values). Their approach for interconnect topology construction was to iteratively add an unconnected sink to a partial tree, using a path that would maximize the slacks

of all sinks already connected, and the target sink. The target sink was selected to minimize the distance between the sink and the partial tree. The algorithm uses the A* search technique, with delay calculated by a method described in [Sa83].

In [HoXK93], Hong et al. propose two tree construction methods. The first, called the *Iterative Dreyfus-Wagner (IDW) Steiner tree* algorithm. This method modifies the optimal Steiner tree construction method of Dreyfus and Wagner [DrWa72] to utilize a physical delay model from [Sa83]. Through successive runs of the Dreyfus-Wagner method, three terms which capture resistance, capacitance, and their product, are adjusted iteratively; the convergence of these terms produces the optimum solution.

A second approach in [HoXK93] is based on a constructive force directed method. This method begins with an initial forest of points, computes the “weighted medium point” for each vertex, and then grows the smallest weighted subtree. This process is iterated until all vertices are connected. The weighted medium point, subtree weights, and direction of growth, are all heuristically determined.

In [ZhTG93], Zhou, Tsui, and Gao presented a heuristic method to construct routing trees based on their analysis using a 2-pole RLC delay model. Their model has been described in Section 2.1. The authors were concerned with minimizing signal delay using an accurate model, and with obtaining signal waveforms which did not exceed target voltages by a wide margin. Their tree construction method adds sink nodes one by one, in a manner somewhat similar to Prim *MST* algorithm. Rather than constructing a spanning tree, their algorithm connects nodes to vertices or Steiner points that could be contained by the partial tree. Their algorithm utilizes a 2-pole simulator to evaluate signal delay and waveform integrity at each step.

In [BoKR93], Boese, Kahng, and Robins define the *Critical-Sink Routing Tree (CSRT)* Problem as: Given signal net N , construct $T(N)$ which minimizes $\sum \alpha_i * t(s_i)$. This formulation allows for the weighting of individual sinks to account for the varying importance of specific delay paths. They utilize the Elmore delay model for their optimization.

Two methods for this problem were proposed, one for the construction of spanning trees, and the other for the construction of Steiner trees.

Their *Elmore Routing Tree (ERT)* algorithm constructs a spanning tree over the pins by iteratively adding edges, in a method similar to Prim’s *MST* algorithm. In each step, vertices $p \in T$ and $q \notin T$ are selected, such that the addition of an edge from p to q minimizes the maximum Elmore delay to all sinks in the new tree. The *ERT* algorithm was generalized to allow Steiner points, resulting in the *Steiner Elmore Routing Tree (SERT)* algorithm. At each step, the edge selected was allowed to connect to any vertex or to any Steiner point that could be contained by the partial tree. The complexity of this algorithm is $O(n^4)$. If only a single sink is critical, the algorithm is known as *SERT-C*.

The authors used random point sets and 0.8 μ CMOS IC design parameters to evaluate the performance of their *SERT* algorithm. On average, improvements of 21% in delay over *1-Steiner*[KaRo92] constructions were obtained. When compared to the *AHK*[AlHK93] algorithm (described in Section 3.2.1, delay improvements of 10% were obtained.

The basic *SERT* method was extended to utilize branch-and-bound optimization, resulting in the *Branch-and-Bound Steiner Optimal Routing Tree (BB-SORT)* algorithm[BoKM94]. Tree construction is restricted to the Hanan grid, making the problem tractable. This approach has exponential time complexity, but pruning of the search space makes its application feasible for small problem sizes.

For any weighted linear combination of sink delays, *BB-SORT-C* was shown to construct an optimal tree. For minimizing the maximum sink delay, however, it was shown that the optimal tree may not fall on the Hanan grid[BoKM94], which prevents

the *BB-SORT-C* algorithm from finding the optimal solution.

Experiments showed that the delays of *SERT* constructions were very close to those of *BB-SORT* constructions. For random problems with 9 points, using 0.5μ CMOS IC parameters, the *SERT* delays were only 3.9% above those of *BB-SORT*[BoKM94]. In [BoKM95], it was also shown that the trees constructed using the Elmore delay model as an objective provided good performance under SPICE simulation. The authors enumerated *all* possible topologies for small nets, and ranked them by delay using the Elmore delay model and SPICE; they found that the rankings were nearly identical, indicating that Elmore delay is a *high fidelity* objective for interconnect topology construction.

In [ViMa94], Vittal and Marek-Sadowska presented an algorithm which constructs interconnect topologies that are competitive in terms of delay with the *SERT* and *BB-SORT* methods described above, but with a complexity of only $O(n^2)$. Their approach is through the construction of *Alphabetic Trees* (which are abstract topologies).

The *Alphabetic Tree* problem is defined as: given an ordered set of weights, find a binary tree such that the weighted sum of path lengths from the root to the leaves is minimum among all such trees, and the left to right order of the leaves in the tree is maintained. The weights are associated with sinks of the net, while edges are of unit length (as the tree is an abstract topology). An example of an *Alphabetic tree* is shown in Figure 18.

The construction in [ViMa94] uses the circular ordering with respect to the driver to order the sinks, and uses the sink capacitance as the weight for each sink. The authors first construct the *Alphabetic Tree* as an abstract topology. They then merge subtrees of the abstract topology in a similar way to the heuristic of [RaSH92], described in Section 3.2.2. Afterwards, a post-processing procedure is applied to perform heuristic local optimization to further minimize the delay.

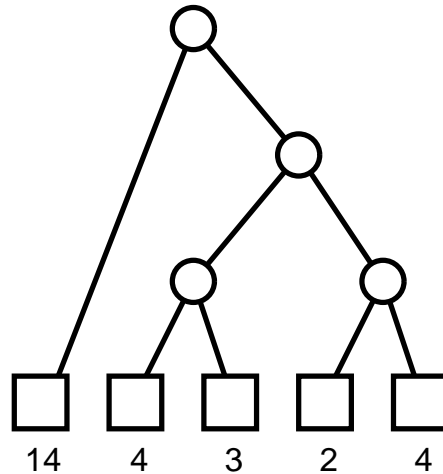


Figure 18: An example of *Alphabetic Tree*. The optimum length is $14 + 3 * (4 + 3 + 2 + 4) = 53$.

Recently, Lillis et al.[LiCL96b] addressed performance driven interconnect topology problem through the construction of *Permutation-constrained Routing Trees* or *P-Trees*. Their algorithm first constructs a *MST* for the point set, and then derives its abstract topology. Rather than considering the node weights and path lengths from the root, as is done in [ViMa94], the authors consider the *tour length* of traversing from sink to sink, using an ordering of the sinks that is consistent with the abstract topology. Using dynamic programming methods, their *P-Tree* algorithm finds the optimal permutation of sinks to minimize tour length, while maintaining consistency with the abstract topology. Given an abstract topology and an ordering of sink nodes, the

algorithm can then find the optimal embedding of the topology into the Hanan grid (through a dynamic programming approach which considers possible locations for the internal nodes of the abstract topology). Solutions are chosen to optimize the Elmore delay of the topology.

In all of the works mentioned earlier in this section, we have been interested in the construction of routing *trees*, and have not allowed multiple connections between pairs of nodes.

Recent work, however, has considered the relative merits of non-tree routings. Xue and Kuh[XuKu95a, XuKu95b] have suggested “multi-link insertion” as a method to reduce the resistance between a driver and critical sinks in a tree. In some respects, this can be considered as a generalization on the variable wire width formulations which are detailed in a subsequent section. At the heart of this approach is the observation that additional paths from a driver to a sink may substantially reduce the effective interconnect resistance, with a nominal penalty to total interconnect length. Multiple paths between source and sink complicate the delay analysis of an interconnect topology, and have higher interconnect length than tree constructions. At present, the use of non-tree interconnect topologies is not wide spread.

4 Wire and Device Sizing

Both device sizing and interconnect sizing can be used to reduce the delay. A larger driver/gate at the source of an interconnect tree has a stronger driving capability (or equivalently, smaller effective driver resistance), reducing the delay of this interconnect. But a larger driver/gate also means a heavier load (larger sink capacitance) to the previous stage and thus increases its delay. The *device sizing* problem is to determine the optimal size of each driver/gate to minimize the *overall* delay; this has been extensively studied in the past. Interconnect sizing, often called wire-sizing, on the other hand, was investigated only recently. If the width of a wire is increased, the resistance of the wire will go down, which may reduce the interconnect delay, but the capacitance of the wire will go up, which may increase the interconnect delay. The *wire-sizing* problem is to determine the optimal wire width for each wire segment to minimize the interconnect delay. When the interconnect resistance can be neglected as in the early days, the interconnect can be modeled as a lumped capacitor. In this case, the minimum wire width is preferred for delay minimization and only device sizing is necessary. But in the current deep submicron technology where the interconnect resistance can no longer be neglected, both device and wire sizing are needed to reduce the interconnect delay. Techniques for both device and wire sizing for delay minimization will be surveyed in this section. Sections 4.1 and 4.2 will present works on device sizing only and wire sizing only, respectively. Section 4.3 will focus on simultaneous device and wire sizing works, and Section 4.4 on simultaneous topology construction and sizing works. Because this survey deals mainly with interconnect design and optimization, more emphasis will be given on wire-sizing and simultaneous device and wire sizing.

4.1 Device Sizing

The device sizing problem is equivalent to determining the transistor channel width in CMOS logic since the transistor channel length is usually fixed to the minimum feature size. The following device sizing techniques are commonly used.

- **Driver sizing:** A chain of cascaded drivers is usually used at the source of an interconnect tree for heavy capacitive load. The *driver sizing* problem is to determine both the number of driver stages and the size for each driver.

- Transistor or gate sizing: The *transistor sizing* problem is to determine the optimal width, either continuous or discrete, for each transistor to optimize the overall circuit performance. Similarly, the gate sizing problem includes both the continuous and the discrete gate sizing problems. The *continuous gate sizing* problem assumes that all transistors in a gate can be scaled by a common factor, which is called the *size* of a gate. The *discrete gate sizing* problem assumes that each gate has a discrete set of pre-designed implementations (cells) as in a given cell library, and one needs to choose an appropriate cell for each gate for performance optimization.
- Buffer insertion: A buffer can be a pair of inverters or a single inverter⁴, and they may have different sizes. The *buffer insertion* problem is to determine both the placement and the size of each buffer in a routing tree. In a uniform view, the driver sizing problem is a special case of buffer insertion with buffers only at the source of the routing tree.

4.1.1 Driver Sizing

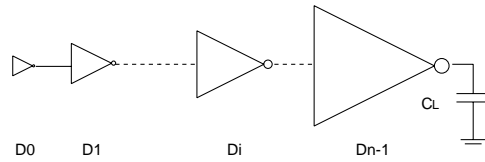


Figure 19: The cascaded drivers for a heavy capacitance loading.

For an interconnect tree with heavy load (due to large interconnect capacitance or/and sink capacitance), a chain of cascaded drivers is usually used at the source. The 0-th stage is a small, often minimum size, driver, and the driver size increases until the last stage is large enough to drive the heavy loading capacitance (see Figure 19). An early result on the optimal driver sizing problem was reported in [LiLi75]. Let D_i be the driver of the i -th stage, and C_i and R_i be its input gate capacitance and effective driver resistance, respectively. The stage ratio is defined to be $f_i = \frac{C_i}{C_{i-1}}$ ($i > 0$), it was shown that

Lin-Linholm Theorem: If the loading capacitance is C_L and the stage number is N , the optimal stage ratio at each stage is a constant $(\frac{C_L}{C_0})^{1/N}$ in order to achieve the minimum delay.

Let $\tau_0 = R_0 \cdot C_0$, where C_0 and R_0 are the input gate capacitance and the effective driver resistance for D_0 , respectively. Under the constant stage ratio f and the switch-level driver model, we have $R_i = \frac{R_0}{f^i}$ and $C_i = C_0 \cdot f^i$. Therefore, every stage has the same delay $f\tau_0$, and the total delay of N stages is $t_d = Nf\tau_0$. When N is not fixed, the optimal stage number is $N = \ln(\frac{C_L}{C_g}) / \ln f$. The total delay becomes $Nf\tau_0 = \ln(C_L/C_g) \cdot \tau_0 \cdot f / \ln f$. It is minimized when $\frac{f}{\ln(f)}$ is minimum, which leads to $f = e$, the base of natural logarithms. This is the well known optimal stage ratio for delay minimization presented in most textbooks (such as [MeCo93]).

The output capacitance of a driver is not considered in the above derivation. In [HeJe87], a more accurate analytical delay formula was developed with consideration of the input waveform slope and the output capacitance of the driver. Based on their

⁴For single-inverter buffers, the signal polarity needs to be considered during buffer insertion

delay formula, the optimal stage ratio f satisfies

$$f = e^{(\alpha+f)/f}$$

where α is the ratio between the intrinsic output capacitance and the input gate capacitance of the inverter. Since typical α is about 1.35 for the technology they used, the optimal stage ratio is in the range of 3–5 instead of e . It is easy to find that the optimal stage ratio is still e if $\alpha = 0$. The stage number N can be determined by the optimal stage ratio f as $N = \ln \frac{C_L}{C_0} / \ln f$. Then, f is used for all stages, except that the last stage has a little bit *larger* ratio for delay minimization [HeJe87].

Most recently, Zhou and Liu [ZhLi96] discussed the optimal driver sizing for high-speed low-power ICs. The *increasing* stage ratios $f_i = f_0(1 + \gamma)^i$ are used, where γ is a modification factor determined by the I-V curve of the transistor. The typical value of γ is around 0.2. The reason for the increasing stage ratio is the following: if the step waveform is applied at the input of the very first stage, the waveforms become increasingly “softer” at the subsequent stages, i.e., the input waveform to the following stage is no longer a step so an increasingly larger delay is expected for each following stage. Thus, an increasing stage ratio is applied to maintain equal delay in different stages. The authors derived an analytic relationship between signal delay, power dissipation, driver size and interconnect loading. They show that

$$f_0 = e^{\frac{\gamma}{2} + \sqrt{2\gamma \frac{C_L}{C_0} - 1}} \quad \text{and} \quad f_i = f_0(1 + \gamma)^i$$

are the optimal stage ratios for delay minimization. We would like to point out that all studies in [LiLi75, HeJe87, ZhLi96] also discussed the optimal driver sizing for power minimization. Another study on optimal driver sizing for low-power can be found in [Ve84].

4.1.2 Transistor and Gate Sizing

In addition to sizing drivers which usually drive global interconnects, the sizes of all transistors and gates in the entire circuit or a sub-circuit can also be adjusted properly according to their capacitive loads for performance or power optimization. The transistor sizing problem has been approached using both sensitivity based methods and mathematical optimization based methods. The gate sizing problem has been classified into both continuous and discrete gate sizing problems, and solved by different approaches.

A. Sensitivity Based Transistor Sizing

Fishburn and Dunlop [FiDu85] studied the transistor sizing problems for synchronous MOS circuits. Let $x_1, \dots, x_i, \dots, x_n$ be the transistor sizes, A the total active area of transistors and T the clock period. If K is a positive constant, there are three forms for the transistor sizing problem as follows:

1. Minimize A subject to the constraint $T < K$.
2. Minimize T subject to the constraint $A < K$.
3. Minimize AT^K .

Let a transistor be modeled by the switch level model, then the gate, source and drain capacitance are all proportional to the transistor size, and the effective resistance is inversely proportional to it. A CMOS gate will be modeled by a distributed RC network. The Elmore delay (Eqn. (3)) is used to compute the worst-case delay of the gate, which is the delay through the highest resistive path in the RC network. The delay of a PI-PO path is the sum of delays through all gates in the path. It is not difficult to verify that the delay of a PI-PO path can be written into this form

$$\sum_{1 \leq i, j \leq N} a_{ij} \frac{x_i}{x_j} + \sum_{1 \leq i \leq N} \frac{b_i}{x_i} \quad (29)$$

where the a_{ij} and b_i are nonnegative constants. In fact, a_{ij} is non-zero only when transistors i and j are dc-connected.

Furthermore, the authors of [FiDu85] show that Eqn. (29) and the area $A = \sum x_i$ are posynomials and the transistor sizing problems of the three forms are all posynomial programs.⁵ Even though posynomial programming methods can be used to optimally solve the three forms of the transistor sizing problem, it is computationally expensive to be used for an entire circuit. Thus the transistor sizing tool TILOS (TImed LOGic Synthesizer) was developed to minimize A subject to $T < K$ based on the following scheme: First, the minimal size is assigned to all transistors. Then, timing analysis is performed to find the critical delay T . If T is larger than K , the sensitivities of all transistors related to the critical path will be computed. The sensitivity is defined as the delay reduction due to per transistor size increment. The size of the transistor with the largest sensitivity will be multiplied by a user defined factor (BUMPSIZE) and then the algorithm goes to the timing analysis again. This procedure will be terminated when the timing specification is satisfied or there is no improvement in the current loop, i.e., all sensitivities are zero or negative. The performance of TILOS is quite good. Circuits with up to 40,000 transistors have been tested. Based on the experiments, the results are reasonably close to the optimum under their delay model. However, it assumes that the effective resistance for a transistor is independent of the waveform slope of the input. But, in fact, the input slope has a significant effect on the transistor effective resistance. Another sensitivity based transistor sizing work is [Sap90] which also performs iterative transistor sizing to reduce the critical path delay. In contrast to TILOS, it changes the size of more than one transistor in each iteration. In addition, a sensitivity-based transistor sizing is presented by Borah et al. [BoOI95] to minimize power consumption of CMOS circuit under delay constraint.

⁵According to [Ec80], a posynomial is a function of positive vector $\mathbf{X} \in \mathbf{R}^m$ having the form $g(\mathbf{X}) = \sum_{i=1}^N u_i(\mathbf{X})$ with

$$u_i(\mathbf{X}) = c_i x_1^{a_{i1}} x_2^{a_{i2}} \cdots x_m^{a_{im}}, \quad i = 1, 2, \dots, N$$

where the exponents a_{ij} are real numbers and the coefficients c_i are positive. A posynomial program is the following minimization problem:

$$\begin{aligned} \min g_0(\mathbf{X}) \quad \text{subject to } g_k(\mathbf{X}) &\leq 1 \\ k = 1, 2, \dots, p \text{ and } \mathbf{X} &> 0 \end{aligned}$$

where each g_k ($k = 0, 1, 2, \dots, p$) is a posynomial. The posynomial program has the important property that the local optimum is also the global optimum. In fact, the concepts of posynomial and posynomial program play an important role in many wire and device sizing works to be presented.

B. Mathematical Programming Based Transistor Sizing

Note that the method in [FiDu85] does not guarantee the optimality of the result. Studies have been done to formulate the transistor sizing problem as mathematical programming problems to obtain an optimal solution. Methods in [Ci87, He87, Ma86] formulate the transistor sizing problem as nonlinear programs and solve them by the method of Lagrangian multipliers. Methods in [DaAs89, HeFi91, ChKa91] apply the following two-step iterations. First, the delay budget is distributed to each gate; Then, the transistors in each gate are sized optimally to satisfy the time budget.

Later, a two-phase algorithm was presented in [ShFD88] to minimize the circuit area under timing constraints: first, TILOS [FiDu85] is used to generate an initial solution; then, a mathematic optimization is formulated and solved by using feasible directions to find the optimal solution. The variables in the optimization problem, however, are not sizes of *all* transistors in the circuit, but only sizes of those transistors that have been tuned by TILOS, thus it is still possible to lose the optimal solution with respect to the whole circuit. Experimental results of circuits with up to 500 transistors have been presented.

More recently, Sapatnekar [SaRV93] developed a transistor sizing tool iCONTRAST, again, to minimize the circuit area under timing constraints. It employs the analytical delay model developed in [HeJe87] which can consider the waveform slope of input signals to transistors, but assumes that the transition time is twice the Elmore delay of the previous stage. Under the delay model, the transistor sizing problem is a posynomial program that can be transformed into a convex program and the convex programming method [Va89] was implemented to solve the transformed problem. When using the simple delay model of TILOS [FiDu85], and the timing specification is loose, the area of the solution obtained by TILOS is close to that of the solution obtained by the iCONTRAST algorithm. However, as the time specification is tightened, the TILOS-solutions have larger area when compared with the iCONTRAST-solutions. Experimental results of circuits with up to 800 transistors have been presented.

C. Continuous Gate Sizing

The *continuous gate sizing* problem assumes that all transistors in a gate can be scaled by a common factor, which is called the *size* of a gate. In essence, it is very similar to the transistor sizing problem, but has much lower complexity for a given design, since all transistors in a gate are scaled by the same factor. Hoppe *et al* [HoNS90] developed analytical models for signal delay, chip area and dynamic power dissipation and formulated a nonlinear problem to minimize the weighted linear combination of delay, area and power. The nonlinear problem is solved by the Newton-Raphson algorithm. A 64K-SRAM was optimized on a mainframe computer in 2 hours.

In order to speed up the gate sizing problem, the linear programming (LP) formulation has been proposed. Berkelaar and Jess [BeJe90] used a piecewise-linear (PWL) function to linearize the delay function. More precisely, one divides the gate sizes into subranges so that the delay of a gate is a linear function of gate sizes within each subrange. Thus, the gate sizing problem can be formulated as a LP problem. Their LP formulation [BeJe90] is to minimize the power subject to a delay constraint. Experimental results on circuits with up to 500 gates were presented. Later on, their LP-based method was expanded [BeBJ94] to compute the entire area or power-consumption versus delay trade-off curve. Results on MCNC'91 two-level benchmarks with up to 4,700 gates were reported. Recently, Tamiya, Matsunaga and Fujita [TaMF94] proposed another LP-based method where the latest and the earliest arrival times are introduced so that the setup and hold time constraints can be handled. The objective is to minimize

the weighted linear combination of clock period, area and power. Result on a chip of 13,000 transistors was reported. Note that gate sizing works in [BeJe90, BeBJ94, TaMF94] assume that the gate delay is a convex function of gate sizes, which is needed to make sure that the error introduced by the PWL approximation is small. However, the gate delay in fact is not a strict convex function.

More recently, Chen, Onodera and Tamaru [ChOT95] removed the convex delay model assumption in previous LP-based works. They also divided the the gate sizes into subranges, but different from the previous works [BeBJ94, BeJe90, TaMF94] where only one LP problem is formulated over the whole gate size range with the delay being a PWL function in this LP formulation, a LP problem is formulated for *every* subrange with the delay being a linear function for each LP formulation. When the subrange is small enough, the error introduced by the non-convexity will be small. The linear programming is performed iteratively, and subranges of gate sizes are updated according to the result from the previous step. Experimental results for ISCAS85 benchmarks with up to 3,500 gates were reported.

D. Discrete Gate Sizing

The resulting optimized design by the continuous gate sizing formulation may be impractical or expensive to implement since a large number of manually-designed cells or a smart cell generator are needed. Thus, the discrete gate sizing problem is studied by assuming that each gate has a discrete set of pre-designed implementations (cells) as in a given cell library and one needs to choose an appropriate cell for each gate for performance optimization. In general, the discrete gate sizing problem is *NP*-complete: Chan [Ch90] showed that the double sized discrete gate sizing problem to find discrete gate sizes to satisfy both maximum and minimum delay constraints is *NP*-complete, even without consideration of area minimization. Hinsberger and Kolla [HiKo92] proved the single-sided (with only maximum delay constraint) discrete gate sizing problem in a DAG (directed acyclic graph) is *NP*-complete under three objectives: to minimize the maximum delay, to minimize the maximum delay under an area constraint, and to minimize the area under a maximum delay constraint. Li [Li94] further showed that the discrete gate sizing problem under both area and maximum delay constraints is strongly *NP*-hard even for a chain of gates.

The methods which are optimal for logic networks of certain structures have been proposed. For the double-sided problem, a branch and bound algorithm [Ch90] was developed to find the optimal solution for tree structures. For the single-sided problem, an optimal dynamic programming method to minimize the maximum delay was proposed, again for tree structures [HiKo92]. It assumes that the delay for a gate could be determined *locally*, i.e., the delay could be determined only by the sizes of the gate and its fanout gates, and works in a bottom-up manner. Furthermore, an exact algorithm to minimize area subject to a maximum delay constraint (single-sided) was presented for series-parallel circuits [LiLA92]. A simple series circuit is solved by a dynamic programming method and a simple parallel circuit is solved by a number of transformations. All series-parallel circuits can be solved recursively.

Heuristics have been proposed to expand the optimal algorithms for trees or series-parallel circuits to the general cases in [Ch90, LiLA92]. Furthermore, the following methods have been developed: Lin, Marek-Sadowska and Kuh [LiMK90] use the weighted sum of sensitivity and criticality to choose cell sizes for standard-cell designs. The sensitivity of a cell is defined as $-\frac{\Delta delay}{\Delta area}$, where both *delay* and *area* are in terms of the cell. The criticality is inversely proportional to the *slack* of a cell so

that a cell in a non-critical path will not be over-sized⁶. Chuang, Sapatnekar and Hajj [ChSH93a, ChSH95] presented a three-step method to minimize the area subject to the single-sided delay constraint. First, they formulate a linear programming (LP) problem to obtain a continuous solution. Then, they map the continuous solution onto the allowed discrete gate sizes; Finally, they adjust the gate sizes to satisfy the delay constraint. Also, the three-step algorithm was modified in [ChSH93b] to minimize the area under the double-sided delay constraint. It is worth mentioning that the work in [ChSH93a, ChSH95] further formulated gate sizing and clock skew optimization as a single LP problem not only to reduce the circuit area but also to achieve faster clocks. Another method to combine both gate sizing and clock skew optimization can be found in [SaSF95]. In addition, Chuang and Sapatnekar proposed another LP formulation to address the continuous gate sizing problem for power optimization in [ChSa95].

4.1.3 Buffer Insertion

Buffer (also called repeater) insertion is a common and effective technique to reduce interconnect delay. As the Elmore delay of a long wire grows quadratically in terms of the length of the wire, buffer insertion can reduce interconnect delay significantly. Bakoglu ([Ba90]) gives a closed-form formula to determine the number and sizes of buffers (inverters) that are uniformly placed in a long interconnect line for delay minimization. Let k be the number of inverters and h the uniform size for every inverter, then the optimal values for an interconnect line of uniform wire width are the following:

$$k = \sqrt{\frac{0.4R_{int}C_{int}}{0.7R_0C_0}}$$

$$h = \sqrt{\frac{R_0C_{int}}{R_{int}C_0}}$$

where R_{int} and C_{int} are the total resistance and capacitance for the interconnect line, respectively, and R_0 and C_0 the driver resistance and the input capacitance of the minimum-size inverter, respectively.

A polynomial-time dynamic programming algorithm was presented in [va90] to find the optimal buffer placement and sizing for RC trees under the Elmore delay model. The formulation assumes that the possible buffer positions (called legal positions), possible buffer sizes, and the required arrival times at sinks are given. The optimal buffer placement and sizing is chosen so that the required arrival time at the source is maximized. For simplicity, the buffer of two inverters with the fixed size is used and the polarity of the signal can be ignored. Legal positions were assumed to be right after the branching points in the tree (see Figure 20.a).

The algorithm includes both bottom-up synthesis and top-down selection procedures. It begins with the bottom-up synthesis procedure, where for each legal position i for buffer insertion, a set of (q_i, c_i) pairs, called *options*, is computed for possible buffer assignments in the entire subtree T_i rooted at i . Each q_i is a required arrival time at i and c_i is the capacitance of of *dc-connected subtree*⁷ rooted at i corresponding to q_i (Figure 20.b). Note that c_i is *not* the total capacitance in T_i .

A wire segment in the routing tree is modeled by a π -type circuit and only the wire area capacitance is considered. Recall that r and c_a are the resistance and the area capacitance for a unit-length wire, respectively. When a wire segment with upstream

⁶Since the method in [FiDu85] only sizes those transistors in the critical path based on their sensitivities, criticality has been considered implicitly.

⁷“dc-connected” means “directly connected by wires”.

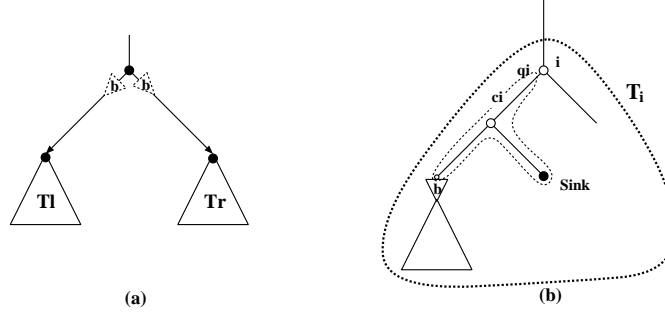


Figure 20: (a) Legal position for buffer insertion; (b) An option in a legal position.

node k is added at i , an option (q_k, c_k) will be generated at k for every (q_i, c_i) at i as the following:

$$q_k = q_i - r \cdot l \cdot \left(\frac{c \cdot l}{2} + c_i \right)$$

$$c_k = c_i + c \cdot l$$

where l is the length of the wire segment.

A buffer is modeled by the input gate capacitance C_{buf} , the driver resistance R_{buf} and the intrinsic delay D_{buf} . When a buffer with input node k is inserted at i , an option will be generated at k for every (q_i, c_i) at i as the following:

$$q_k = q_i - D_{buf} - R_{buf} \cdot c_i$$

$$c_k = C_{buf}$$

When two subtrees T_i and T_j are merged at node k , for every pair of (q_i, c_i) and (q_j, c_j) (at i and j , respectively) an option (q_k, c_k) will be generated at k as the following:

$$q_k = \min(q_i, q_j)$$

$$c_k = c_i + c_j$$

The following *pruning rule* is used to prune a suboptimal option during the computation of options. For two options (q, c) and (q', c') in the same legal position, if $c' \geq c$ and $q' < q$ then (q', c') is suboptimal, thus, it can be pruned from the solution space. If the total number of legal positions is N , it was shown in [va90] that the total number of options at the source of the whole routing tree is no larger than $N + 1$ even though the number of possible buffer assignments is 2^N .

After the bottom-up synthesis procedure, the optimal option is the one which has the maximum requirement time at the source pin of the *whole* interconnect tree. Then, the top-down selection procedure is carried out to trace back the buffer placement (in general, also the buffer sizes) which led to the optimal option. Several extensions can be made. It is easy to allow buffers of different types (sizes) to be placed. With different R_{buf} , C_{buf} and D_{buf} values for each type of buffer, there may be an extra option generated in every legal position for every extra buffer type. Let B be the number of buffer types and N , again, be the total number of legal positions, the total number of options at the root of the whole tree is bounded from above by $N + B$. In general, the time

complexity of the algorithm is $O((N + B)^2 + k)$, where N is the total number of legal positions for buffer insertion, B the total number of buffer types and k the total number of sinks.

4.2 Wiresizing Optimization

It was first shown by Cong, Leung, and Zhou [CoLZ93] that when wire resistance becomes significant, as in the deep submicron CMOS design, proper wire-sizing can further reduce the interconnect delay. Their work presented an optimal wire-sizing algorithm for a single-source RC interconnect tree to minimize the uniform upper bound of the delay (Section 2.1, Eqn. (1)). Later on, single-source wire-sizing algorithms were presented in [CoLe93, CoLe95, Sa94, XuKu95b, ChCW96b, ChCW96a] using the Elmore delay model, in [MePD94] using a higher-order RC delay model and in [XuKY96] using a lossy transmission line model. In addition, the wire-sizing problem for multiple-source nets was formulated and solved in [CoHe95]. Furthermore, wire-sizing was carried out simultaneously with device sizing in [CoKo94, MePP95, MeBP95, LiCL95, CoHe96b, CoHe96c]. We classify the wire-sizing works according to their objective functions and present them in Sections 4.2.1 and 4.2.2, and then discuss the simultaneous device and wire sizing in Section 4.3.

4.2.1 Wiresizing to Minimize Weighted Delay

In order to reduce the delays to multiple critical sinks in an interconnect tree with a single source, the wire-sizing algorithms given by Cong and Leung [CoLe93, CoLe95] minimize a weighted combination of Elmore delays from the single source to multiple critical sinks. Later on, Cong and He [CoHe95, CoHe96a] extended this formulation to the multiple-source net case, where the objective is to minimize the weighted combination of Elmore delays between multiple source-sink pairs. Wiresizing works in [CoLe93, CoLe95, CoHe95, CoHe96a] assumed that the wire widths are discrete and uniform within a wire segment or sub-segment. Most recently in [ChCW96b], an optimal wire-sizing formula was derived by Chen et al. to achieve the continuous and non-uniform wire width for each wire segment, again to minimize the weighted combination of Elmore delays from a single source to a set of critical sinks. All these works assume that the weights of the delay penalty between the source and each sink or each source-sink pair are given a prior.

A. Discrete Wiresizing for Single-Source RC Tree

In [CoLZ93], Cong, Leung and Zhou modeled an interconnect tree as a distributed RC tree and applied the upper-bound delay model shown in Eqn. (1). They showed that when the driver resistance is much larger than the wire resistance of the interconnect, the interconnect can be modeled as a lumped capacitor without losing much accuracy and that the conventional minimum wire width solution often leads to an optimal design. However, when the resistance ratio, i.e. the driver resistance versus unit wire resistance, is small, optimal wire-sizing can lead to substantial delay reduction. In addition, they developed the first polynomial-time optimal wire-sizing algorithm. Since the uniform upper bound delay model does not distinguish the delays at different sinks and may lead to over-sizing, Cong and Leung [CoLe93, CoLe95] extended the work to the Elmore delay formulation of Eqn. (3). Their formulation and method are summarized as follows.

Given a routing tree T , let $sink(T)$ denote the set of sinks in T , W be the wire-sizing solution (i.e., wire width assignment for each segment of T) and $t_i(W)$ be the Elmore delay from the source to sink s_i under W . The following weighted combination

of delays is used as the objective function for wire-sizing optimization.

$$t(W) = \sum_{s_i \in \text{sink}(T)} \lambda_i \cdot t_i(W) \quad (30)$$

where λ_i is the weight of the delay penalty to sink s_i . The larger λ_i , the more critical sink s_i is.

The following monotone property and separability were shown in [CoLe95].

Monotone Property: Given a routing tree, there exists an optimal wire-sizing solution W such that $w_e \geq w_{e'}$ if segment $e \in \text{Ans}(e')$.

Separability: Given the wire width assignment of a path P originated from the source, the optimal wire width assignment for each subtree branching off from P can be carried out independently.

Based on these two properties, the optimal wire-sizing algorithm (OWSA) was developed. It is a dynamic programming method based on the wire-sizing solution for a *single-stem tree*, which is a tree with only one segment (called the *stem segment* of that tree) incident on its root (see Figure 21(a)). We use $\text{sst}(e)$ to denote the single-stem tree with stem e .

According to the separability, once e and every ancestor segment of e are assigned the appropriate widths, the optimal wire width assignment for the single-stem subtrees $\text{sst}(e_{c1}), \text{sst}(e_{c2}), \dots, \text{sst}(e_{cb})$ of the tree $\text{sst}(e)$ (with respect to the width assignment of e and its ancestors) can be *independently* determined, where the segments e_{c1}, \dots, e_{cb} are the children of e . Therefore, given a set of possible widths $\{W_1, W_2, \dots, W_r\}$, OWSA enumerates all the possible width assignments of e . For each possible width assignment W_k of e ($1 \leq k \leq r$), the optimal wire-sizing is determined for each single-stem subtree $\text{sst}(e_{ci})$ ($1 \leq i \leq b$) of $\text{sst}(e)$ independently by recursively applying the same procedure to each $\text{sst}(e_{ci})$ with $\{W_1, W_2, \dots, W_k\}$ as the set of possible widths (to guarantee the monotone property). The optimal assignment for e is the one which gives the smallest total delay.

If the original routing tree T is not a single-stem tree, we can decompose it into b single-stem trees, where b is the degree of the root of T , and apply the algorithm to each individual single-stem tree separately (see Figure 21(b)). The worst-case time complexity of OWSA is $O(n^r)$, which is much faster than brute-force enumeration $O(r^n)$, where n is the number of wire segments and r is the number of possible wire widths. However, OWSA algorithm can be slow when r is large.

In order to further speed-up the OWSA algorithm, the greedy wire-sizing algorithm (GWSA) was developed based on the local refinement and the dominance property to compute the lower and upper bounds of the optimal wire widths.

Given two wire-sizing solutions W and W' , W is defined to *dominate* W' if $w_e \geq w'_e$ for every segment e . Given a wire-sizing solution W for the routing tree, and any particular segment e in the tree, a *local refinement* on e is defined to be the operation to optimize the width of e while keeping the wire width assignment of W on other segments unchanged. The following dominance property was shown in [CoLe95]

Dominance Property: Suppose that W^* is an optimal wire-sizing solution. If a wire-sizing solution W dominates W^* , then any *local refinement* of W still dominates W^* . Similarly, if W is dominated by W^* , then any *local refinement* of W is still dominated by W^* .

The GWSA algorithm works as follows: starting with the minimum-width assignment, GWSA traverses the tree and performs a local refinement on each segment whenever possible. This process is repeated until no improvement is achieved on any segment in the last round of traversal. According to the dominance property, a lower bound of the optimal wire width on every segment is obtained. An upper bound of the optimal wire width assignment can be obtained similarly by starting with the

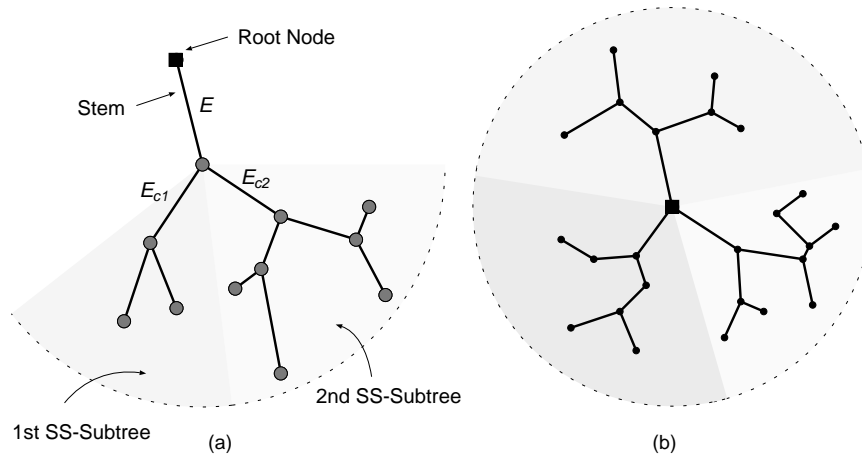


Figure 21: (a) A single-stem tree consists of a stem and a set of single-stem subtrees. In this example, e is the stem of the single-stem tree $sst(e)$, and $sst(e_{c1})$ and $sst(e_{c2})$ are the single-stem subtrees of $sst(e)$ (e_{c1} and e_{c2} are the children of e). (b) Any general tree T can be decomposed into a set of independent single-stem trees.

maximum-width assignment. In most cases, GWSA obtains identical lower and upper bounds on all segments, which gives an optimal wire-sizing solution. In cases when the lower and upper bounds do not meet on a few edges, the gaps are usually small and the OWSA algorithm can be applied very efficiently to obtain the optimal wire-sizing solution. The worst-case time complexity of GWSA is $O(n^3 \cdot r)$. Experiments using SPICE simulation showed that, for the $0.5\mu m$ CMOS technology, the optimal wire sizing solution can reduce the maximum delay by up to 12.01% when compared with the minimum wire width solution.

B. Discrete Wiresizing for Multi-Source RC Tree

The wire-sizing problem for the multiple-source interconnect tree (*MSIT*) was studied by Cong and He in [CoHe95]. They decompose a MSIT into the *source subtree (SST)* and a set of *loading subtrees (LSTs)* (see Figure 22). The SST is the subtree spanned by all sources in the MSIT. After the SST is removed from the MSIT, the remaining segments form a set of subtrees, each of them is called an LST.

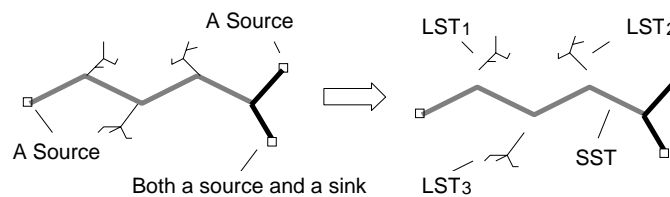


Figure 22: An *MSIT* can be decomposed into the source subtree *SST*, and a set of loading subtrees (three *LST*'s here) branching off from the *SST*. The dark segments belong to the *SST*.

Parallel to the ancestor-descendent relation in the single-source interconnect tree, the left-right relation is introduced in an *MSIT*. An arbitrary source is defined as the *leftmost* node ($Lsrc$). The direction of the signal (current) flowing out from $Lsrc$ is

the *right* direction along each segment. Under such definitions, the signal in any LST always flows rightward, but the signal may flow either leftward or rightward in the SST.

The following properties were shown in [CoHe95] for the wire-sizing problem for MSITs (the MSWS problem):

LST Separability: Given the wire width assignment of the SST, the optimal width assignment for each LST branching off from the SST can be carried out independently. Furthermore, given the wire width assignment of both the SST and a path P originated from the root of an LST, the optimal wire width assignment for each subtree branching off from P can be carried out independently.

LST Monotone Property: For an MSIT, there exists an optimal wire-sizing solution W^* where the wire widths decrease monotonically rightward within each LST in the MSIT.

Because of the two properties, the polynomial-time OWSA algorithm developed for single-source wire-sizing in [CoLe95] can be applied to compute the optimal wire widths *independently* for each LST when given the wire width assignments for the SST. Furthermore, the authors of [CoHe95] proved that the MSWS problem has the dominance property presented in Section 4.2.1.A. Thus, the GWSA algorithm, again developed in [CoLe95] for the single-source wire-sizing problem, can be applied to compute the lower and upper bounds for the optimal solution of the MSWS problem. When the lower and upper bounds do not meet for all segments, the authors propose to enumerate the wire width assignment for the SST between the lower and upper bounds. During each enumeration of the SST, OWSA is applied *independently* for each LST to compute an optimal wire-sizing solution between the lower and upper bounds. Because the identical lower and upper bounds are often obtained by the GWSA algorithm for all segments, the optimal wire-sizing solution can be achieved very efficiently in practice. Experiments using SPICE simulations showed that the optimal wire-sizing solution reduces the maximum delay by up to 36.9% (for an MSIT from the industry with the total wire length of 31980 μm) when compared with the minimum wire width solution in the 0.5 μm CMOS technology.

C. Discrete Wiresizing Using Variable Segment-Division

An assumption is made for wire-sizing algorithms presented in Subsections 4.2.1.A and 4.2.1.B that the wire width does not change within a segment. Intuitively, better wire-sizing solutions may be achieved when variable wire width is allowed within a segment. In [CoKo94], a segment is further divided into a sequence of grid-edges with a unit length and the wire width is allowed to change every grid-edge. The fine and uniform segment-division, however, may result in high memory usage and computation time. An approach based on the bundled refinement property was proposed by Cong and He [CoHe95] to decide the appropriate segment-division during the wire-sizing procedure. It uses much less memory and computation time and is applicable to both single-source and multi-source wire-sizing problems. For the simplicity of presentation, we assume the multi-source wire-sizing problem since the single-source wire-sizing problem is a simple case of it.

First, the concepts of *uni-segment* and *min-segment* were introduced. Each segment is divided into a sequence of uni-segments and each uni-segment has a *uniform* wire width within it. The wire-sizing problem is formulated to find an optimal wire width for every uni-segment. A min-segment is a uni-segment of the minimum length, which is set by the user or determined by the technology. The *finest segment-division* is the one with each uni-segment being a min-segment.

Then, the following property was revealed in [CoHe95], even though the signal direction in the SST of an MSIT may be changed with respect to different sources.

Local Monotone Property: There exists an optimal wire-sizing solution for a routing tree, such that the wire widths within any segment e is monotone: (1) if $F_l(e) > F_r(e)$, the wire widths within e decrease monotonically rightward. (2) if $F_l(e) = F_r(e)$, the wire within e have a same width. (3) if $F_l(e) < F_r(e)$, the wire widths within e increase monotonically rightward. Both $F_l(e)$ and $F_r(e)$ are functions that can be determined before the wire-sizing procedure.

Let a *bundled-segment* be a maximal sequence of successive min-segments in a wire segment such that all these min-segments have the same wire width in the optimal solution under the finest segment-division. Based on the local monotone property, if there are r possible wire widths for a wire segment, there are *at most* r bundled-segments, even though the total number of min-segments could be arbitrarily large (see Figure 23). It is not difficult to see that the optimal wire-sizing solution under the segment-division defined by bundled-segments has the same accuracy as the optimal wire-sizing solution under the finest segment-division, but requires much less computation.

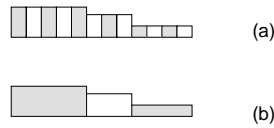


Figure 23: (a) Twelve uni-segments (min-segments) under the finest segment-division; (b) Three bundled-segments with the same wire-sizing accuracy.

The *bundled refinement operation* finds optimal wire width assignment for bundled-segments instead of min-segments. Let W be a wire-sizing solution which dominates the optimal solution W^* under the finest segment-division. Without loss of generality, assume $F_l(e) \geq F_r(e)$ for the segment e . Segment e may contain many min-segments. Instead of performing local refinements on all these min-segments, the following will be carried out: e is treated as two uni-segments, e_l and \bar{e}_l . e_l is the leftmost min-segment in e and \bar{e}_l is the remaining part of e . Clearly, the local refinement of e_l provides an upper bound for the optimal wire width for e_l according to the dominance property. Furthermore, this local refinement is also an upper bound for the optimal wire width of \bar{e}_l , because it is always narrower than the optimal wire width for e_l according to the local monotone property. This operation to treat the local refinement of e_l as local refinements for *all* min-segments in e is called *bundled refinement for the upper bound (BRU)*. The bundled refinement for the lower bound (*BRL*) can be defined similarly. For W dominated by W^* , if $F_l(e) \geq F_r(e)$, the local refinement of the rightmost min-segment e_r is treated as the local refinement for all min-segments in segment e . The following property was proved in [CoHe95].

Bundled Refinement Property: Let W^* be an optimal wire-sizing solution under the finest segment division. If a wire-sizing solution W dominates W^* , then the wire-sizing solution obtained by any bundled refinement under any segment-division on W still dominates W^* . Similarly, if W is dominated by W^* , then the wire-sizing solution obtained by any bundled-refinement under any segment-division on W is still dominated by W^* .

Based on this property, the bundled wire-sizing algorithm *BWSA* works as the follows: Starting by treating each segment as a uni-segment, we assign the minimum width to all uni-segments, then traverse the MSIT and perform bundled refinement operations for the lower-bound on each uni-segment. The bundled refinement operation is repeated until no improvement is achieved on any uni-segment in the last round of traversal. We obtain a lower bound of the optimal wire-sizing solution under the

finest segment-division. Similarly, we assign the maximum width to all uni-segments and perform bundled refinement operations for the upper-bound, and obtain an upper bound of the optimal wire-sizing solution. This is the first *pass* of the BWSA algorithm.

After each *pass*, one checks the lower and upper bounds. If there is a gap between the lower and upper bounds for a uni-segment, it is *non-convergent*. For every non-convergent uni-segment longer than a min-segment, it will be divided into two uni-segments of equal length and each inherits the lower and upper bounds of their parent. Then, another *pass* to compute the lower/upper bounds is carried out by performing bundled refinement operations under the refined segment-division.

The BWSA algorithm iterates through a number of passes until either identical lower and upper bounds are achieved for all uni-segments or each non-convergent uni-segment is a min-segment. It was shown in [CoHe95] that the lower and upper bound obtained by the BWSA algorithm under the iteratively refined segment-division is as tight as those obtained by the GWSA algorithm under the finest segment-division where every uni-segment is a min-segment. Both algorithms have the same worst-case complexity, however, experiments showed that the BWSA algorithm often runs 100x time faster than the GWSA algorithm under the finest segment-division. In addition to replacing the GWSA algorithm in both the single-source and multi-source wire-sizing problems, the BWSA algorithm can be used in the simultaneous driver and wire sizing problem [CoKo94] to be presented in Section 4.3.1.

D. Continuous and Non-uniform Wiresizing for Single-Source RC Tree

Another alternative to achieve non-uniform wire width within a segment is the optimal wire-sizing formula proposed in [ChCW96b] very recently. Let $f(x)$ be the wire width at position x of a wire segment. When given the driver resistance and the loading capacitance for the wire segment, Chen et al. show that the Elmore delay through the wire segment is minimized when $f(x) = ae^{-bx}$ where a and b are constants. Furthermore, when the lower and upper bounds for the wire width of a wire segment are given, the optimal wire width function is one of the six truncated forms of ae^{-bx} . In all cases, formulas can be determined in constant time. However, it did not model the fringing capacitance.

In order to apply the optimal wire-sizing formula to a routing tree, the authors propose to minimize the weighted combination of Elmore delays from the source to multiple sinks. A procedure like the GWSA algorithm developed in [CoLe95] is used. First, the minimum wire width is assigned to every segment. Then, the optimal wire-sizing formula is *iteratively* applied to each wire segment until no improvement can be achieved. In contrast to the case of a single wire segment, the total upstream weighted resistance is used to replace the driver resistance, and the total downstream capacitance to replace the loading capacitance. The resulting wire width is continuous and non-uniform within a wire segment. Note that when a discrete wire-sizing solution is needed, the mapping from a continuous solution to a discrete solution may lose its optimality.

4.2.2 Wiresizing to Minimize Maximum Delay or Achieve Target Delay

In addition to minimizing the weighted combination of delays, wire-sizing methods have been developed to minimize the maximum delay or achieve a target delay. We will present first the wire-sizing work [Sa94] to minimize the maximum delay in Subsection 4.2.2.A, where the Elmore delay model is used, then the wire-sizing work [MePD94] to achieve the target delay in Subsection 4.2.2.B, where a higher-order RC delay model is used, and finally the wire-sizing work [XuKY96] to minimize the maximum delay for a tree of transmission lines in Subsection 4.2.2.C, where a lossy transmission line model is used. Note that the Elmore delay model is suitable for formulations that minimize the weighted sum of delays for current CMOS designs, since

it has high *fidelity* with respect to the SPICE-computed delay for the wire-sizing optimization, which is verified by the experiments in [CoHe96a] based on the 0.5 μm CMOS designs. On the other hand, in order to achieve the *target delay* or handle MCM designs, more accurate delay models are required as in [MePD94, XuKY96]. Furthermore, several iterations of the procedures to minimize the weighted delay can be used to minimize the maximum delay or achieve the target delay by adjusting the weight penalty assignment in practice. Particularly, the Lagrangian relaxation wire-sizing work [ChCW96a] proposes an optimal method to assign the weight penalty, which will be presented in Subsection 4.2.2.D.

A. Single-Source RC Tree under Elmore Delay Model

Sapatnekar [Sa94] studied the wire-sizing problem to minimize the maximum delay under the Elmore delay formulation of Eqn. (3). First, he showed that the separability no longer holds for minimizing the maximum delay. So, the dynamic programming based approach in [CoLZ93, CoLe93] does not apply. However, since the Elmore delay in an RC tree is a posynomial function of wire widths as first pointed out in [FiDu85], it has this property that the local optimum is also the global optimum; thus a sensitivity-based method like that used in [FiDu85] can be applied.

The algorithm in [Sa94] goes through a number of iterations. In each iteration, the sink with the largest delay is identified and the sensitivity S_i given in the following is computed for each wire segment i on the path from the source to the identified sink:

$$S_i = \frac{\text{Delay}(F \cdot w_i) - \text{Delay}(w_i)}{(F - 1) \cdot w_i}$$

where $\text{Delay}(w_i)$ is the delay from the source to the identified sink and F is a constant larger than 1 (set to 1.2 or 1.5 in [Sa94]). Intuitively, the sensitivity is the delay reduction of unit wire area increment. For all wires on the path from the source to the identified sink, the width of the wire with the minimum negative sensitivity will be multiplied by $F > 1$. The iteration is stopped when no wire has a negative sensitivity or the delay specification is satisfied.

Since a posynomial function can be mapped into a convex function, the convex programming technique developed in [Va89, SaRV93] was applied in [SaSa94] by Sancheti and Sapatnekar to achieve the exact solution at higher computation costs. Note that both algorithms in [Sa94] and [SaSa94] produce wire-sizing solutions assuming continuous wire width choices, and then map them into the discrete wire widths. The optimality of the wire-sizing solution may be lost after mapping.

B. Single-Source RC Tree under Higher-Order RC Delay Model

In [MePD94], a moment fitting approach is used to wiresize RC interconnect trees to achieve the target delays and slopes at critical sinks. Let *target moments* be moments for the 2-pole transfer functions that have the target delays and slopes at critical sinks, and *real moments* those for the transfer function under the current wire width assignment for the RC tree, Menezes et al. propose to modify the wire width assignment in the RC tree to match the real moments with the target moments so that the target delays and slopes will be obtained.

The sensitivities of real moments with respect to the wire widths are used to guide the search for the proper wire widths. The method works as follows: First, for each sink, a 2-pole transfer function is generated so that it has the target delay and slope at the sink. For each transfer function, the first four target moments are obtained. Then, the first four real moments are computed for

each sink based on the recursive method developed in [PiRo90], which computes the higher moments from the lower moments, and a $O(MN^2)$ method is proposed to compute the sensitivities with respect to the wire widths for real moments, where M is the number of critical sinks and N the number of wire segments. Finally, such sensitivity values guide the search for wire widths to minimize the *mean square error* between the first four target moments and the first four real moments for *every* critical sink.

Furthermore, the following is proposed in order to achieve the solution with smaller area: each wire is assigned a weight in order to favor those wires which are related to the more critical sinks and those wires with respect to which the critical sinks exhibit larger Elmore delay sensitivities. Widening those wires has the maximum effect on delay with a minimal area penalty. Moreover, the delay sensitivity with respect to the driver area is also computed and compared with the delay sensitivity with respect to the interconnect area to empirically determine whether a larger driver should be used. The approach is extended in [MePP95] to conduct simultaneous gate and interconnect sizing, which will be presented in Section 4.3. Note that the algorithm in [MePD94], similar to [Sa94, SaSa94], assumes continuous wire width choices for their wire-sizing solutions.

C. Single-Source Tree of Transmission Lines under Lossy Transmission Line Model

The wire-sizing work by Xue and Kuh in [XuKY96] takes the wire inductance into account by modeling each wire segment as a lossy transmission line, and sizes the wire segments in an interconnect tree to minimize the maximum delay. The maximum delay and its sensitivities with respect to wire widths are computed via high order moments. Based on the exact moment matching method in [YuKu95a], the higher moments and their sensitivities with respect to the wire widths are computed recursively from the lower moments and the sensitivities can be computed analytically. Thus, the maximum delay and its sensitivities with respect to the wire widths can be computed efficiently. The following procedure is repeated to reduce the maximum delay: First, one computes the high order moments, the maximum delay (t_d) and its sensitivity with respect to every wire width ($\frac{\partial t_d}{\partial w_i}$). Then, if a wire segment e_i has the maximum $|\frac{\partial t_d}{\partial w_i}|$, e_i will be assigned either the next larger or smaller wire width, based on the polarity of $\frac{\partial t_d}{\partial w_i}$. The procedure iterates until the sensitivities of the maximum delay becomes small.

[XuKY96] showed the following experimental results: The 2-pole transfer function with moments m_0, m_1 and m_2 ($m_0 = 0$) is reasonably accurate when compared with SPICE2. The approach can reduce the rising delay in the critical sink by over 60% with a small penalty in routing area ⁸. The monotone property is still true under this lossy transmission line formulation. The final wire-sizing solution reduces the overshoot and is more robust under parameter variation.

D. Weighted Delay Formulation versus Maximum Delay Formulation

All the wire-sizing algorithms presented in Section 4.2.1 for minimizing the weighted sum of delays can be used to minimize the maximum delay by iteratively adjusting the weights so that the sinks with larger delays have higher weights. In particular, Chen, Chang and Wong [ChCW96a] showed that for the continuous wire-sizing formulation where the wire width can be any value between the lower and upper bounds, the weighted delay formulation is able to optimally minimize the maximum delay

⁸Note that the delay in a tree of transmission lines is the sum of flying time and the rising delay of the response waveform. Wiresizing only affects the rising delay, and the delay reduction means the reduction of the maximum rising delay at threshold voltage of 0.5Vdd

among all sinks. They formulated the following Lagrangian relaxation problem:

$$\begin{aligned} \text{Minimize} \quad & t_{max} + \sum_{s_i \in \text{sink}(T)} \lambda_i(t_i(W) - t_{max}) \\ \text{Subject to} \quad & t_i(W) < t_{max} \end{aligned}$$

where $t_i(W)$ is the delay from the source to sink s_i under the current wire-sizing solution W and t_{max} is the maximum delay from the source to all sinks.

The following two-level algorithm was proposed in [ChCW96a]: in the outer loop, the weights associated with the delays from the source to sinks are dynamically adjusted, which are basically proportional to the delays at the sinks. In the inner loop, the continuous wire-sizing solution is computed for the given set of weights, by the wire-sizing algorithm [ChCW96b] (Section 4.2.1.D) to minimize the weighted linear combination of delays. They showed that the Lagrangian relaxation iteration will converge to an optimal solution in terms of maximum-delay minimization. Moreover, the authors expanded their Lagrangian relaxation based algorithm to simultaneous wire and buffer sizing for buffered clock trees to minimize the weighted combination of delay, power and area minimization, and to address the problem of skew and sensitivity minimization for clock trees.

4.3 Simultaneous Device and Wire Sizing

The device sizing works presented in Section 4.1 model the interconnect as a lumped loading capacitor and do not consider the possibility of sizing the interconnect. On the other hand, the wiresizing works presented in Section 4.2 model the driver as a fixed effective resistor and do not consider the need to size the device again after interconnects have been changed. Both approaches may lead to suboptimal designs. As a result, a number of recent studies size both devices and interconnects simultaneously. These methods will be discussed in this subsection.

4.3.1 Simultaneous Driver and Wire Sizing

The simultaneous driver and wire sizing problem for delay minimization (SDWS/D problem) was studied in [CoKo94]. The switch-level model is used for a driver and both the gate and the drain (output) capacitances of the transistor are taken into account, while the interconnect tree is modeled by a distributed RC tree as was used in [CoLe95]. The objective function is to minimize the summation of the delay for cascaded drivers and the weighted delay for the RC tree. The SDWS/D algorithm is based on the following important relation between the driver size and the optimal wire sizing:

Driver and Wire Sizing Relation [CoKo94]: Let R_d be the effective resistance for the last stage driver and W^* be the optimal wire sizing solution for driver resistance R_d . If R_d is reduced to R'_d , the new corresponding optimal wiresizing solution W'^* dominates W^* .

The core for the SDWS/D algorithm is the procedure to compute the optimal driver and wire sizing when given a stage number k , which works as follows. First, the algorithm starts with the minimum wire width assignment and computes the capacitive load of the routing tree. Then, it computes the optimal sizes of the k cascaded drivers based on Lin-Linholm Theorem in Section 4.1.1. Next, the optimal wiresizing algorithms (GWSA followed by OWSA) developed in [CoLe95] are performed on the routing tree based on the effective resistance of the last driver. If the wire width assignment changes, the new driver sizes are obtained according to Lin-Linholm Theorem. Then, the optimal wiresizing solution will be computed again based on the new

size of the last driver. The process is repeated until the wire width assignments do not change in consecutive iterations. In this case, the lower bounds are obtained for the optimal sizes of both the drivers and the wire segments.

The upper bound for the optimal sizing solution can be obtained similarly by beginning with the maximum wire width assignments. If the lower and upper bounds meet, the optimal solution is achieved, which occurs in almost all cases as shown in the paper. Otherwise, the size of the last driver is enumerated between the lower and upper bounds. The corresponding optimal wire sizes and the first $(k - 1)$ driver sizes are computed, and the optimal k -driver SDWS/D solution is selected for this set.

The overall SDWS/D algorithm computes the optimal number of stages by a linear search, increasing k starting with $k = 1$. The process terminates when stage k does not perform better than stage $k - 1$ (i.e. when adding an additional driver actually slows down the circuit). Then, the optimal sizing solution for the $k - 1$ stage drivers and the corresponding optimal wiresizing is the optimal SDWS/D solution. In practice, the runtime of SDWS/D is on the same order as k times the runtime of the GWSA algorithm followed by the OWSA algorithm to compute the optimal wiresizing algorithm. Note that the BWSA algorithm [CoHe95] presented in Section 4.2.1.C can be used to greatly speed-up the computation of the optimal wiresizing solution. The simultaneous driver and wire sizing problem for power minimization was also studied in [CoKo94] and the efficient optimal algorithm was developed. Accurate SPICE simulation shows that the method reduces the delay by up to 12%–49% and power dissipation by 26%–63% compared with existing design methods. Very recently, Cong, Koh, and Leung [CoKL96] extended the work on SDWS to handle driver/buffer and wire sizing for buffered interconnects. However, both [CoKo94, CoKL96] do not consider the waveform slope effect during the computation of the optimal driver/buffer sizes.

4.3.2 Simultaneous Gate and Wire Sizing

Recently, Menezes et al. [MePP95, MeBP95] studied the simultaneous gate and wire sizing problem for different objectives: to achieve the target delays in [MePP95], and to find the minimal-area solution to satisfy the performance requirement in [MeBP95].

A. Simultaneous Gate and Wire Sizing to Achieve Target Delay

The algorithm in [MePP95] is the extension of the moment fitting method for wiresizing [MePD94] (Section 4.2.2.C) to the simultaneous gate and wire sizing problem. Again, let *target moments* be moments for the 2-pole transfer functions that has the target delays, and *real moments* those for the transfer function under the current widths of all wires and gates, the sensitivities of the real moments with respect to the wire and gate widths will guide the search for wire and gate widths to match the real moments and target moments.

A higher-order RC delay model is used for the interconnect tree as in [MePD94]. Meanwhile, all transistors in a gate are assumed to scale by the same factor, which allows that a gate can be described by its “width” w_g . The gate is modeled by the single-resistor voltage-ramp model as proposed in [DaMQ94] (see Figure 6), which can accurately estimate the driver delay as well as output waveform slope. The sensitivities with respect to the gate and wire widths for real moments can be computed, which are used to guide the changes of gate and wire widths to achieve the target delay for a stage by the aforementioned moment-fitting method (in this work, a *stage* is a dc-connected path from the voltage source in the gate model to a sink).

Furthermore, the algorithm in [MePP95] handles a *path*, which contains cascaded stages. It is also based on the sensitivity guided moment-fitting method. The following assumption is made to simplify the sensitivity computations: given two successive stages n and $n + 1$ in a path, first, except the gate of stage $n + 1$, no wire/gate in stages $n + 1, n + 2, \dots$ affects the delay in

stage n ; Second, sizing the gate or a wire in stage n only affects the input transition time to the gate in stage $n + 1$, not those in stages $n + 1, n + 2, \dots$. In their experiment, the objective for each PI-PO path was a 50% delay reduction, through gate sizing only and simultaneous gate and wire sizing, respectively. It was shown that for larger delay reductions, simultaneous gate and wire sizing could achieve lower area and that gate sizing only could not reach 50% delay reduction because the path delay was dominated by the interconnect delay. The trade-off between the area and the delay reduction was shown as well.

B. Simultaneous Gate and Wire Sizing to Satisfy Performance Requirement

The simultaneous gate and wire sizing approach [MeBP95] is aimed at finding the minimal-area solution to satisfy the performance requirement. First, the driver is modeled by a fixed resistance driven by a step waveform and the delay of the interconnect tree is modeled by the Elmore delay model. The path delay in this case is a posynomial function of both gate and wire widths and the simultaneous gate and wire sizing problem is a posynomial programming problem which can be transformed into a convex programming problem. The sequential quadratic programming (SQP)⁹ is used to solve this transformed convex programming problem to achieve an optimal solution.

Then, the delay of the interconnect tree is modeled by the higher-order RC delay while the driver is modeled by a fixed resistance. Although the path delay is no longer a posynomial function of gate and wire widths, the authors assumed that it was near-posynomial so that the SQP method could be applied. A q -pole transfer function is used and the sensitivity computation of the poles and residues is conducted during the SQP procedure.

Finally, the driver is modeled by the more accurate single-resistor voltage-ramp model [DaMQ94]. Again, the near-posynomial is assumed for path delay and the SQP method is applied. The sizing results showed that the fixed-resistance driver model could lead to undersized solutions. RC meshes (non-tree interconnects) can be handled by the SQP method, again under the assumption that the delay formulation is near-posynomial.

4.3.3 Simultaneous Transistor and Wire Sizing

Very recently, the simultaneous transistor and interconnect(wire) sizing (STIS) problem is formulated and solved by Cong and He [CoHe96b, CoHe96c]. In order to minimize the delay along multiple PI-PO paths, they propose to minimize the weighted combination of delays for all stages in these PI-PO paths by choosing the discrete or continuous transistor sizes and wire widths.

Rather than developing *ad hoc* methods for STIS problems under different delay models, the authors study the optimization problems whose objective functions have the following form:

$$\begin{aligned}
 f(\mathbf{X}) &= \sum_{p=0}^m \sum_{q=0}^m \sum_{i=1}^n \sum_{j=1, j \neq i}^n \frac{a_{pi}(x_i)}{x_i^p} \cdot b_{qj}(x_j) \cdot x_j^q \\
 \text{where } &a_{pi}(x_i) \geq 0 \text{ and } b_{qj}(x_j) \geq 0 \\
 &\mathbf{0} < \mathbf{L} \leq \mathbf{X} \leq \mathbf{U}
 \end{aligned} \tag{31}$$

⁹According to [Po78], the SQP method reduces the nonlinear optimization to a sequence of quadratic programming (QP) subproblems. At each iteration, a QP subproblem is constructed from a quadratic linearization of both the objective function and the constraints about the solution from the previous iteration. The solution of the current iteration is then used as an initial solution for the next iteration. The iteration converges to a solution for a convex programming problem.

When coefficients are constants, the class of functions, named *simple CH-posynomials*, is a subset of posynomials defined in [Ec80]. Furthermore, they define the following *general CH-posynomials*, which are no longer posynomials.

General CH-posynomial: Eqn. (31) is a general CH-posynomial if coefficients satisfy the following conditions: (i) $a_{pi}(x_i)$ is a function of x_i . It monotonically increases with respect to an increase of x_i but $\frac{a_{pi}(x_i)}{x_i^p}$ still monotonically decreases with respect to an increase of x_i . (ii) $b_{qj}(x_j)$ is a function of x_j . It monotonically decreases with respect to an increase of x_j but $b_{qj}(x_j) \cdot x_j^q$ still monotonically increases with respect to an increase of x_j .

Let the optimization problem to minimize a simple/general CH-posynomial be a *simple/general CH-posynomial program*. After generalizing the concepts of local refinement operation and the dominance property in [CoLe95] (presented in Section 4.2.1.A), the authors of [CoHe96b, CoHe96c] showed the following important theorem:

Theorem (Cong-He): The dominance property holds for both the simple and the general CH-posynomial programs.

The theorem provides an easy way to verify the dominance property for both the single-source and the multi-source wiresizing problems in [CoLe95] and [CoHe95], respectively, since both objective functions are instances of the simple CH-posynomial. Furthermore, the theorem leads to efficient algorithms, for example, the generalizations of the GWSA algorithm [CoLe95] or the BWSA algorithm [CoHe95], to compute a set of lower and upper bounds of the optimal solution to a CH-posynomial program by the local refinement operation and the bundled refinement operation very efficiently (in polynomial time).

The authors of [CoHe96b, CoHe96c] further show that the STIS problem is a CH-posynomial program under the RC tree model for interconnects and a number models for the transistors, including both simple analytical models or more accurate table-lookup based models obtained by detailed simulation to consider the effect of the waveform slope. Thus, the BWSA algorithm [CoHe95] is generalized to compute the lower and upper bounds for the optimal widths for both wires and transistors.

Experiments show that in nearly all cases, the optimal solution to the STIS problem is achieved because the recursive application of local refinement operations using the dominance property leads to identical lower and upper bounds. In contrast to the transistor sizing algorithm in [FiDu85] that is not able to consider the waveform-slope effect for transistors, the dominance property based STIS algorithm can be efficiently applied to either analytical or table-lookup based transistor models with consideration of the waveform-slope effect. The simultaneous driver and wire sizing problem (for multi-source nets) and the simultaneous buffer and wire sizing problem have been solved as special cases of the STIS problem, and a smooth area-delay trade-off has been yielded for the transistor sizing problem for circuits implemented by complex gates.

4.3.4 Simultaneous Buffer Insertion and Wire Sizing

The polynomial-time dynamic programming algorithm for the buffer insertion problem [va90] was generalized in [LiCL95] to handle the simultaneous wiresizing and buffer insertion for both delay and power minimization. The slope effect on the buffer delay was also taken into account. Only the delay minimization feature will be discussed in the following.

Different from [va90], when a wire segment of length l (with upstream node k) is added at the root i of a dc-connected subtree, a new option (q_k, c_k) will be generated at k for every wire width choice w and every (q_i, c_i) at i as the following:

$$\begin{aligned} q_k &= q_i - \frac{r}{w} \cdot l \cdot \left(\frac{c_a \cdot w \cdot l}{2} + c_i \right) \\ C_k &= c_i + c_a \cdot w \cdot l \end{aligned}$$

The non-uniform wiresizing can be easily carried out by just introducing 2-degree Steiner points within a wire segment, and the other two bottom-up rules to compute new options (with extension to multiple inverter sizes and consideration of the signal polarity) and the rule to prune suboptimal options given in [va90] can be applied without any modifications. The number of total options at the source of the routing tree is still polynomial bounded.

According to [HeJe87], the delay of an inverter is the delay under the step input plus an increment due to the input slope. The increment is proportional to the input waveform transition time. By assuming that the delay increment due to the input slope is proportional to the Elmore delay D_{prev} in the previous stage, [LiCL95] further formulated the following buffer (inverter) delay for the downstream capacitance c_k .

$$buf_delay_s(b, c_k) = buf_delay(b, c_k) + \lambda_b D_{prev}$$

where $buf_delay(b, c_k)$ equals to $D_{buf} + R_{buf} \cdot c_k$ with D_{buf} being the intrinsic delay of an inverter and D_{prev} being the Elmore delay of the previous wire path.

Because the dynamic programming works from the bottom-up and D_{prev} is unknown, the option is re-defined as (f, c) instead of (q, c) when considering the slope effect, where f is a piece-wise linear function and $f(x) = q$ is the optimal required arrival time q for the downstream capacitance c and $D_{prev} = x$. With this new definition for the option, the number of total options at the source of a routing tree is no longer polynomially bounded in the theoretical sense. However, it was observed in [LiCL95] that the run time of the new version is comparable to that of its simpler version assuming step-input to buffers.

4.4 Simultaneous Topology Construction and Sizing

All wire and device sizing works presented up to now assume that the topology of interconnects is given, which can be called *static* sizing. Recently, dynamic wiresizing has been studied, where the wiresizing is performed during interconnect construction. Furthermore, simultaneous interconnect construction, buffer insertion and sizing, and wiresizing has been studied in order to achieve even better designs.

4.4.1 Dynamic Wiresizing during Topology Construction

Hodes, McCoy and Robins [HoMR94] propose a method to do wiresizing *dynamically* during tree construction. They combine the Elmore Routing Tree (ERT) algorithm [BoKR93] (Section 3.3) and the GWSA algorithm [CoLe93] (Section 4.2.1) as follows: starting with a degenerate tree initially consisting of only the source pin, grow the tree at each step by finding a new pin to connect to the tree in order to minimize the Elmore delay in the current *wiresized* topology. In other words, in each step they invoke the GWSA algorithm for each candidate edge and add the edge that yields the wiresized tree with the minimal maximum delay. After the construction spans the entire net, the GWSA algorithm is invoked once more to wiresize the entire tree, starting with the minimal width.

Recently, Xue and Kuh [XuKu95b, XuKu95a] propose insertion of multi-links into an existing routing tree and do dynamic wiresizing during the link insertion in order to minimize the maximum delay. The Elmore delay formulation for RC meshes in [Wy87] is used. The algorithm works as follows: Given a routing tree with a performance requirement, the sink n_{max} with the maximum delay is identified. A wire link e is established between the source and n_{max} . While the performance requirement is

not met and n_{max} remains the most critical (i.e., still has the max-delay), e is assigned with non-uniform wire width. Suppose n'_{max} becomes the most critical sink after wiresizing on e . If there is a direct link e' from source to n'_{max} , then the algorithm sizes the wire of e' instead until n'_{max} is no longer the most critical sink or the delay requirement is met. If there is no direct link e' from source to n'_{max} , e' will be established only if further wiresizing of e can not satisfy the performance requirement with less area than creating the new link e' . The wiresizing is formulated as a Sequential Quadratic Programming (SQP) problem. Moreover, non-uniform wiresizing is achieved by dividing every segment into a number of sub-segments defined by the user. Because the sink with the maximum delay also has the maximum skew, minimization of the maximum delay also minimizes the maximum skew.

4.4.2 Simultaneous Tree Construction, Buffer Insertion and Wiresizing

Most recently, Okamoto and Cong [OkCo96b] study the simultaneous tree construction, buffer insertion and wiresizing problem¹⁰. The following techniques are combined to develop a *wiresized buffered A-tree (WBA-tree)* algorithm: the A-tree algorithm for tree construction [CoLZ93], the simultaneous buffer insertion and wiresizing algorithm [va90, LiCL95], *critical path isolation*, and a *balanced load decomposition* used in logic synthesis. In logic synthesis, when one or several sinks are timing-critical, the critical path isolation technique (Figure 24(a)) generates a fanout tree so that the root gate drives only the critical sinks and a smaller additional load due to buffered non-critical paths. On the other hand, if required times at sinks are within a small range, balanced load decomposition (Figure 24(b)) is applied in order to decrease the load at output of root gate. These transformations are applied recursively in a bottom-up process from the sinks in the same manner as the A-tree and the simultaneous buffer insertion and wiresizing algorithms.

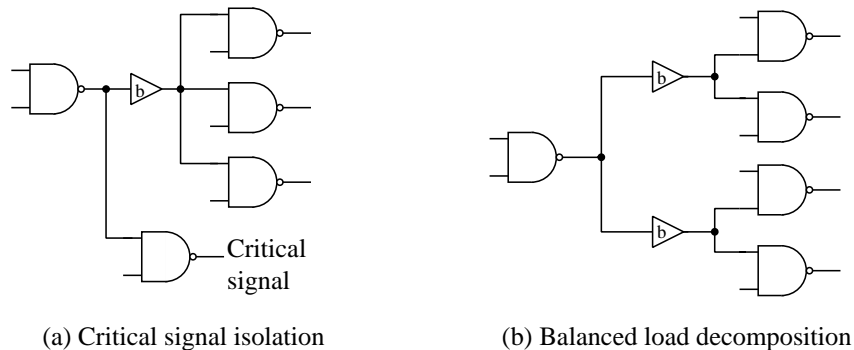


Figure 24: Fanout optimization in logic synthesis

As in the buffer insertion algorithm of [va90] (Section 4.1.3), the WBA algorithm include two phases: the bottom-up synthesis procedure and the top-down selection procedure. Similar definitions of the option and the pruning rule are used. Recall the heuristic move in the A-tree algorithm [CoLZ93] merges subtrees recursively in the bottom-up manner, starting from the set of subtrees, each containing a single sink. Let T_i be subtree rooted in node i , the following basic steps are iterated in the bottom-up synthesis procedure.

¹⁰An early version of this work considers only simultaneous topology construction and buffer insertion [OkCo96a].

- Select v and w with considering critical path isolation and balanced load decomposition.
- Merge T_v and T_w to T_r , and compute a set of options at r .

In order to select the pair of v and w (equivalent to T_v and T_w) to merge, first, the following concepts are defined:

The distance between the source and the merging pair of v and w , denoted D_{vw} , is defined as $D_{vw} = \min(v_x, w_x) + \min(v_y, w_y)$. This definition is for the case that v and w are in the first quadrant with s_0 at the origin. Other cases can be defined in a similar way.

The maximum possible required time at the root r of subtree T_r generated by merging of T_v and T_w , denoted R_{vw} , is defined as $R_{vw} = \max_{z \in Z_r} q_z$, where r is the merging point of T_v and T_w , and Z_r is a set of options at r .

The maximum R_{vw} among all possible merging pairs v and w in the set of roots $ROOT$ of the current subtrees, denoted $R_{max}(ROOT)$, is defined as $R_{max}(ROOT) = \max_{v,w \in ROOT} R_{vw}$

The merging cost for v and w is defined as $merge_cost(v, w, ROOT) = \alpha * R_{vw} + (1 - \alpha) * D_{vw}$ where α is a fixed constant with $0 \leq \alpha \leq 1.0$.

Then, the v and w pair with the maximum $merge_cost$ is the one to be merged. The idea behind it is as follows: we want to maximize the required arrival time in the source pin so that we wish that the R_{vw} is as large as possible. Meanwhile, we want to minimize the total wire length, intuitively, we wish that D_{vw} is as large as possible. Note that, when $\alpha = 0$, it is equivalent to the heuristic move in [CoLZ93].

The option computation and pruning can be carried out in a manner similar to [va90, LiCL95] after each merging of T_v and T_w . Overall, after the bottom-up synthesis procedure to construct tree and compute options, the top-down selection procedure is invoked. It chooses the option which gives the maximum required time and the minimum total capacitance at the source pin, then traces back the computations in the first phase that led to this option. During the back-trace, the buffer positions and wire width of each segments are determined.

Similarly, Lillis *et al* studied the simultaneous tree construction and wiresizing problem [LiCL96b] and the simultaneous tree construction and buffer insertion problem [LiCL96a], respectively. In fact, their method can generalized to handle the simultaneous tree construction, buffer insertion and wiresizing problem as well. In short, during the dynamic program scheme to construct a P-Tree [LiCL96b] (Section 3.3) in a bottom-up manner for a given permutation, a set of options are computed for each subtree as in [va90, LiCL95] and the same option pruning rule is applied.

5 High-Performance Clock Routing

In layout synthesis, the distribution of clock signals is critical to both the operation and performance of synchronous systems. If not properly controlled, the clock skew, defined to be the difference in the clock signal delays to registers, can impact the performance of the system and even cause erratic operations of the system, e.g., latching of an incorrect data signal within a register. At the same time, the routing solutions to distribute the clock signals should have low wiring area to reduce the die size and the capacitive effects on both performance and power dissipation. Due to technology scaling where long global interconnect becomes highly resistive as the wire dimensions decreases, the clock routing problem has become increasingly important since clock nets generally have very large fanout and span the entire chip. Thus, clock synthesis has generated tremendous interests

within both the industrial and academic communities over the past several years.

In general, the clock routing problem can be formulated as follows: Given a set $\{l(s_1), \dots, l(s_n)\} \subset \mathcal{R}^2$ of sink (register) locations and skew constraints on various pairs of registers, construct a minimum-cost clock tree that satisfies the skew constraints. Most of the works deal with zero-skew clock tree (ZST) construction where all sinks are required to have identical clock delay. There are possibly other constraints and/or objectives to the problem:

(i) We want to impose a constraint on the rise/fall times of the clock signal at the sinks since it is critical to keep the clock signal waveform clean and sharp.

(ii) We want to minimize the delay of clock signal, which is closely related to the rise/fall time.

(iii) We want to minimize the total power dissipation since a clock signal typically operates at a very high frequency and dissipates a large amount of the power.

(iv) We want the clock tree to be tolerant of *process variations*, which cause the wire widths and device sizes on the fabricated chip to differ from the specified wire widths and device sizes, respectively, resulting in so-called *process skew*, i.e. clock skew due to process variations.

In the rest of the discussion on clock routing, we consider the following clock routing problem: Given a set of sink locations and a skew bound $B \geq 0$, construct a minimum-cost clock tree T that satisfies $skew(T) \leq B$ where $skew(T) = \max_{i,j} |t_i - t_j|$. In most works, $B = 0$, i.e., they attempt to achieve zero-skew for the clock net. This formulation requires the clock signal to arrive at all sequential elements almost at the same time, which is commonly used in random logic design. For data path design, however, it is possible to optimize the circuit performance by planning the clock arrival times (clock schedule) at all registers more carefully; “intentional” clock skews are used constructively to improve system performance. Clock schedule optimization will be discussed in Section 5.6.

Recent works on clock skew minimization have accomplished exact zero skew under both the pathlength delay model [BoKa92, Ed91, Ed92] and the Elmore delay model [Ts91, BoKa92, ChHH92a, ChHH92b]. The *Deferred-Merge Embedding* (DME) algorithm by [BoKa92, ChHH92a, Ed91] can be either applied to a given clock topology or combined with a clock topology generation algorithm to achieve zero skew with a smaller wirelength [Ed93a]. The methods in [CoKo95, HuKT95, CoKK95] address the *bounded-skew tree* (BST) construction problem under the pathlength and Elmore delay models by extending the DME algorithm for zero-skew tree to BST/DME algorithms by the enabling concept of a *merging region*, which generalizes the merging segment concept of [BoKa92, ChHH92a, Ed91] for zero-skew clock trees. Recent studies on clock routing have also led to new methods for single-layer (planar) clock routing [ZhDa92, KaTs94a, KaTs94b]. Furthermore, a number of authors have applied wiresizing optimizations and/or buffer optimizations to minimize phase delay [PuMO93, Ed93b, MePP93, PuMP93], skew sensitivity to process variation [PuMO93, ChCh94, LiWo94, XiDa95], and/or power dissipation [PuMO93, ViMa95].

Most of these works are based on the pathlength and Elmore delay models. In practice, bounding pathlength skew does not provide reliable control of actual delay skew [CoKK95]. For example, Figure 25(a) plots HSPICE delay skew against pathlength delay skew for routing trees generated by the Greedy-BST/DME algorithm under pathlength delay [CoKo95, HuKT95] on MCNC benchmark circuit r3 [Ts91]. Not only is the correlation poor, but the pathlength-based BST solutions simply cannot meet tight skew bounds (of 100ps or less). On the other hand, Figure 25(b) demonstrates the accuracy and fidelity of Elmore delay skew to actual skew for routing trees constructed by the Greedy-BST/DME algorithm under Elmore delay [CoKK95]. Nevertheless, for completeness, we will discuss studies under both pathlength and Elmore delay models. The clock routing

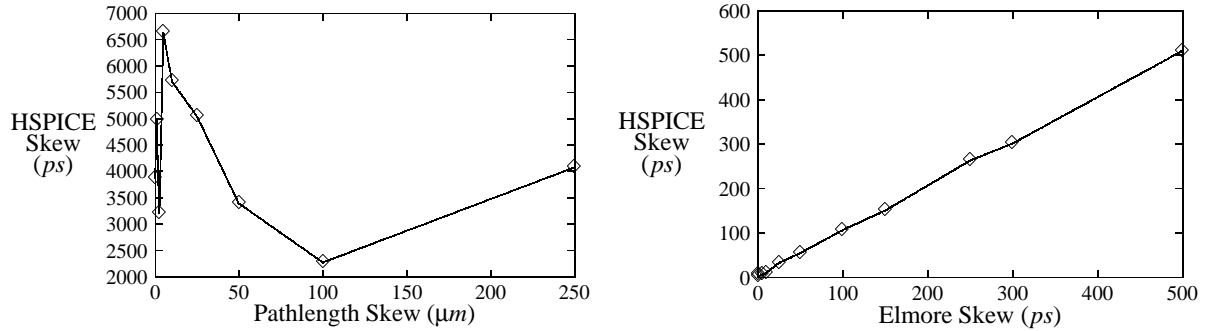


Figure 25: Plots of (a) pathlength skew and (b) Elmore delay skew versus actual (SPICE simulation) delay skew for routing solutions obtained by Greedy-BST/DME algorithm [CoKK95] under pathlength delay and Elmore delay for benchmark r3.

problem under the pathlength problem is more tractable and theoretically interesting. Many important results are obtained under the pathlength delay model. Also note that most of the studies on clock routing are first based on the pathlength delay model and later extended to handle the Elmore delay model.

We will present various works on clock routing based on the following classification: (i) Abstract topology generation, (ii) Embedding of abstract topology, (iii) Planar routing, (iv) Buffer and wire sizing, (v) Non-tree clock routing, and (vi) Clock schedule optimization. Many results in (i)–(iii) were also surveyed in [KaRo94]. While we aim to cover all recent works on interconnect design and optimization in high performance clock routing in this section, this is not a comprehensive survey on clock synthesis and we left out some related topics. For example, there is a clock synthesis algorithm that specifically targets towards low power design using gated clock [TéFS95]. Two-level clock routing with the upper level routing in multichip module substrate has also been studied [ZhXDS94]. In addition, there are studies that target hierarchical data path design (instead of flat logic design) [NeFr93, NeFr94, NeFr95] and consider retiming [Fr92b, SoFr94, SoFM95] using skew information. Interested reader may also refer to [Fr95] for a survey on different aspects of clock synthesis.

5.1 Abstract Topology Generation

There are generally two approaches in generating the abstract topology: Top-down and bottom-up. In the top-down approach, the idea is to perform bipartitioning of sinks. A set S of sinks is bipartitioned into two sets S_1 and S_2 where each set (S , S_1 and S_2) corresponds to a node in the abstract topology and S is the parent of S_1 and S_2 in the topology. On the other hand, the basic idea in the bottom-up approach is to perform clustering, i.e. merging two sets S_1 and S_2 into S . The recursive clustering also defines an abstract topology. Many methods actually generate the abstract topology and embed the topology in one pass. But, we separate abstract topology generation from embedding since once the abstract topology is given, embedding can be done optimally (under the pathlength delay model) or near-optimally using the algorithms to be described in Section 5.2.

5.1.1 Top-Down Topology Generation

In an *H-tree* topology [FiKu82, KuGa82, WaFr83, DhFW84, BaWM86], the basic building block is a regular H-structure.¹¹ All four corners of the H-structure are equi-distant from the center of the structure. The H-tree algorithm minimizes clock skew by repeating the H-structure recursively top-down as shown in Figure 26. In the figure, all points labeled 4 are pathlength equi-distant from the origin labeled 0.

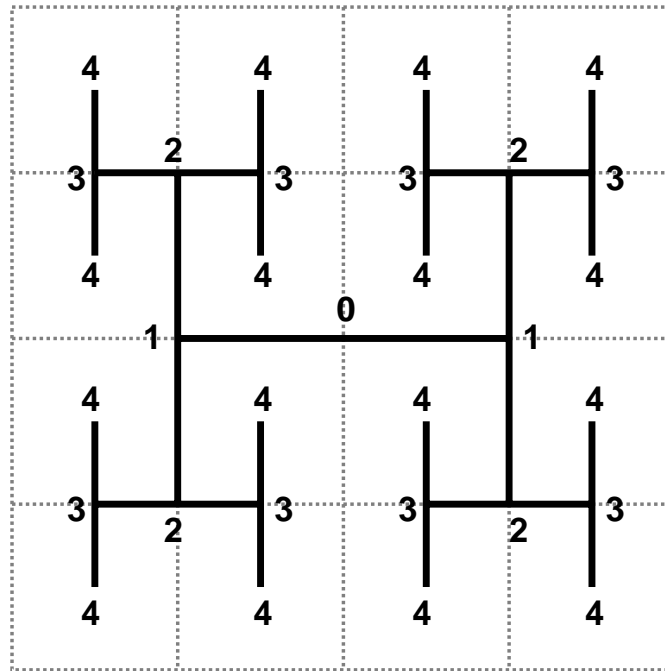


Figure 26: H-clock tree. Nodes labeled 4 are equi-distant from the origin labeled 0.

H-Trees, while effective in equalizing path lengths from a driver to a set of sinks, have serious limitations. These trees are best suited for regular systolic layouts, and are not easily adapted to irregular placements with varying sink capacitances, which are common for cell-based designs. Moreover, tree lengths can be excessively high for large clock nets, impacting circuit area, power consumption, and clock rates for large circuits.

The *Method of Means and Medians* (MMM) algorithm proposed by Jackson, Srinivasan, and Kuh [JaSK90] generalizes the H-tree algorithm; the idea is to perform partitioning along x and y directions alternatively. Given a set of sinks $S = \{s_1, s_2, \dots, s_n\}$ to be partitioned, the MMM method first computes the center of mass of S , denoted $c(S)$, by calculating the means of the x - and y -coordinates of sinks in S :

$$x_{c(S)} = \frac{\sum x_i}{n}, \quad y_{c(S)} = \frac{\sum y_i}{n}$$

¹¹Another scheme that yields equal-length interconnections is the X-clock tree, where the basic building block is an X-structure [Ba90]. It can be verified easily that for the simple case of four sinks at the corners of a unit square, an X-tree connection can be embedded on a rectilinear plane using a cost of 4 units, whereas an H-tree connection requires only a cost of 3 units. An X-tree is more costly due to overlapping routing when it is realized on a rectilinear plane [KaTs94a].

The set of sinks are then ordered by their x - and y -coordinates. If S is to be partitioned in the x (y) direction, then sinks in the first half of the ordered sink set are grouped in the S_{left} (S_{bottom}) partition and the rest of the sinks belong to the S_{right} (S_{top}) partition. The algorithm then routes from the center of mass $c(S)$ to centers of mass of partitions, $c(S_{left})$ and $c(S_{right})$ (or, $c(S_{bottom})$ and $c(S_{top})$). Then, it routes on the subsets S_{left} and S_{right} (or, S_{bottom} and S_{top}) recursively until a partition has only one sink. Instead of routing alternatively between the horizontal and vertical directions, the *MMM* method is also extended to allow one level of “look-ahead” to determine the more favorable direction.

Chao, Hsu, and Ho [ChHH92a] presented another top-down topology generation approach called the *Balanced Bipartition* (BB) method. The heuristic divides the sink set recursively into two partitions with nearly equal total loading capacitance. It is more general than the *MMM* method which uses only horizontal and vertical cuts. Given a set S of sinks, the BB method first computes the smallest octagon that bounds S and obtains the octagon set of S , $Oct(S)$, which is defined to be the set of sinks in S that lie on the boundary of the smallest boundary octagon. The sinks in $Oct(S)$ are sorted in circular order based on their locations on the boundary of the smallest boundary octagon.

The BB method computes a balanced bipartition by considering $|Oct(S)|/2$ reference sets, denoted REF_i for $1 \leq i \leq |Oct(S)|/2$, where each REF_i contains $|Oct(S)|/2$ consecutive sinks in $Oct(S)$. For each REF_i , the sinks are sorted in ascending order of their weights, where the weight of sink p with respect to REF_i is defined to be $\min_{r \in REF_i} d(p, r) + \max_{r \in REF_i} d(p, r)$. Each sink is then added to a partition S_1 according to the sorted order until the difference between the sum of capacitances in S_1 and one half the total capacitance is minimized. The rest of the sinks are placed in S_2 and REF_i has a partition cost of $diameter(S_1) + diameter(S_2)$. The reference set REF_i (and its bipartitions) with the least partition cost are selected. As in the *MMM* algorithm, recursion then continues on the subsets S_1 and S_2 . Note that BB is a purely topology generation algorithm. It relies on the embedding algorithm to be presented in Section 5.2 to embed the abstract topology generated.

5.1.2 Bottom-Up Topology Generation

In contrast to the top-down approaches of [JaSK90, ChHH92b], the *KCR geometric matching* algorithm was proposed by Kahng, Cong, and Robins [KaCR91, CoKR93] as the first bottom-up approach for clock tree abstract topology generation. It constructs a routing tree by iteratively joining pairs of subtrees which are “close,” and can handle cell-based design with asymmetric distributions of clock pins and general-cell design [CoKR91, CoKR93]. The *KCR* algorithm starts with a set S of trees, each containing a single sink of the clock net. At each iteration, a minimum-weight maximum matching is performed on the set of roots of the current subtrees, where the weight of a matched edge is equal to the distance between the two vertices (or tree roots) connected by the edge. The matching operation selects $|S|/2$ edges that pair up the roots of all trees such that no root appears in two edges in the matching.

For each edge in the matching, the pair of subtrees are connected by the edge and a *balance point* on the edge is computed to minimize pathlength skew to the leaves of its two subtrees, i.e. the maximum difference in the pathlength delays from the balance point to the sinks in the two subtrees is minimized. This balance point also serves as the root of a tree in the next iteration. An example to illustrate the *KCR* algorithm is shown in Figure 27.

Note that it is possible that no balance point along the edge can be found to achieve zero skew. A further optimization, called

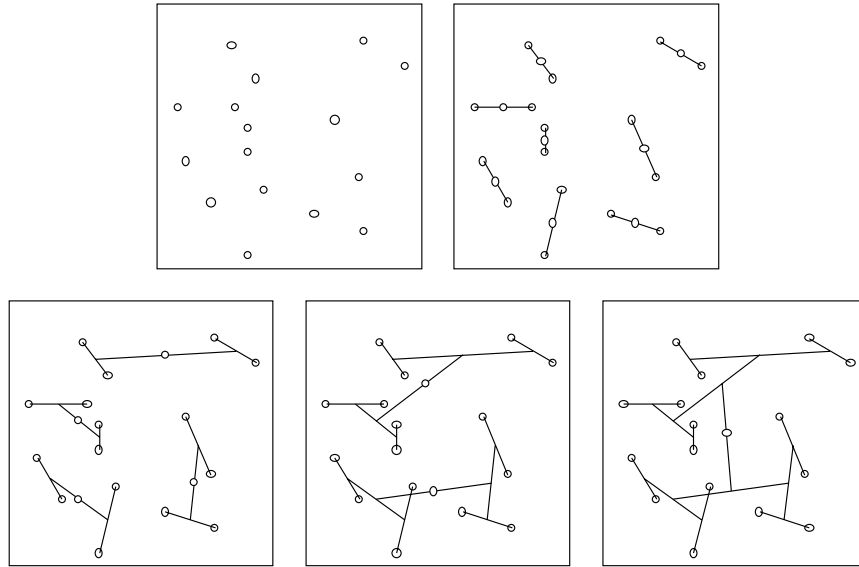


Figure 27: Geometric matching on a set of 16 terminals.

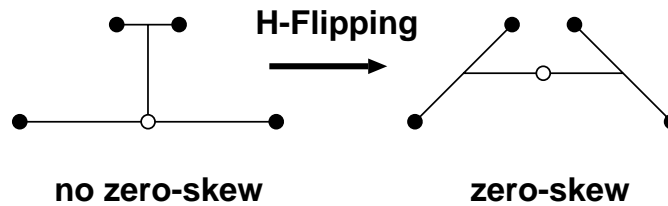


Figure 28: Example of flipping an H to minimize clock skew: the tree on the left has no zero-skew balance point along the middle segment of the “H”, while the tree on the right does.

H-flipping is used to minimize clock skew when two trees are merged in the matching iteration (See Figure 28).¹²

Since the number of trees is reduced by half at each iteration of the matching, the complete clock tree topology can be computed after $\log n$ matching iterations. The time complexity of the KCR algorithm is $O(M \log n)$ where M is the time complexity of the matching algorithm. To solve problems of practical interest, efficient matching algorithms are chosen over optimal matching algorithm. Several efficient heuristic matching algorithms that were recommended by [CoKR93]. However, heuristic matching algorithms may produce a matching with crossing edges. In the KCR algorithm, intersecting edges in such a matching are uncrossed to reduce routing cost.

The authors also generalized the idea of bottom-up iterative matching to route clock nets in building block layouts, in which a circuit is partitioned into a set of arbitrarily-sized rectangular blocks. After the blocks are placed by a placement algorithm, a floorplan and the corresponding *channel intersection graph* is obtained. Routing is carried out in the channels between blocks. In a floorplan, a vertical channel and a horizontal channel may intersect. These intersection points are vertices in the channel

¹²An *H*-structure in the KCR algorithm is not a regular H-structure in H-tree algorithm.

intersection graph. In the channel intersection graph, vertices u and v are connected by an edge if and only if there is a channel from u to v not containing any other vertex. An *augmented channel intersection graph* (ACIG) is used to capture the location of clock pins (or clock entry points) of functional elements. Each entry point is also a vertex in the ACIG. The entry point also introduces an auxiliary vertex on the channel, and an edge is created between the block entry point and the auxiliary vertex in order to complete the routing.

For the KCR algorithm to work in an ACIG, instead of using the geometric distance as the cost of the edge between two subtrees, the shortest distance on the channel graph is used as the cost of the edge connecting two points. Therefore, an additional component in the KCR algorithm for general cell design is the shortest path algorithm to compute the shortest paths between all pairs of vertices in each iteration. For each pair of matched vertices, a balance point along the shortest path connecting the two vertices is computed, and the balance point then serves as a vertex to be matched in the next iteration.

In general, the KCR algorithm performs better than the MMM algorithm, in terms of both routing cost and clock skew (under the pathlength delay model). The algorithms were evaluated using random point sets. Moreover, two MCNC benchmark circuits, named Primary1 and Primary2, reported in [JaSK90] were also used in the experiment. No data for the BB method is available since BB produces only an unembedded binary tree topology. Note that both the MMM and KCR algorithms cannot guarantee zero-skew routing, although the routing solutions constructed by the KCR algorithm have skews very close to zero.

The two benchmark circuits Primary1 and Primary 2, together with the other five benchmark circuits r1 to r5 reported in [Ts91], would later become the most commonly used benchmark circuits to evaluate the quality of routing solutions generated by various clock routing algorithms. Otherwise specified, the experimental results reported by various papers will be presented with respect to these benchmark circuits.

5.2 Embedding of Abstract Topology

Given a prescribed abstract topology, the *Deferred-Merge Embedding* (DME) algorithm, proposed independently by Edahiro [Ed91], Chao, Hsu, and Ho [ChHH92a], and Boese and Kahng [BoKa92], achieves exact zero skew for both pathlength and Elmore delay models. The enabling concept is that of a *merging segment*. The problem of bounded-skew embedding was first addressed independently by Cong and Koh [CoKo95], and Huang, Kahng, and Tsao [HuKT95] under the pathlength delay model. Cong et al. [CoKK95] later extended the works to handle bounded-skew embedding under the Elmore delay model. The BST/DME algorithms proposed by [CoKo95, HuKT95, CoKK95] generalize the merging segment concept and introduce *merging region* for bounded-skew embedding. These embedding algorithms (both zero-skew and bounded-skew) can also be combined with bottom-up topology generation to produce clock trees with less routing costs [Ed92, CoKo95, HuKT95, CoKK95].

5.2.1 Zero-Skew Embedding

The key idea of the DME algorithm is the delayed embedding of internal nodes of the abstract topology [Ed91, ChHH92a, BoKa92]. In general, given two zero-skew trees, there can be a number of locations at which two zero-skew trees can be joined with the minimum wirelength such that zero skew is achieved at the higher level. For example, in Figure 29(b), any point $l(x)$ on the line segment $ms(x)$ is equi-distant from sinks s_1 and s_2 , i.e., we obtain a zero-skew sub-tree rooted at $l(x)$ with sinks s_1 and s_2 . This contrasts with the KCR algorithm where there is only a single balance point when two sub-trees are connected by

a matching edge.

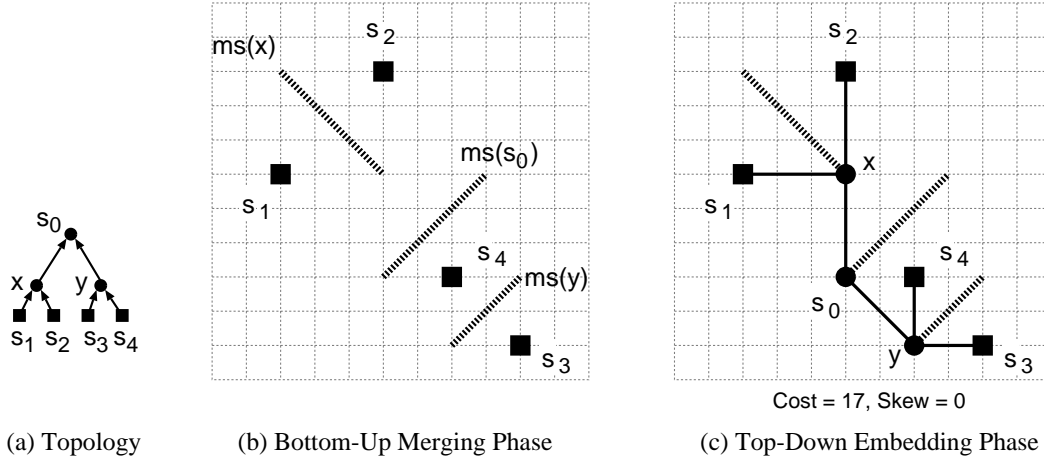


Figure 29: A walk-through of the DME algorithm: (a) Topology of a clock source s_0 and 4 sinks $s_{1..4}$, (b) Merging segments of internal nodes x , y and s_0 , and (c) Zero-Skew clock tree with a total wirelength of 17 units.

Given a set of sinks S and an abstract topology G , the DME algorithm exploits this flexibility and embeds internal nodes of G via a two-phase approach: (i) a bottom-up phase that constructs a tree of *merging segments* which represent loci of possible placements of internal nodes in a zero-skew tree (ZST) T ; and (ii) a top-down embedding phase that determines exact locations for the internal nodes in T . Note that the embedding can actually be done in a single-phase process. We will present the single-phase DME algorithm in Section 5.3.2.

In the bottom-up phase, each node $v \in G$ is associated with a merging segment, denoted $ms(v)$, which represents a set of possible placements of v in a minimum-cost ZST. The segment $ms(v)$ is always a *Manhattan arc*, i.e., a segment (with possibly zero length) that has slope $+1$ or -1 . Let a and b be the children of node v in G . The construction of $ms(v)$, placements of v , depends on $ms(a)$ and $ms(b)$, hence the bottom-up processing order. We seek placements of v which allow a and b to be merged with *minimum* added wire $|e_a| + |e_b|$ while preserving zero skew in T_v .

We first illustrate the computation of $|e_a|$ and $|e_b|$ under the pathlength delay model [Ed91, BoKa92]. Given $t(a)$ and $t(b)$, the delays from a and b to their respective sinks in T_a and T_b , it requires that $|e_a| + t(a) = |e_b| + t(b)$ to ensure that the delays from v to sinks in T_a and T_b are equal. Let l denote the distance between $ms(a)$ and $ms(b)$, i.e., $d(ms(a), ms(b)) = l$. If $|t(a) - t(b)| \leq l$, then there is no *detour*, i.e., $|e_a| + |e_b| = l$. Let $ms(v)$ be $x \cdot l$ units of distance from $ms(a)$ where x is between 0 and 1. Then,

$$x = \frac{1}{2} + \frac{t(b) - t(a)}{2 \cdot l}.$$

Suppose $|t(a) - t(b)| > l$. Without loss of generality, let $t(a) > t(b)$. Then, the merging cost is minimized by setting $|e_a| = 0$ and $|e_b| = t(a) - t(b)$. In this case, *detour* occurs, i.e., $|e_a| + |e_b| > l$.

Under the Elmore delay model, We can compute x as follows [Ts91]:

$$x = \frac{t(b) - t(a) + r \cdot l \cdot (Cap(b) + c \cdot l/2)}{r \cdot l \cdot (c \cdot l + Cap(a) + Cap(b))},$$

where $Cap(a)$ and $Cap(b)$ are the total capacitances of sub-trees T_a and T_b , respectively, and r and c are the unit length resistance and capacitance, respectively. If $0 \leq x \leq 1$, we have found $|e_a| = x \cdot l$ and $|e_b| = l - |e_a|$. Otherwise, detour occurs, i.e. $|e_a| + |e_b| > l$. Again, without loss of generality, let $t(a) > t(b)$. Then, $|e_a| = 0$, and $|e_b|$ is obtained by solving the following equation [Ts91]:

$$t(a) = t(b) + r \cdot |e_b| \cdot (Cap(b) + c \cdot |e_b|/2).$$

Note that the above computation assumes both edges e_a and e_b have unit wire width. A simple extension can be made to achieve zero-skew merging even when e_a and e_b have different widths [Ed93b].

Given $|e_a|$ and $ms(a)$, the DME method computes the largest tilted rectangular region (a rectangle rotated by 45°) such that all points in the tilted rectangular region, referred to as $trr(a)$, is of a distance of at most $|e_a|$ from $ms(a)$. Similarly, $trr(b)$ is computed. Then, $ms(v)$ is obtained by taking the intersection of $trr(a)$ and $trr(b)$ as shown in Figure 30. At the end of the bottom-up merging process, a tree of merging segments is computed. We call such a tree a *merging tree*. Also, the edglength $|e_v|$ is known for each node v in the merging tree.

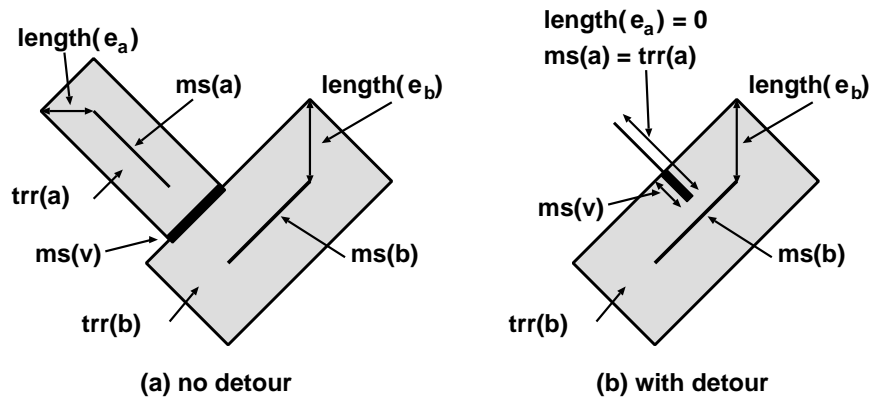


Figure 30: Intersection of $trr(a)$ and $trr(b)$ to obtain $ms(v)$.

Given the merging tree, the top-down phase embeds each internal node v of G as follows: (i) if v is the root node, then DME selects any point in $ms(v)$ to be $l(v)$; or (ii) if v is an internal node other than the root, DME chooses $l(v)$ to be any point on $ms(v)$ that is of distance $|e_v|$ or less from the embedding location of v 's parent.

Figure 29 gives an example of the DME algorithm under the pathlength delay model for a clock source s_0 and sinks s_1 - s_4 with a topology shown in Figure 29(a). Figure 29(b) gives the merging segments $ms(x)$, $ms(y)$, and $ms(s_0)$ of the internal nodes x , y , and s_0 , respectively. Each internal node is then embedded at a point on its merging segment that is closest to its parent as shown in Figure 29(c). For pathlength delay, DME returns the optimal solution, i.e., a tree with minimum cost and minimum source-sink pathlength for any input sink set S and topology G . DME is not optimal under the Elmore Delay model [BoKa92].

Using the topologies generated by the KCR algorithm, the DME algorithm averages more than 9% and 15% cost reductions over the clock routing trees constructed by the KCR and MMM algorithms only, respectively. The results are marginally better than those produced by combining BB with DME. As we shall see in Section 5.2.3, further cost reduction can be obtained when we interleave topology generation with embedding.

5.2.2 Bounded-Skew Embedding

While the DME algorithm considers only zero-skew, the BST/DME algorithms proposed by [CoKo95, HuKT95, CoKK95] consider bounded-skew clock routing. Similar to the DME algorithm for zero-skew tree, the BST/DME algorithms compute a bounded-skew routing tree (BST) for a prescribed topology in two phases: bottom-up and top-down. The enabling concept is that of a *merging region*, which generalizes the concept of merging segment in [BoKa92, ChHH92a, Ed91] for zero-skew clock trees. Figure 31 highlights the difference between the DME algorithm for zero-skew routing and the BST/DME algorithms for bounded-skew routing. In the BST/DME algorithms, the bottom-up process constructs a tree of merging regions (in contrast to merging segments for zero-skew tree) which contains possible locations of the internal nodes in the BST. The top-down process then determines the exact locations of all internal nodes.

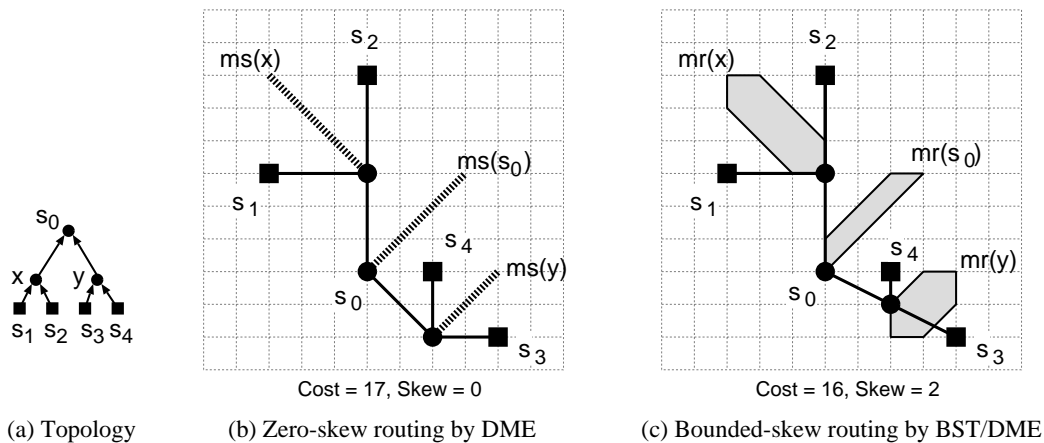


Figure 31: Comparison of DME zero-skew routing in (b) and BST/DME bounded-skew routing in (c) for the prescribed topology G in (a). BST/DME lowers the routing cost by allowing non-zero skew bound. Note that in (b) the merging segments are depicted by dashed lines, and in (c) the merging regions are depicted by shaded polygons.

Two approaches were proposed to construct the merging regions: (i) the *Boundary Merging and Embedding* (BME) method [CoKo95, HuKT95] and (ii) the *Interior Merging and Embedding* (IME) method [CoKK95]. We consider only the pathlength delay formulation as in [CoKo95, HuKT95]. Extension to the Elmore delay model can be found in [CoKK95].

Boundary Merging and Embedding (BME). The BME method utilizes only the *boundaries* of merging regions to construct new regions: Given merging regions $mr(a)$ and $mr(b)$ of v 's children, the merging region $mr(v)$ is constructed by merging the nearest boundary segments of $mr(a)$ and $mr(b)$. The nearest boundary segments are called *joining segments*. A point p in the joining segment of $mr(a)$, denoted $JS(a)$, can merge with a point q in the joining segment of $mr(b)$, denoted $JS(b)$, if $d(p, q) = d(mr(a), mr(b))$.

There are several interesting properties of a merging region under bounded-skew routing which allow it to be computed in constant time. Note that each point p in the merging region has two delay functions: max-delay and min-delay which gives the maximum and minimum delays from p to sinks in subtree T_p rooted at p , i.e., the maximum and minimum sink delays in T_p . A merging region under pathlength delay is convex and is bounded by at most 8 *well-behaved segments*, which are Manhattan

To merge two parallel rectilinear joining segments, for p either a skew turning point or an end point of the joining segments, merge p with the point directly opposite it on the other joining segment by the two step computation given above. A set of merging regions is therefore produced. Subsequently, a walk is performed to join the vertices of these merging regions to produce the new merging region as shown in Figure 34.

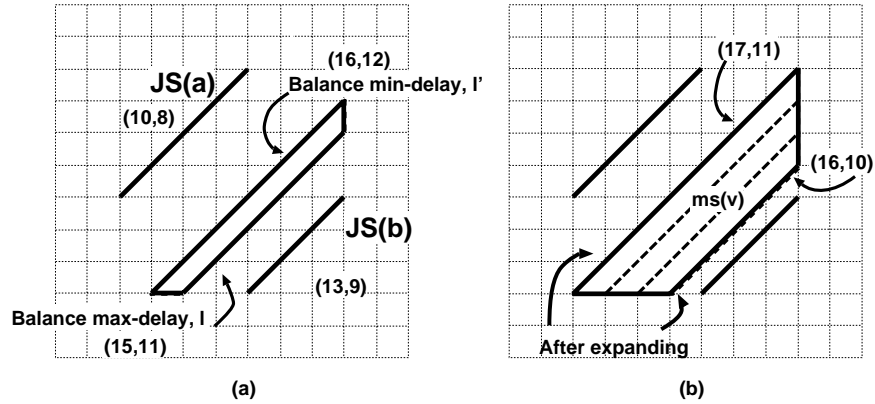


Figure 33: Merging of two Manhattan joining segments $JS(a)$ and $JS(b)$: (a) Balance the max- and min-delays (given in the pair of coordinates) of T_a and T_b , and (b) Expand the region bounded by l and l' towards $JS(a)$ and $JS(b)$ by 1 unit for a skew bound of 6.

Interior Merging and Embedding (IME). IME uses a set of sampling segments (possibly with points interior to the merging regions) from each child merging region, instead of only one joining segment from a merging region as in the BME method. Merging interior points has the advantage of better utilizing the skew budget throughout the bottom up merging process, which may result in a larger merging region at a parent node and possibly reduce the total merging cost (Figure 35).

Only well-behaved line segments are used to sample a merging region. Merging of two regions involves two sets of sampling segments and generates a set of merging regions for the parent node (Figure 35). For efficient and practical implementation, the IME method limits the number of regions associated with a node by a constant, say k . Each region is in turn sampled by exactly s sampling segments when the region is being merged with other regions of the sibling node. A key step in the IME method lies in choosing, via dynamic programming, a set of “best” merging regions (no more than k of them) among the set \mathcal{R} of (at most) $k^2 s^2$ regions generated for the parent node.

A merging region $R \in \mathcal{R}$ is associated with three values: (i) $Cap(R)$, the total capacitance rooted at region R which is a constant for all point in R , (ii) $min_skew(R)$, the minimum possible skew among all points in R , and (iii) $max_skew(R)$, the maximum skew possible within the merging region. A merging region R of v is said to be “redundant” if there exists another merging region R' of v such that $min_skew(R') < min_skew(R)$ and $Cap(R') < Cap(R)$ (See Figure 36(a)). Let $IMR(v) = \{R_1, R_2, \dots, R_m\}$ denote the set of irredundant merging regions of v with R_i 's arranged in descending order of $Cap(R_i)$, then $min_skew(R_i) < min_skew(R_{i+1})$ for all i with $1 \leq i < m$.

The set of irredundant merging regions forms a staircase with $m - 1$ steps as shown in Figure 36(b). The area of the staircase of a set of merging regions of node v , denoted $area(v)$, is defined to be the area under the staircase between the skews

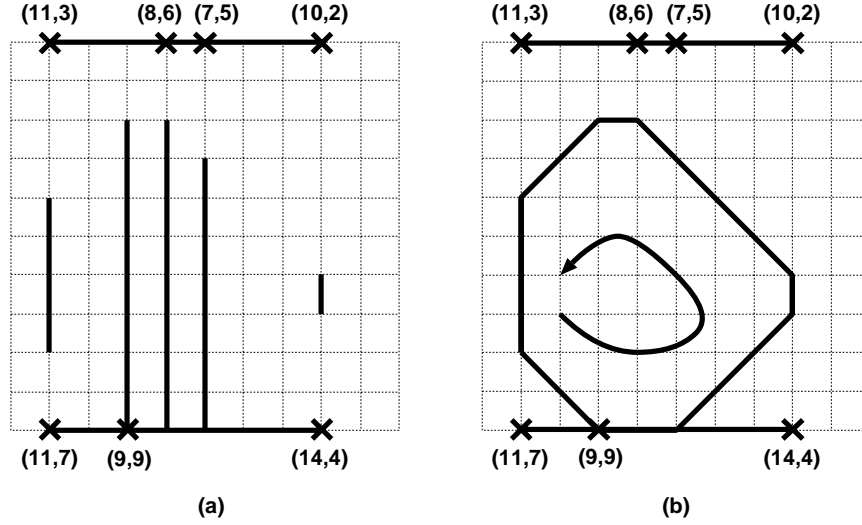


Figure 34: Merging of two rectilinear joining segments: (a) For each skew turning point and each segment endpoint, compute the merging regions of the point with the point opposite it on the other segment, and (b) Perform a walk to join the vertices of these merging regions.

$min_skew(R_1)$ and $min_skew(R_k)$:

$$area(v) = \sum_{i=1}^{m-1} \{min_skew(R_{i+1}) - min_skew(R_i)\} \times Cap(R_i)$$

In order to retain a good spectrum of no more than k merging regions from IMR , the IME method solves the following (m, k) -Sampling problem optimally using a dynamic programming approach: Given a set of m irredundant merging regions, IMR , find a subset of k ($2 \leq k \leq m$) merging regions such that after removing each of the $m - k$ intermediate merging regions, the remaining regions IMR' has minimal error, i.e., $area(IMR') - area(IMR)$ is minimal.

In summary, to compute the merging regions for a node, IME first computes $k^2 s^2$ merging regions due to merging of its children. Redundant merging regions are then removed and a dynamic programming algorithm is applied to select among the m irredundant merging regions, k “best” merging regions to be associated with the node.

The IME method requires a longer run-time than the BME method due to the (m, k) -Sampling algorithm. The run-time can be improved if we use other faster selection heuristics such as choosing k merging regions with the smallest total capacitances. However, the impact on the quality of the routing solutions is not clear. On the other hand, the advantage of the IME method is that it considers interior merging points and might generate larger merging regions and therefore reduce merging cost at the next level. Although the IME method is expected to produce routing solutions with smaller costs when compared to solutions constructed by the BME method, this is not always the case as shown in the experimental results of [CoKK95]. However, this could be due to the use of small sampling sets ($k = 5$ and $s = 7$) with only Manhattan arcs as sampling segments in the experiment. IME performs marginally better than BME for fixed topology. However, in the case of combining topology generation with embedding (Section 5.2.3), both methods have comparable results, with IME produces better results for larger circuits when the

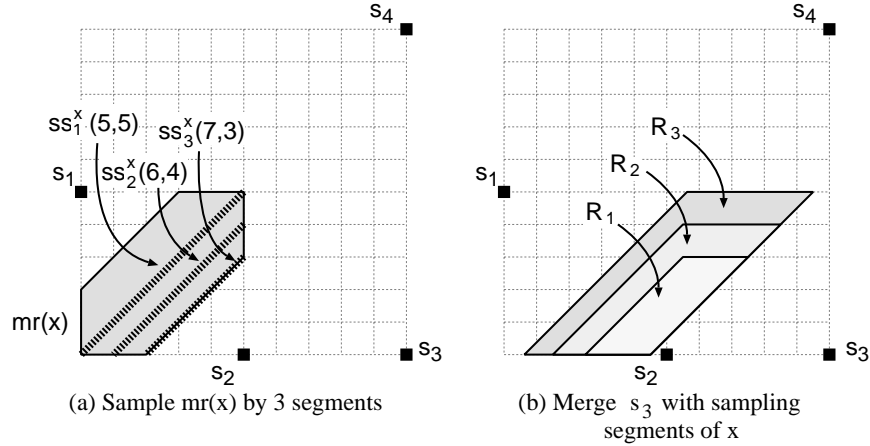


Figure 35: Interior merging for a skew bound of 2 units between $mr(x)$ and sink s_3 : (a) The merging region $mr(x)$ (due to merging of s_1 and s_2) is sampled by three Manhattan arcs $\{ss_1^x, ss_2^x, ss_3^x\}$. (b) Merging these sampling segments with sink s_3 produces three merging regions where R_i is produced by merging s_3 with ss_i^x . R_1 is also the merging region obtained by BME when $mr(x)$ merges with s_3 . Note that it is smaller than R_3 .

skew bound is large.

A very recent work by Oh, Pyo, and Pedram [OhPP96] can construct an optimal minimum-cost bounded delay routing for a given topology using linear programming under the pathlength delay model. The bounded delay routing tree satisfies the upper and lower bound delay constraints imposed by the designer. Clearly, the bounded delay routing tree is also a bounded-skew tree. However, for a skew bound B , there are many combinations of the upper and lower bound delays. It is difficult to choose a “good” combination of upper and lower bounds for a specific allowed skew bound. The authors also noted that the approach cannot be extended to handle Elmore delay easily [OhPP96].

5.2.3 Topology Generation with Embedding

Since DME requires an input topology, several works [BoKa92, ChHH92a, Ed92] have thus studied topology constructions that lead to low-cost routing solutions when DME is applied. These methods interleave topology construction with merging segment computation using DME. The works by [CoKo95, HuKT95, CoKK95] adopt a similar approach to construct BSTs by interleaving topology construction with merging region computation using BME or IME.

Greedy-DME. The most successful method in this class is the Greedy-DME method of Edahiro [Ed92], which determines the topology of the merging tree in a greedy bottom-up fashion. Let K denote a set of merging segments which initially consists of all the sink locations, i.e., $K = \{ms(s_i)\}$. Greedy-DME iteratively finds the nearest pair of neighbors in K , that is, $ms(a)$ and $ms(b)$ such that $d(ms(a), ms(b))$ is minimum. A new parent merging segment $ms(v)$ is computed for node v from a zero-skew merge of $ms(a)$ and $ms(b)$; K is updated by adding $ms(v)$ and deleting both $ms(a)$ and $ms(b)$. After $n - 1$ operations, K consists of the merging segment for the root of the topology.

In [Ed93a], $O(n \log n)$ time complexity was achieved by finding several nearest-neighbor pairs at once, i.e., the algorithm

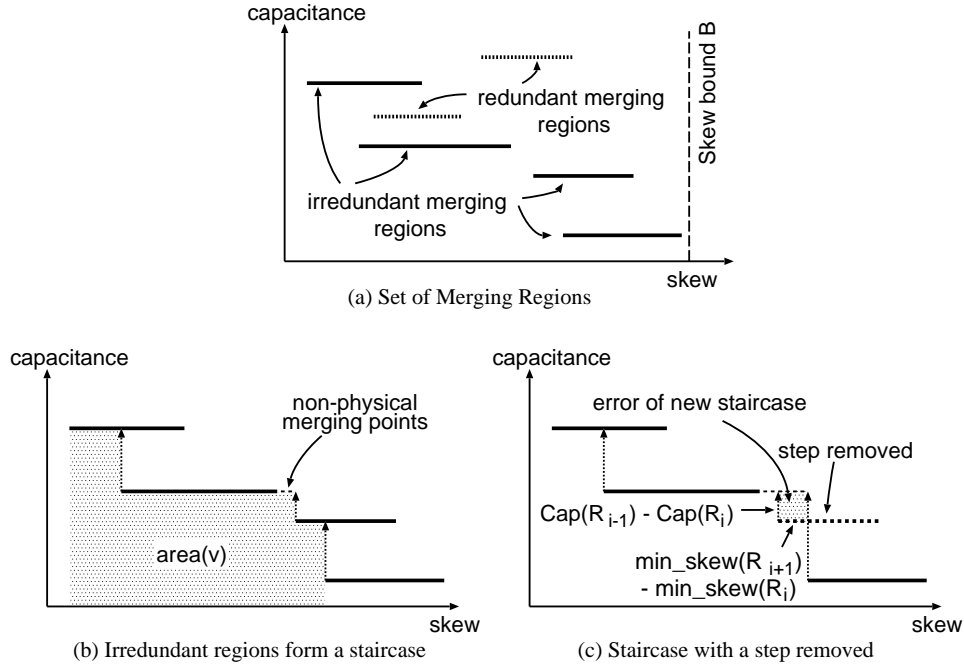


Figure 36: (a) Set of merging regions. (b) Set of irredundant merging regions form a staircase. (c) Removing an intermediate step results in a new staircase with an error depicted by the shaded region.

first constructs a “nearest-neighbor graph” which maintains the nearest neighbor of each merging segment in K . Via zero-skew merges, $|K|/k$ nearest-neighbor pairs are taken from the graph in non-decreasing order of distance, where k is a constant typically between 2 and 4. In some respects, this approach is similar to the KCR algorithm in which a matching is computed in each iteration [CoKR93]. The solution is further improved by a post-processing local search that adjusts the resulting topology (cf. “CL+I6” in [Ed93a]). Greedy-DME achieves 20% reduction in wiring cost compared with the results which were obtained by using BB followed by DME [ChHH92a].

Chou and Cheng [ChCh93] proposed a simulated annealing approach to construct a zero-skew tree. A “tree grafting perturbation” operation is used to swap two subtrees during the annealing process. The algorithm has been applied to both Manhattan and Euclidean geometries. For the Manhattan distance metric, the heuristic produces tree lengths which are about 2% worse than those generated by CL+I6 [Ed93a].

Greedy-BST/DME. Similar to the Greedy-DME algorithm, [HuKT95] proposed a *Greedy-BST/DME* algorithm to construct a bounded-skew tree. A key difference between the Greedy-BST/DME algorithm and the Greedy-DME algorithm is that the former algorithm allows merging at non-root nodes whereas Greedy-DME always merges two subtrees at their roots.

In DME, two merging subtrees are always merged at their roots so as to maintain zero skew. However, the shortest connection between two bounded-skew trees may not be between their roots. Indeed, subtrees may be merged at non-root nodes as long as the resulting skew is $\leq B$. This flexibility allows reduced merging cost and is the key merit of the Greedy-BST/DME approach. Consider the example in Figure 37(a), where the eight sinks are equally spaced on a horizontal line. When B is near zero, the minimum tree cost can be obtained by merging subtrees T_1 and T_2 at their roots as shown in the top example. However, this

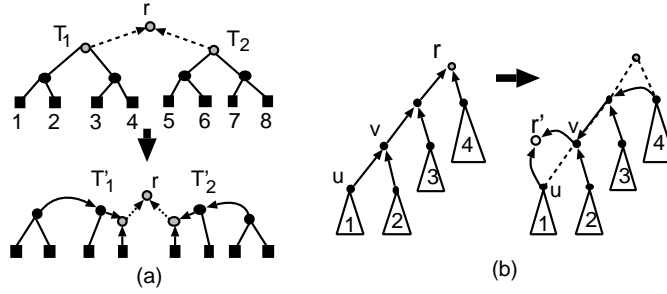


Figure 37: (a) An example showing that given skew bound $B \gg 0$, changing the subtree topology before merging will reduce the merging cost. (b) Repositioning the root in changing the topology.

topology is bad when B is large, even if the costs of the two subtrees can be minimum. When the skew bound is large, ideally one should adjust the subtree topology so that the roots of subtrees become closer while the subtree costs remain the same or increase slightly. This is shown in the bottom example in Figure 37(a). Effectively, T_1 and T_2 are merged at non-root nodes.

Figure 37(b) illustrates in more details how the tree topology is adjusted. First, the root is moved down to some tree edge, say $e_u = uv$, so that the root becomes the parent of nodes u and v . Then the tree topology is adjusted accordingly by adding, deleting, and redirecting some edges. The costs of the two subtrees may increase but the overall cost of the tree after merging may be better.

Merging with non-root nodes is a powerful topology generation method. The work by [CoKo95] is a simple extension of Greedy-DME, i.e., it considers merging of root nodes only. The wirelength reduction averages 19% when the allowed skew increases from 0 to ∞ . The Greedy-BST/DME algorithm by [HuKT95] can achieve an average of 42% wirelength reduction when varying the skew bound from 0 to ∞ . In fact, it very closely matches the performance of the best-known heuristics for both the zero-skew [Ed93a, Ed94] and infinite-skew limiting cases, i.e. Steiner routing (Section 3.1.2).

For realistic skew bounds in the range of $0ps$ to $150ps$, the Greedy-BST/DME algorithms in [CoKK95] averages 26.6% wirelength reduction when compared to the best reported zero-skew solutions by the CL+I6 algorithm in [Ed93a].

5.3 Planar Clock Routing

It is preferable to route clock nets on the metal layer with the smallest RC delay since this avoids the use of vias in the clock net and makes the layout more tolerant of process-variations. This motivates the following papers on planar clock routing. In these papers, they assume Euclidean planarity, i.e. all edges in the tree do not cross when an edge is represented by a straight line segment (instead of rectilinear line segments for the Manhattan geometry) on a Euclidean plane. Nevertheless, the cost of an edge is still in the Manhattan distance metric. It is not difficult to see that given a routing solution with Euclidean planarity, we can always embed a straight Euclidean segment by a rectilinear staircase to get a planar rectilinear routing solution.

5.3.1 Max-Min Planar Clock Routing

The planar clock routing problem was first studied by Zhu and Dai [ZhDa92]. They proposed the *Max-Min* algorithm which assumes a given source location. At the start of the algorithm, the source forms a single-node tree T . At each iteration, the algorithm grows T by selecting a sink s_i not attached to T and connecting s_i to T . The algorithm stops with a planar clock routing tree after all sinks are attached to T , i.e., after n iterations.

One of the two key components of the Max-Min algorithm is the order in which an unattached sink is connected to T , which is akin to topology construction. The other key step of the algorithm is to connect the selected sink to the tree such that zero pathlength skew is maintained. A branching point on T such that the selected sink can be connected to while satisfying the zero-skew constraint is called a balance point. A balance point is feasible if it does not violate the planarity constraint. There are many feasible balance points for an unattached sink. The feasible balance point with the minimum Manhattan distance to the sink is the minimal balance point and the Manhattan distance between the sink and the minimal balance point is the minimal balance distance.

The two key components of the Max-Min algorithm are governed by the Max-rule and the Min-rule, respectively. The two rules are given as follows: (i) Max-rule: at each iteration, always choose the unattached sink whose minimal balance distance is the maximum among all unattached sinks, and (ii) Min-rule: an unattached sink is always connected to the minimal balance point. The Max-rule ensures planarity of the routing tree and the Min-rule aims to reduce the routing cost. The two rules guarantee that the tree produced by the algorithm is planar and has zero pathlength skew and the pathlength delay is minimal.

5.3.2 Planar-DME Clock Routing

The key to the *Planar-DME* algorithm proposed by Kahng and Tsao [KaTs94a, KaTs94b] is that a single top-down pass can produce the same output as the two-phase DME algorithm at the expense of computation time under the pathlength delay model. This stems from the following facts [BoKa92]:

(i) Given a set of sinks S with diameter $diameter(S)$, if one constructs for each sink s_i in S a tilted rectangular region $TRR(s_i)$ centered at s_i such that all points in $TRR(s_i)$ is of a distance of $diameter(S)/2$ from s_i , then the intersection of all TRRs of sinks gives the merging segment of the root node for *any* topology of S .

(ii) For any internal node a of a topology, if a 's parent is v , then the edge e_a connecting v to a has length = $radius(S_v) - radius(S_a)$ where $radius(S) = diameter(S)/2$ for set S , and S_a (S_v) is the set of sinks under a (v).

Therefore, given a topology, it is possible to determine the merging segment $ms(v)$ (from (i)) and the edgelenh $|e_v|$ (from (ii)) of an internal node v without going through the bottom-up process. In other words, in a single top-down pass, one can compute $ms(v)$ and $|e_v|$ and then perform embedding for any node v in the topology.

The basic idea of Planar-DME is that the topology is determined based on the existing routing (such that future routing will not interfere with the existing routing) using the concept of (Euclidean) convex polygon. At each iteration, Planar-DME is given the location $l(p)$ of a parent node p , $S' \subset S$ and a convex polygon $P_{S'}$ containing S' and $l(p)$ such that the existing routing occurs outside or on the boundary of $P_{S'}$. We want to compute a planar tree of S' rooted at node v , with parent p . Note that $l(p)$ has already been determined earlier in the top-down process.

Based on fact (i), $ms(v)$ is computed and then v is embedded on $ms(v)$ according to the embedding rules given in Figure 38.

The embedding rules ensure that v is embedded within $P_{S'}$ and so the routing from p to v is within $P_{S'}$ and does not interfere with the existing routing. Based on the relative locations of p and v , a splitting line is then defined according to the partitioning rules given in Figure 38. The splitting line divides $P_{S'}$ into two convex polygons $P_{S'_1}$ and $P_{S'_2}$ and therefore, partitions S' into two non-empty subsets S'_1 and S'_2 . Note that the splitting allows the routing from p to v to be on the boundary between $P_{S'_1}$ and $P_{S'_2}$ and therefore, all existing routing is outside $P_{S'_1}$ and $P_{S'_2}$. The algorithm then recursively operates on S'_1 and S'_2 .

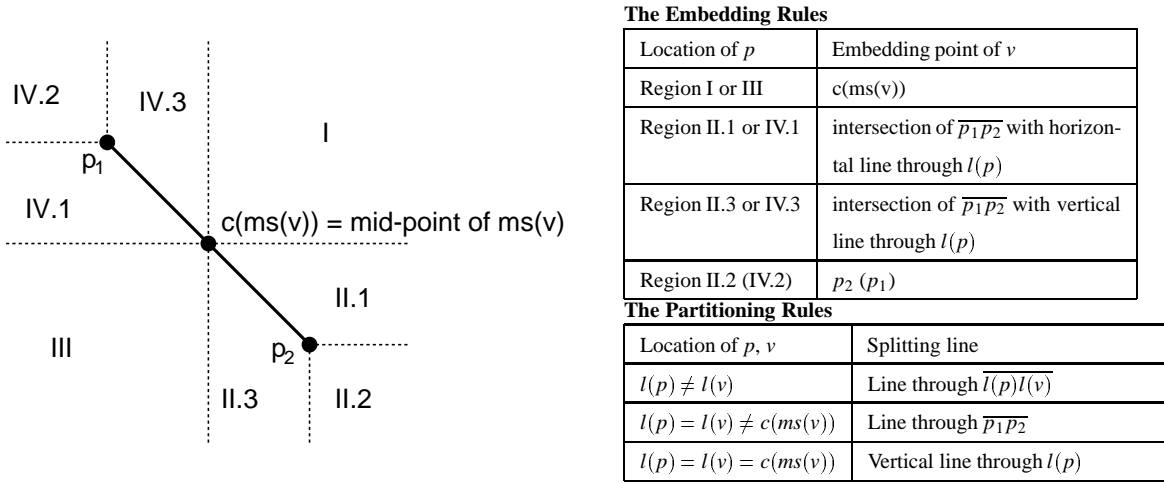


Figure 38: Rules to choose the embedding point of v on $ms(v) = \overline{p_1p_2}$ and the splitting line to partition a sink set.

Kahng and Tsao [KaTs94b] later extended the Planar-DME algorithm from the pathlength delay model in [KaTs94a] to the Elmore delay model. The Elmore-Planar-DME algorithm uses the topology generated by the Planar-DME algorithm under the pathlength delay model, and then reconstructs the ZST in a bottom-up fashion: Planar embedding is applied to all planar subtrees at the same level in the topology; given a pair of sibling planar subtrees, their parent node is embedded to ensure planarity by (i) finding the shortest planar path between its two children and (ii) embedding the parent node at some point along the planar path. The DME algorithm for Elmore delay model is then applied to ancestors of the parent nodes. In other words, a tree of merging segments is re-constructed to embed the ancestors of the parent nodes. Another iteration of planar embedding followed by DME is then applied at the next higher level. This continues until the entire ZST is planar. For a topology of height h , the Elmore-Planar-DME algorithm uses h iterations of planar embedding followed by DME.

The Max-Min and Planar-DME algorithms achieve planarity through higher routing costs. It is interesting to note that the Max-Min algorithm produces X-tree-like solutions, whereas the Planar-DME algorithms produce H-tree-like structures. As mentioned, X-trees tend to be more costly than H-trees. The Planar-DME algorithms incur only an average penalty of 9.9% additional routing cost to achieve planarity while the planar clock trees generated by the Max-Min algorithm have an average of 35% higher routing cost when compared to the best (non-planar) zero-skew solutions in [Ed93a].

5.4 Buffer and Wire Sizing for Clock Nets

In this section, we deal with buffer and wire sizing, which consider sizing of wires, and insertion and sizing of buffers in clock routing to minimize clock skew, clock delay, and the sensitivity of the clock tree to process variations, which may cause the

width of a wire/transistor on a chip to differ from the specified width and/or device parameters such as carrier mobilities and threshold voltages to vary from die to die. Process variations introduce *process skew* since resistances and capacitances of wires and active devices are changed.

Consider a RC tree. From Section 2.1, the Elmore delay from the clock driver at the source s_0 to sink s_i is $t_i = R_d \cdot Cap(s_0) + \sum_{e_v \in Path(s_0, s_i)} |e_v| \cdot r/w_{e_v} \cdot (\frac{|e_v| \cdot w_{e_v} \cdot c_a}{2} + Cap(v))$. For simplicity, we ignore the fringing effect but it can be added easily into our formulation. Taking the partial differential $\frac{\partial t_i}{\partial w_{e_v}}$ for any edge e_v along the s_0 - s_i path,

$$\frac{\partial t_i}{\partial w_{e_v}} = R_d \cdot c_a \cdot |e_v| - \frac{|e_v| \cdot r \cdot Cap(v)}{w_{e_v}^2} + \sum_{e_u \in Ans(e_v)} \frac{|e_u| \cdot r \cdot c_a \cdot |e_v|}{w_{e_u}} \quad (32)$$

If e_v is not along $Path(s_0, s_i)$,

$$\frac{\partial t_i}{\partial w_{e_v}} = R_d \cdot c_a \cdot |e_v| + \sum_{e_u \in Ans(e_v) \cap Path(s_0, s_i)} \frac{|e_u| \cdot r \cdot c_a \cdot |e_v|}{w_{e_u}} \quad (33)$$

The partial differential captures the *delay sensitivity* with respect to a wire. A positive value of sensitivity indicates a case where widening the wire increases the delay while a negative value of sensitivity indicates that the delay decreases. If we compute the optimal wire width to minimize sink delay (for example, by setting $\frac{\partial t_i}{\partial w_{e_v}} = 0$ for Eqn. (32)), we see that wires closer to the root should have wider wire width, since they drive larger capacitance ($Cap(v)$). Note that the term $R_d \cdot c_a \cdot |e_v|$ in the equation prevents the wire e_v from getting too wide. In practice, we can always impose an upper bound constraint on the maximum wire width.

Also observe that the larger the downstream capacitance ($Cap(v)$), the larger the delay sensitivity (Eqn. (32)). Buffer insertion can de-sensitize the clock nets by reducing downstream capacitance of wires closer to the root. In other words, sink delay can be minimized by appropriate wiresizing and buffer insertion. Similarly, we can also define the delay sensitivity due to buffer by writing the sink delay in terms of the buffer sizes and taking the partial differential of the delay with respect to the buffer sizes. It is obvious that appropriate buffer/driver sizing can also reduce delay sensitivity.

We are also interested in *skew sensitivity*, which measures how a change in wire/transistor width can affect the clock skew. In particular, skew sensitivity due to process variations can be used to measure how reliable a clock tree is. However, due to the definition of clock skew as $\max_{i,j} |t_i - t_j|$, it is very difficult and costly to compute skew sensitivity exactly; the exact approach would have to compute the worst case clock skew due to process variations. The following approach may be used to estimate skew sensitivity [XiDa95]. To compute the estimated worst case clock skew, the algorithm computes for each sink s_i , the best possible and worst possible delay due to process variations. For simplicity, the algorithm computes the worst (best) delay for sink s_i by decreasing (increasing) the wire widths for edges on $Path(s_0, s_i)$ by Δw_{max} and increasing (decreasing) the wire widths of all edges off the path by Δw_{max} , where Δw_{max} is the maximum width variations. The *worst case skew* under process variations is obtained by taking the difference between the worst case delay of one sink and the best case delay of another sink. The difference between the skew of the clock tree (without process variations) and the worst case skew under process variations gives a reasonable estimate of the skew sensitivity. Note that we can use a similar approach to estimate the skew sensitivity due to deviations of transistor widths and device parameters caused by process variations.

In this section, we discuss various wire sizing, buffer insertion and buffer sizing techniques which make use of delay sensitivity and skew sensitivity to guide the optimization. These methods not only reduce the delay and skew sensitivities, but also have significant effect on reductions of wirelength, rise/fall times, and power dissipation.

5.4.1 Wiresizing in Clock Routing

In the following, we discuss three results on wiresizing. The first algorithm achieves minimal skew by making slower paths faster by wiresizing [ZhDX93] (instead of making the faster paths slower by snaking in the DME approach). The second approach considers wiresizing to minimize clock delay and uses the DME approach to ensure zero skew [Ed93b]. The third heuristic considers not only the nominal skew due to sink delays but also the process skew. At the same time, it tries to meet a specified target delay [PuMP93].

Both [ZhDX93, PuMP93] assume discrete wire sizes, whereas [Ed93b] assumes continuous wire width although it can also be modified to consider discrete wire widths. Since it is not possible to achieve arbitrary precision during fabrication, it is better to have a layout with discrete wire widths and transistor sizes in order to eliminate skew due to mapping of continuous widths/sizes to discrete widths/sizes. [ZhDX93] can handle constraint on the maximum wire width whereas [Ed93b, PuMP93] can be extended easily to consider maximum wire width constraint. Note that the constraint on the maximum wire width is imposed by the available routing resource. On the other hand, the constraint on the minimum wire width is due to the fabrication technology. Moreover, the maximum allowable current density through the wire also provides a lower bound for the wire width, so that the wire can withstand the wear-out phenomenon called electromigration. Note that different segments of wires may have different upper and lower bounds.

The *Optimal Sizing Method* (OSM) proposed by Zhu, Dai, and Xi [ZhDX93] considers distributed RC and lossy transmission line models using a generalized delay macromodel which is based on scattering-parameters of interconnect [LiDW93]. Also, it can handle general clock network which may include loops. The skew minimization problem is formulated as a least-squares estimation problem: the error of a sink s_i is defined to be $g_i = t_i - t_f$ where t_f is the least delay among all source-to-sink delays. The least-squares estimation problem aims to assign widths to the m wires in the general network such that the sum of squares of error $\phi(w_1, w_2, \dots, w_m) = \sum_{i=1}^n g_i^2$ is minimized.

The OSM uses the Gauss-Marquardt's method [Ma63] to solve the optimization problem. The Gauss-Marquardt's method takes an initial wire width assignment, W_i and compute a new wire width assignment W_{i+1} based on a $n \times m$ delay sensitivity matrix for a clock tree/mesh of n sinks and m edges. The (i, j) -th entry of the sensitivity matrix measures the delay sensitivity of sink s_i with respect to edge e_j , i.e., $\frac{\partial t_i}{\partial w_{e_j}}$. In the next iteration, W_{i+1} is used to update the error ϕ and delay sensitivity matrix for the computation of W_{i+2} . The procedure continues until the skew is reduced to a required value. The key to fast convergence is a good starting point W_0 . The following rules are applied to guide the initial wire width assignment: (i) the edges in the tree are sized in the breadth first search order, (ii) at each level, the ancestor edges of the slowest terminal is sized first, and (iii) each edge is assigned with the feasible width that results in the smallest skew. The three rules can be generalized to handle buffered clock tree.

A clock mesh and two clock trees were used to evaluate the OSM algorithm under both RC model and lossy transmission line model. [ZhDX93] reported smaller skews for optimized circuits when compared to the original circuits. The authors noted that the skew reduction should be more significant for clock trees than for clock meshes since stronger interaction among clock sinks in clock meshes results in less skew sensitivity with respect to wire widths. The skew reduction is achieved at the expense of an average of 200% additional wiring area. The clock delay may get worse in some cases.

Edahiro [Ed93b] proposed a wiresizing algorithm which performs wiresizing based on delay sensitivity due to wire to minimize clock delay. The algorithm constructs a clock tree in two phases. In the first phase, the algorithm applies Greedy-DME

[Ed92] to construct a pathlength balanced clock topology with edglength information. Using the topology computed in the first phase, the second phase of the algorithm applies a modified version of DME under Elmore delay to construct a wiresized clock routing tree.

The modified DME algorithm works as follows. Consider merging of two zero-skew subtrees T_a and T_b . The optimal width of the two edges e_a and e_b merging T_a and T_b is first computed using an approach similar to setting Eqn. (32) to zero and then solving it. Note that the optimal width assignment should actually depend on both upstream resistance and downstream capacitance as in Eqn. (32). Since the wire widths at the upstream are unknowns in the bottom process, they are approximated. For example, nominal wire widths may be used for the upstream edges. Then, with consideration of w_{e_a} and w_{e_b} , the minimum merging cost $|e_a| + |e_b|$ is computed using a similar approach by [Ts91] (see Section 5.2.1). At the end of the bottom-up merging, the top-down embedding of the original DME approach is applied to obtain a wiresized clock tree.

The wiresized clock trees constructed by [Ed93b] satisfy the zero skew constraint while achieving 10%-50% shorter total delay time than the un-sized clock trees in [Ed93a]. However, no result on the increase in wiring area is reported. Although the algorithm does not place an upper-bound constraint on the wire width, the computed wire widths are not expected to get too large since the algorithm consider the clock driver strength. Since the computed edglengths differ from the original pathlength balanced tree and the wire widths may be far from optimal due to the approximation, it is recommended that the second phase (i.e., the modified DME algorithm) be repeated for a few iterations. However, it is not clear if the process will converge (i.e., edglengths and wire widths do not change in two successive applications of the modified DME algorithm). Note that since wire widths are selected based on delay sensitivity, delay sensitivity of the clock tree due to process variations is minimized indirectly.

In [PuMP93], Pullela, Menezes, and Pillage optimized the wire widths in three steps to achieve a reliable non-zero skew clock tree under the Elmore delay model:

(i) The first step selects the suitable wires to widen in order to bring the average delay of the tree to a specified target delay, denoted t_{tgt} . Each edge e_v is assigned a cost $D_v = \sum_{i=1}^n \frac{\partial t_i}{\partial w_{e_v}} (t_i - t_{tgt})$. Note that if $t_i > t_{tgt}$ and $\frac{\partial t_i}{\partial w_{e_v}} < 0$, D_v decreases. At each iteration, the wire with the least cost is widened by a constant amount Δw , which is the minimum grid size based on the fabrication technology. The process continues until the target delay t_{tgt} is achieved.

(ii) The second step tries to minimize the *process skew* by de-sensitizing all sink delays. The algorithm uses a *single-defect model* where the width of a single wire e_v changes due to a single process variation. If Δw_{max} is the maximum change in width due to process variations, the maximum change in delay is $\Delta w_{max} \cdot \frac{\partial t_i}{\partial w_{e_v}}$. To ensure the change in skew is within the maximum allowable change in skew ΔB , the width w_{e_v} is widened such that $\Delta w_{max} \cdot \frac{\partial t_i}{\partial w_{e_v}} < \Delta B/l$ where l is the depth of the tree. Therefore, if all edges along a source-to-sink path change their widths, the total change in delay is still less than ΔB .

(iii) The final step aims to reduce the *nominal skew*, or simply, the skew. Let Δt_{i_v} denote the change in the delay of sink s_i when the width of wire w_{e_v} is changed by Δw . Δt_{i_v} is estimated by $\Delta w \frac{\partial t_i}{\partial w_{e_v}}$. Zero skew is achieved when $\Delta t_{i_v} = t_{ave} - t_i$ for all sinks s_i in the tree, where t_{ave} is the average delay. Each edge w_{e_v} is assigned a cost $D_v = \sum_{i=1}^n (|t_i + \Delta t_{i_v} - t_{ave}|)$. If there is a wire with zero cost, zero skew is achieved. Otherwise, a wire with the least cost is chosen to be widened by Δw since the goal is to find a wire with zero cost quickly.

However, step i may undo what step $i - 1$ has accomplished. To prevent step (iii) from undoing the de-sensitization process in step (ii), [PuMP93] suggested tracing back from the widened edge in step (iii) to the root, and widening wires on the way up to ensure $\Delta w_{max} \cdot \frac{\partial t_i}{\partial w_{e_v}} < \Delta B/l$ holds. However, it is not clear how we can prevent steps (ii) and (iii) from messing up the work

done in step (i).

Applying the algorithm to clock trees routed by the MMM method [JaSK90], [PuMP93] reported an average of 7.5X reduction in the skews, reducing the original skews from the order of $1ns$ to skews in the order of $0.1ns$. Simulation results also verify that the optimized clock trees have worst case skews (under process variations) which are in the range of 37% to 74% smaller than the original skews. It would be an interesting study to find out the worst case skew of zero-skew routing trees such as those reported in [Ed93a] and evaluate how the algorithm proposed by [PuMP93] can impact the skew and reliability (in terms of worst case skew). While the intention is to improve skew and reliability of clock tree, [PuMP93] also reported improvement in terms of an average of 1.8X clock delay reduction after applying the algorithm. Again, the paper did not report the amount of additional wiring area incurred.

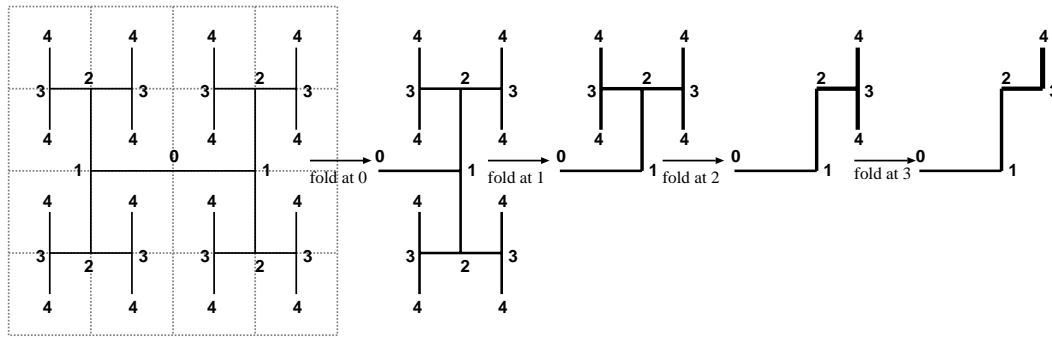
A very recent work by Desai, Cvijetic, and Jensen [DeCJ96] considered wiresizing of clock distribution networks (not necessarily a tree) using a network flow-based approach. The algorithm may even remove an edge from the networks as long as the performance and connectivity is not adversely affected. Experimental results on high performance microprocessors such as Digital's 275Mz Alpha 21164A and 300MHz Alpha 21164 showed up to 16% and 9.6% reductions in interconnect capacitance from the original distribution networks, respectively [DeCJ96].

5.4.2 Buffer Insertion in Clock Routing

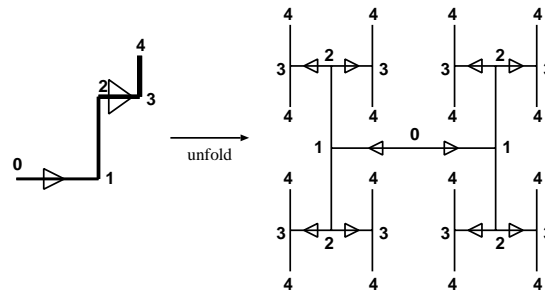
It is a common practice to use cascaded tapered drivers with exponentially increasing sizes at the root of a clock tree. In some cases, it is possible to satisfy all design constraints by using drivers at the root only. However, as clock trees get larger, it can become prohibitively expensive to use huge drivers due to chip size and power constraints. Buffers can be inserted in a clock tree to decouple capacitances of the interconnects and reduce clock delay and total power dissipation of the clock net. Moreover, since it is desirable to keep the clock waveform clean and sharp, it is easier to satisfy the rise/fall time constraints using a buffered clock tree than by a clock tree driven at the root only. In addition, it is possible to reduce total wirelength by buffer insertion. For example, instead of introducing detour wirelength to balance delays, a buffer can be inserted. As the feature size becomes smaller, this approach has become more attractive and less expensive in terms of chip area.

The earlier works by [DhFW84, WuSh92] considered insertion of uniform-size buffers in a H-tree structure. The more recent works by [ViMa95, ChWo96] perform buffer insertion simultaneously with clock routing. The work on buffer insertion and sizing will be presented in Section 5.4.3. The work on buffer insertion and wiresizing will be presented in Section 5.4.4.

The algorithm proposed by Dhar, Franklin, and Wann [DhFW84] inserts buffers into a full H-tree distributing clock signal to a symmetric N -by- N modules in three steps: (i) Folding the H-tree into a single line, (ii) inserting the buffers into the single line, and (iii) unfolding the buffered single line. Due to the symmetrical structure of a H-tree, a H-tree with a height of m can be folded into a single line with m sections, where starting from the source, the unit resistance of the next section decreases by a factor of 2 and the unit capacitance increases by a factor of 2. The process is shown in Figure 39(a). The next step is to insert buffers into the *non-uniform* single line (folded H-tree). To determine the optimal number of buffers, say b , to be inserted, the algorithm performs a linear search for b . For each b , a continuous function t is used to approximate the line delay. To determine the optimal buffer locations, a set of equations is obtained by setting the partial derivative of the delay with respect to the position of each buffer to zero. The resulting set of equations can be solved to obtain the optimal locations of the buffers in the single line. The buffered single line is then unfolded to generate the buffered H-tree (Figure 39(b)).



(a) Folding the H-tree into a single line



(b) Placement of buffers in folded and unfolded clock tree

Figure 39: Insertion of buffers to a H-tree by (a) folding the H-tree into a single line, (b) inserting buffers to the folded single line and unfolding the clock tree.

Wu and Sherwani [WuSh92] used a different scheme to insert buffers to a H-tree. In a bottom-up order, the number of buffers needed for a wire segment from a branching point to the parent branching point is computed. Either minimum-size buffers or blocks of cascaded buffers are inserted to spread out the load. While [DhFW84] does not require buffers to be located at Steiner point, [WuSh92] always inserts a buffer at the parent branching point when buffers are inserted. Moreover, [DhFW84] assumed that the H-tree uses only one metal layer for routing, whereas [WuSh92] assumed a metal routing layer and *crossunders*, which are short polysilicon or diffusion segments used to route the H-tree under the power or ground wires. [WuSh92] reported a 60-90% reduction in clock delay and [DhFW84] reported an order of magnitude reduction in the delay. Since [DhFW84] inserts buffers at the same hierarchy of the clock tree, the skew of the clock tree should remain intact. However, since buffers are inserted at wire segments independently in [WuSh92], clock skew might be adversely affected.

A more recent work by Téllez and Sarrafzadeh [TéSa94] also used a bottom-up approach similar to that of [WuSh92], i.e. computation of the number of buffers to be inserted in a wire segment followed by buffer insertion at appropriate locations. [TéSa94] considers rise/fall time constraints to compute the number of buffers required. Again, since buffers are inserted independently as in [WuSh92], clock skew might be affected.

The *GReedy INternal buffer insertion* (GRIN) algorithm proposed by Vittal and Marek-Sadowska [ViMa95] is an extension of the DME algorithm to consider the possible locations of buffers. In each merging step, besides computing the merging segment as in the case of the DME algorithm, the buffer insertion algorithm considers the possibility of inserting a buffer to drive

one of the child subtrees. For example, consider two subtrees T_a and T_b rooted at a and b , respectively. Let v be the parent of a and b . Then, $ms(v)$ shown in Figure 40(c) can be computed as in the DME algorithm and it corresponds to the feasible locations of v when no buffer is inserted.

A buffer to drive T_a alone may be inserted at the start of the edge from v to a as shown in Figure 40(a). The Manhattan arc V_a corresponds to the feasible locations of v for such a configuration. Note that V_a is nearer to $ms(a)$ than $ms(v)$ since the delay to sinks under a is now longer. Alternatively, the buffer may be inserted at $ms(a)$ as shown in Figure 40(b) and the Manhattan arc V'_a corresponds to the feasible locations of v for this alternative arrangement. Clearly, V_a and V'_a captures the two extreme possible locations of the buffer. The shaded region bounded by V_a and V'_a corresponds to other possible locations of the buffer (between the start of edge e_a and end of edge e_a) with the minimum merging cost. Note that V_a may be farther from $ms(a)$ depending on the total capacitance rooted at a and the buffer parasitics (resistance and input capacitance). Similarly, a buffer may be inserted to drive T_b alone. The shaded region between $ms(b)$ and $ms(v)$ shows the feasible locations of v when a buffer is inserted to drive T_b .

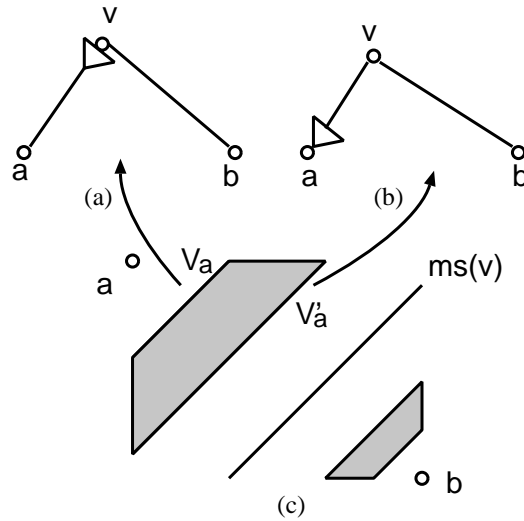


Figure 40: Insertion of a buffer at different locations along the edge e_a to drive T_a alone.

The GRIN algorithm follows the flow of the Greedy-DME algorithm of [Ed93a] with the following modifications. Instead of using just wirelength to define merging cost, the cost of merging is defined to reflect both total wirelength and total buffer size. Also, instead of storing only a merging segment in the DME approach, a merging segment and two polygons are stored to reflect the possibilities of buffer insertion. At the next level of merging, the merging segment or polygon that yields locally minimum zero skew merging cost will be used for merging with that of sibling node. On top of considering buffer insertion during merging, buffer may be inserted to drive the merged subtree if the rise/fall time constraint is very stringent.

Compared to clock trees driven by cascaded drivers at the root only, the buffered clock trees constructed by the GRIN algorithm have significantly better rise/fall times. The buffer/driver area required by the GRIN algorithm is more than 6X smaller and the algorithm averages 2X reduction in power dissipation. Compared to the zero-skew solutions reported in [Ed93a], the clock delay reduction is also very significant. The results also showed shorter clock delays when compared to the wired sized

zero-skew solutions in [Ed93b].

A shortcoming of inserting buffers to balance clock signal delay is that buffers, being active devices, potentially heighten the sensitivity of signal delay (and hence skew) to process variations. In most works on buffered clock tree, (for example, those to be discussed below), buffers are inserted at the same levels of the clock tree. Therefore, all source-to-sink paths have equal number of buffers inserted along the path. Moreover, buffers at the same level have the same size. These restrictions may affect the optimality in terms of signal delay and total wirelength. However, they help to reduce skew sensitivity to process variations.

Chen and Wong [ChWo96] also considered buffer insertion and topology generation simultaneously. Instead of considering buffer insertion at each merging step as in the GRIN algorithm, [ChWo96] considers inserting buffers at the roots of all subtrees. Starting with a set S of subtrees, the algorithm performs several iterations of DME-based zero-skew merging [Ed91, ChHH92a, BoKa92] until the size of S is reduced by 2^k for some k (which is dependent on the strength of buffer). Note that this is akin to clustering of nodes, followed by buffer insertion to drive each cluster. An inserted buffer may not be connected to the root directly. Instead, a wire may be used to connect from the buffer output to the root of the subtree such that all subtrees in S have equal sink delay. Note that this approach is less sensitive to process variations since all source-to-sink paths have the same number of buffers. Experimental results also showed that both signal delay and total wirelength are reduced when buffer insertion is considered [ChWo96].

Related works in the area of buffered clock tree synthesis also include [ChSa93, RaSh89]. Assuming that all internal nodes of a clock routing tree will be inserted with buffers, Cho and Sarrafzadeh [ChSa93] considered distributing the buffers over the routing plane at the expense of minimum increase in routing cost to reduce local buffer congestion. The chip is first decomposed into several square subregions, say r of them. Subregion R_i is represented by the center of mass S_i of the sink set P_i in R_i . A *cluster spanning graph* (CSG) is constructed such that the nodes in the CSG are sinks $s_{1\dots n}$ and centers $S_{1\dots r}$. Unless they are sinks, two nodes u, v are connected if $d(u, v)$ is within a user-specified vicinity parameter.

The authors want to construct a *degree-distributed spanning tree* (DDST) such that: (i) Each sink is connected to a unique center. Let the degree of a center be the number of sinks connected to it. Then, (ii) the DDST should have the smallest standard deviation in terms of the degrees of centers. Moreover, they want a minimum-length DDST, i.e., a DDST whose tree length is the smallest among all DDST of CSG. An approximation algorithm is used to solve this NP-complete problem. Note that the minimum-length DDST partitions the sinks into clusters, with each cluster of sinks rooted by a center. Finally, the KCR algorithm is applied to generate the buffered clock tree, with the consideration that sinks in the same cluster are matched. [ChSa93] reported that buffer congestion is reduced by 20% at the cost of 10% increase in wirelength. However, with a buffer inserted at every internal node of the clock tree, this is a very expensive (in terms of power and delay) buffer distribution scheme.

Ramanathan and Shin [RaSh89] considered clock routing in an augmented channel intersection graph (ACIG). Given an abstract (buffered) topology, the algorithm first finds the best location along the peripheral of the ACIG for the clock source in order to minimize the clock delay. Next, with consideration of pathlength delay balancing, optimal routing at each level of the buffered tree is carried out using a branch-and-bound approach. Note that this approach is only applicable to small problem instances since it is computationally very expensive.

5.4.3 Buffer Insertion and Sizing in Clock Routing

While GRIN [ViMa95] considers construction of clock topology with buffer insertion, the balanced *Buffer Insertion and Sizing* (BIS) algorithm proposed by Xi and Dai [XiDa95] assumes a given unbuffered clock tree and insert buffers of multiple sizes to meet wire skew constraint due to asymmetric loads and wire width variations. Since the inserted buffers may have delay variations due to variations of process parameters such as carrier mobilities and threshold voltages which may vary in a wide range from die to die due to difference in process conditions, the second step of the BIS algorithm is to size the PMOS and NMOS devices in the buffers separately to minimize power dissipation subject to tolerable skew constraint due to buffers. Note that the BIS algorithm uses minimum width wire throughout the entire design in order to minimize wire capacitance and power dissipation.

The BIS algorithm takes as input a pathlength balanced clock tree (possibly obtained by DME algorithm under pathlength formulation) and partitions the clock tree into subtrees such that every subtree is a pathlength balanced subtree and all source to sink paths go through equal number of levels of buffers. If L is the pathlength of the original clock tree and there are b number of buffer levels, then the pathlength between two adjacent levels of buffers is $L/(b+1)$. To determine the optimal b^* , the BIS algorithm considers minimization of the worst case skew due to process variations in wire widths. The algorithm performs a linear search for b^* from $1, 2, \dots$ until the worst case skew is less than a user-specified skew bound.

In the buffer sizing step, BIS considers CMOS inverters, each implemented by a PMOS and an NMOS device with size d_i^p and d_i^n , respectively. A PMOS device may have a nominal rise time t_r , a fast rise time $t_r^f = t_r/f_p$, or a slow rise time $t_r^s = t_r \cdot f_p$, with $f_p \geq 1$. Similarly, we can define the nominal, fast and slow fall times of a NMOS device. Considering the pull-up devices and pull-down devices along a path separately, let t_i^p (t_i^n) denote the total pull-up (pull-down) path delay due to PMOS (NMOS) devices of even (odd) inverters along the s_0-s_i path, then the delay to sink s_i due to buffers is $t_i = t_i^p + t_i^n$. Both power dissipation (see [WeEs93]) and phase delay (under a model similar to the simple switch-level RC model) due to buffers are convex functions of d_i^p and d_i^n .

The key to the BIS algorithm is to transform the skew constraint to a convex function as follows: If the devices are sized such that

$$t_i^k - t_j^k \leq \epsilon^k = \frac{B_b}{2f_k}, \quad (34)$$

for any two sinks s_i and s_j , and $k = P, N$, then the skew constraint B_b for buffers can always be satisfied. The skew constraint can be rewritten as a convex function as $\max(t_i^k) \leq \epsilon^k + t_{min}^k$ where t_{min}^k is the smallest pull-up path or pull-down path delays for $k = P, N$ among all source-to-sink paths. Given a device sizing solution, one can identify the fastest pull-up and pull-down path and calculate t_{min}^p and t_{min}^n easily. BIS then uses t_{min}^p and t_{min}^n in Eqn. (36) of the following posynomial program and applies the posynomial programming technique to solve the problem:

$$\begin{aligned} \text{Minimize:} \quad & \text{Total Power Dissipation} \\ \text{subject to:} \quad & \max(t_i) \leq t_{tgt} \end{aligned} \quad (35)$$

$$\max(t_i^k) \leq \epsilon^k + t_{min}^k \text{ for } k = P, N \quad (36)$$

If the computed device sizing solution satisfies the target delay t_{tgt} constraint Eqn. (35) and the skew constraints Eqn. (36), then

BIS terminates. Otherwise, t_{min}^p and t_{min}^n of the current device sizing solution are calculated and another iteration of posynomial programming is invoked. However, note that sizing of buffer will render the buffer insertion step inaccurate since the buffer insertion step assumes implicitly buffers of certain sizes to compute the worst case skew.

Experimental results show that BIS can achieve up to 326% reduction in power dissipation when compared to the wiresized clock trees constructed by [ZhDX93]. However, there is no improvement in terms of clock skew and clock delay. Although the clock skews are reasonably small, the clock delay can be as high as 10ns [XiDa95], even for a relatively small clock net such as benchmark circuit Primary2. An explanation for the high clock delay is the use of minimum wire width for the clock tree. Moreover, the buffer sizing step does not consider delay sensitivity due to buffer size, whereas minimization of delay sensitivity is an important element of most of other works on wire/buffer sizing. As we will see in the following discussion, when delay sensitivity is considered, buffer insertion/sizing with wiresizing can reduce power and clock delay without an adverse impact on clock skew and reliability.

5.4.4 Buffer Insertion and Wire Sizing in Clock Routing

The *Skew Sensitivity Minimization* (SSM) algorithm proposed by Chung and Cheng [ChCh94] considers buffer insertion and wire sizing to minimize skew sensitivity due to process variations. Since SSM considers a library of buffers of different sizes, it is capable of discrete buffer sizing.

Similar to the BIS algorithm, the algorithm assumes a full binary clock tree (all sinks at level max_level), and that buffers are inserted at the same levels of the clock tree. Buffers at the same level have the same size, but buffers at different levels may have difference sizes. The SSM algorithm finds the optimal levels of buffers with proper sizes and wire widths that minimizes skew sensitivity through a bottom-up dynamic programming approach. Clearly, the maximum number of buffer levels is max_level as well. Let $B[b, l, s]$ denote the minimum skew sensitivity for b buffer levels, with the highest level buffers located at level l with size s . Assume that $B[b', l', s']$ is known for $b' < b, l < l' \leq max_level$ and all possible buffer sizes s' in the library, then one can compute

$$B[b, l, s] = \min_{l < l' \leq max_level} \{MSS(l, s, l', s') + B[b - 1, l', s']\}$$

where $MSS(l, s, l', s')$ is the minimum skew sensitivity from level l to level l' with buffer size s at level l and buffer size s' at level l' . Therefore, assuming that the root node is at level 0, the algorithm constructs a 3-dimensional table for $0 \leq b \leq max_level$, $0 \leq l \leq max_level$ and all possible buffer sizes s in a bottom-up fashion.

To compute $MSS(l, s, l', s')$ for $l' > l$, the algorithm first wiresizes all paths from level l to level l' to minimize delay sensitivity by setting the partial differential of the l -to- l' path delay with respect to wire width to zero and solving it. The algorithm then selects two paths from level l to level l' . Similar to the approach in the BIS algorithm, wire widths and buffer sizes along two paths are then changed according to the worst case process variations and the skew sensitivity from level l to level l' is computed using the worst case skew under wire and device process variations.

As noted in the GRIN algorithm, buffer can be inserted at non-Steiner point to avoid excessive detour. After the buffer insertion and wiresizing algorithm, the SSM algorithm repositions the buffers to possibly reduce total wirelength.

The paper compared the worst case skews under process variations for clock trees before and after applying SSM. The reduction in the worst case skews is in the range of 87X to 144X [ChCh94]. The SSM algorithm also achieves 2X to 11X reduction

in clock delay.

Pullela et al. [PuMO93] also proposed a buffer insertion/sizing and wire sizing algorithm for a tree of l levels. Based on the most critical resources to be optimized, the algorithm first estimate the number of buffer levels, denoted b . For b stages of buffer, the algorithm try all possible level combinations to find the optimal levels in which buffers should be inserted. The skew resource B is equally distributed among the clock tree such that the tolerable skew constraint of buffer, denoted B_b , and tolerable skew constraint for interconnect, denoted B_w due to process variations are $B_b = B_w = B/(l + b)$ for each subtree. As in the SSM algorithm, subtrees at the same level are driven by buffers of the same size. The algorithm aims to achieve the followings: (i) each subtree is nominally zero-skew by wiresizing and possibly introducing detour wire, (ii) each subtree have equal delay and equal effective capacitance by assigning appropriate size and length to the stub of interconnect connecting a buffer to the root of the subtree, and (iii) each subtree is driven by the smallest buffer that achieve the required skew constraints.

To achieve (i), the algorithm computes in a bottom-up fashion, the wire and length of each edge in the subtree such that zero skew is achieved. Based on the wire skew constraint B_w and computing the maximum change in delay Δt_w induced by a change in the width of an edge due to process variations, the minimum width of the edge required such that $\Delta t_w \leq B_w/2$ can be estimated.¹³ By applying an approach similar to [Ts91] with the lengths and widths as variables, the widths and lengths of the two edges are computed to satisfy the estimated minimum width constraints and some prespecified maximum width constraint. Detour is avoided when absolutely possible.

In (ii), by introducing a stub of interconnect from the buffer to the root of the subtree, it is always possible to achieve equal interconnect delay for all subtrees at the same level. To match the effective capacitance (so that each subtree can be driven by buffers of the same size), the length and width of the stub is chosen such that the ratio of the first two moments given in the π -model are matched. To achieve objective (iii), we note that given a buffer size, the worst case skew $\Delta skew_b$ induced by changes in buffer sizes due to process variations can be computed easily (since all buffers at the same level have equal size and they drive equal load). The smallest buffer size that satisfies the constraint $\Delta skew_b \leq B_b$ is chosen.

Simulation results show that delay reduction is achieved, with up to 25X reduction for large circuits when compared to the wiresized clock trees constructed in [PuMP93]. By buffer insertion, [PuMO93] also reduces the maximum wire width required for reliability (compared to [PuMP93]). This translates to reduction in total wiring area and therefore power dissipation. It was observed that for delay (and power-delay product) minimization, the optimal number of buffer levels is close to half the number of levels in the tree [PuMO93].

We note that buffer insertion algorithms such as those in [DhFW84, WuSh92, TéSa94, ViMa95, ChWo96, XiDa95] do not restrict buffers to be located at branching points only, whereas the algorithms by [ChCh94, PuMO93] consider buffer insertion at branching points only.

Chen, Chang, and Wong [ChCW96a] very recently proposed a simultaneous buffer and wire sizing algorithm based on Lagrangian relaxation. The algorithm minimizes clock skew by iteratively assigning appropriate weights (or Lagrangian multipliers) to sinks and performing device and wire sizing based on a weighted-sum formulation similar to those in [CoLe95, CoKo94, BoKR93]. Please refer to Section 4.2.2 for more details.

¹³The actual value cannot be computed since the upstream resistance is not known *a priori* and the length of the edge is only an estimate.

5.5 Non-Tree Clock Routing

So far, we have considered only tree topology for the clock net. In the following, we discuss a heuristic proposed by Lin and Wong [LiWo94] to construct a non-tree clock net. In [LiWo94], instead of binary-merging as in the DME approach, *multiple-merge* is considered to merge multiple pins at one time to form a rooted zero skew non-tree subrouting. Recursively, at a higher level of hierarchy, multiple-merge is applied to the roots of sub routings constructed at one level below until the resulting sub-routing covers all the sinks. Let NT_v denote the non-tree subrouting rooted at v and $t(v)$ be the v -to-sink delay for sinks in NT_v .

The multiple-merge operation is carried out in two steps. Consider a set of root nodes (typically 15 or 16 nodes) to be merged, In the first step, called the center tree routing, the nodes is connected to a center trunk via a branching point (Figure 41(a)). Without loss of generality, assume that the bounding box of the nodes has a larger dimension in the x direction. The center trunk is routed in the x direction. Let u and v be the two farthest nodes in the y direction. The location of the trunk is determined such that the delays $t(u)$ and $t(v)$ are balanced (see zero-skew merging in Section 5.2.1). The remaining nodes are also connected to the center trunk, possibly with snaking of wires such that all sink delays from the respective branching points are equal. The branching points are placed on the trunks such that they are maximally spread out. The center trunk is also sized to reduce skew sensitivity.

In the second step, a pathlength balanced binary tree is routed to connect to N driving points along the trunk, with N being a power of two (Figure 41(b)). N is determined exhaustively (typically, $N = 4, 8,$ or 16) so as to reduce the RC delay. The N driving points are placed on the trunk such that the cumulative capacitive load from one end of the trunk to the i -th driving point is $\frac{2i-1}{2N}C_L$ for $i = 1..N$, where C_L is the total load of the center tree. A buffer is then inserted at the root of the balanced length binary tree and is then treated as a root node to be merged in the next iteration of the algorithm.

Note that the binary tree and the trunk forms a non-tree routing that is constructed to minimize the sensitivity of the clock skew to process-variation. The idea is that the buffer drives the center trunk through the balanced length binary tree at N driving points and thus shortening the signal propagation latency since there are now multiple paths to the center trunk. Compared to the routing solution [Ts91] for a industry floating point unit, the non-tree routing algorithm by [LiWo94] reported better worst case skew under process variations.

5.6 Clock Schedule Optimization

So far, we have presented research works that addressed the problem of constructing a clock routing tree T such that $skew(T) = \max_{i,j} |t_i - t_j| \leq B$. In most of the studies, B is set to be zero. Even if we allow non-zero skew bound B , we shall see that this constraint is overly conservative.

Consider a synchronous VLSI circuits using positive edge-triggered D-flip-flops as registers under a single-phase clocking scheme. A pair of registers are *sequentially adjacent* if only combinational logic exists between the two registers. Note that the order of the registers (i.e., whether it is an initial or final register) depends on the direction of flow of the data. The difference in the arrival times of clock signal at the clock pins s_i of initial register R_i and s_j of final register R_j , where R_i and R_j are sequentially adjacent, is the (*local*) clock skew $skew(i, j) = t_i - t_j$.

Local clock skew places upper bound on the performance of the circuit. The minimum allowable clock period C_P between

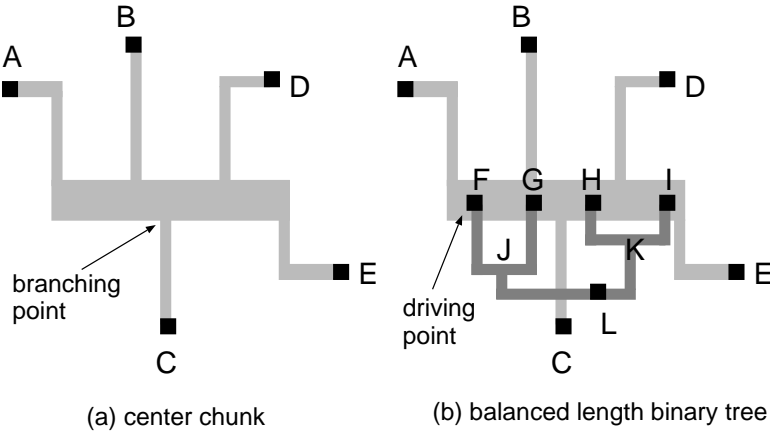


Figure 41: (a) A center trunk connecting 5 sinks (b) A rooted balanced length binary tree at L driving the center trunk at 4 positions.

two sequentially adjacent registers R_i and R_j satisfies the following inequality [WeEs93]:

$$C_P \geq t(L_{ij}) + skew(i, j) + t_{su} + t_{ds}, \quad (37)$$

where $t(L_{ij})$ is the delay for the data to travel through combinational logic L_{ij} from R_i to R_j , t_{su} is the setup time of the registers, and t_{ds} is the propagation delay within the register. Note that for the data to be latched into the final register correctly, it must be ready t_{su} units of time before the triggering clock edge. Also note that the term $t(L_{ij})$ can be further decomposed into $t(L_{ij}) = t_{interconnect}(L_{ij}) + t_{gate}(L_{ij})$, where $t_{interconnect}(L_{ij})$ is the interconnect delay and $t_{gate}(L_{ij})$ is the gate delay. We use $t_{max}(L_{ij})$ to denote the longest path delay through L_{ij} and $t_{min}(L_{ij})$ to denote the shortest path delay through L_{ij} .

If clock signal is not properly scheduled, clock hazards may occur. For example, data may reach the final register at too late a time, or the data may race through the fast path and destroy the correct data at the final register before the correct data is latched. To eliminate clock hazards, we impose the following constraints [Fr95]:

$$\begin{aligned} skew(i, j) &\leq C_P - (t_{su} + t_{ds} + t_{max}(L_{ij})), \\ -skew(i, j) &\leq t_{min}(L_{ij}) + t_{ds} - t_{hold}, \end{aligned} \quad (38)$$

where t_{hold} is the amount of time the input data signal must remain stable once the clock signal changes state. Therefore, if $skew(i, j)$ is positive, it always decreases the maximum attainable clock frequency. However, if we examine the inequality regarding clock period in Eqn. (37), negative clock skew, i.e., $skew(i, j) < 0$, actually increases the effective clock period. In other words, we can actually improve the performance of the system by introducing negative clock skew as long as Eqn. (38) is not violated.

We can conclude that the clock skew is only relevant for sequentially adjacent registers and the clock skew between registers on different data paths does not affect the performance and reliability of the synchronous system. Therefore, it is not necessary to construct a zero-skew routing tree. In fact, it may be desirable to have (negative) clock skew. Moreover, different pairs of sequentially adjacent registers may have different skew constraints (since the delays due to different combinational logic blocks

are likely to be different).

There are several works on clock schedule optimization. However, these works did not consider clock routing. For example, Fishburn [Fi90] used linear programming to compute the optimal clock arrival times at the sinks such that either the clock period C_P is minimized or the safety margin for clock error given a prescribed clock period is maximized while constraints similar to those in Eqn. (38) are satisfied. While the gate sizes in the logic block remain unchanged throughout the optimization process in [Fi90], [ChSH93a, SaSF95] removed this restriction and considered gate sizing in the clock schedule optimization process in order to achieve faster clock rate. While [Fi90, ChSH93a, SaSF95] assumed a fixed network of registers, in [Fr92b, SoFr94, SoFM95], the authors considered retiming using skew information to optimize the circuit. Registers may be removed or inserted as long the circuit still operates correctly.

A related problem on clock schedule optimization is to construct a clock tree that satisfies the clock schedule. Given a clock schedule, Neves and Friedman [NeFr93, NeFr94, NeFr95] construct an (abstract) topology of the clock distribution network and determine the delay values at each branch of the clock network. Their works are mainly targeted for hierarchical data path design [NeFr93, NeFr94, NeFr95]. However, they did not give a specific routing algorithm to embed the abstract topology. Seki et al. [SeIK94] proposed a clock router that can accomplish specified delay using multiple routing layers. Very similar to the center tree routing step in the non-tree clock routing algorithm proposed by [LiWo94], it uses a center trunk and routes from branching point on the trunk to sinks with snaking where necessary.

A more recent work by Xi and Dai [XiDa96] considers clock schedule optimization with clock tree construction and gate sizing. The proposed *useful skew tree* (UST) algorithm first generates an abstract topology using a top-down bipartitioning approach. The bipartitioning process is guided by the objective of producing *useful* negative skew. Sinks should be partitioned into groups that have loose skew constraints. Sequentially adjacent registers across two groups should have the same logic path direction. A useful skew tree (UST) is then constructed using bottom-up merging and top-down embedding from the abstract topology. Since it is a non-zero skew merging, bottom-up merging produces merging regions. Similar to IME, it uses a set of merging segments to sample a merging region. However, it uses only a merging segment from the set to generate the merging region of the parent. After the initial UST is constructed, the UST algorithm uses a simulated annealing process to explore the solution space. A merging segment perturbation operation is used to select a different merging segment for the merging operation. Note that this changes the clock routing tree configuration, and therefore, the clock schedule and skews. After each merging segment perturbation operation, the UST algorithm performs gate sizing of combinational logic blocks to reduce power dissipation.

The UST heuristic has been evaluated using three ISCAS89 benchmark circuits [BrBK89] and two industry circuits. In all but one case, the UST algorithm uses less wirelength when compared to the Greedy-BST/DME [CoKo95, HuKT95] and BB+DME algorithms [ChHH92b]. For each circuit, the skew bound for BST construction [CoKo95, HuKT95] is set to be the smallest skew bound of all sink pairs. To compare the impact of a UST on power dissipation, [XiDa96] also performed gate sizing with bounded (zero) skew after a BST (ZST) was constructed. The power reductions achieved by the UST approach vary from 11% to 22% over the BST and ZST approaches.

6 Conclusion and Future Work

In this paper, we presented an up-to-date survey of the design and optimization techniques for VLSI interconnect layout. These results show convincingly that interconnect optimization has a significant impact on circuit performance in deep submicron VLSI design. In this section, we would like to offer a brief summary with our assessment of various interconnect optimization techniques presented in this paper, and suggest directions for future research.

1. Interconnect topology optimization: We feel that geometric based Steiner tree algorithms such as the A-tree [CoLZ93], Alphabetic Tree [ViMa94], P-Tree [LiCL96b] algorithms usually provide a good initial routing topology. These algorithms use the right level of abstraction and can be incorporated in a global router efficiently. Further delay reduction can be achieved by refining the initial topology, for example, using the techniques presented in [BoOI94, BoKR93, ViMa94, XuKu95b]. Most effective topology optimization for delay reduction is achieved by considering routing tree construction with buffer insertion as discussed in [OkCo96a, OkCo96b, LiCL96a]. However, more studies need to be done on how to extend various routing tree construction algorithms to take into consideration of multiple-layer routing with different RC characteristics in each layer, presence of routing obstacles, and routability optimization.

2. Device and interconnect sizing: The optimization problems in this area usually have well defined mathematical programming formulations. We feel that the sensitivity based heuristics, such as those used in [FiDu85, Sa94], and the local refinement technique based on the dominance property (and the bundled refinement property) used in [CoLe95, CoKo94, CoHe95, CoHe96c] are most efficient, produce good quality solutions, and scale up well with the rapid increasing of design complexity. The initial device and interconnect sizing solutions can be computed using a simple switch-level driver model and Elmore delay model as in [FiDu85, CoLe95, CoKo94] and then more accurate driver and interconnect models, such as those used in [MePP95, MeBP95] can be applied to further refine the solution for performance and area optimization.

3. Clock routing: Various interconnect optimization techniques presented in this paper have most significant impact on clock routing due to the extremely large size of clock nets. Extensive studies of the clock routing problem in the past few years have made much advance on automating high-performance clock net synthesis. The bottom-up construction methods using the DME technique (e.g., [Ed91, ChHH92a, BoKa92, CoKK95, ViMa95]) are most promising in terms of efficiency, flexibility, and the solution quality. Most existing approaches first produce a balanced routing topology and then perform buffer insertion, buffer and wire sizing. More studies need to be done on how to generate a clock tree topology together with buffer insertion, buffer sizing, and wire sizing to meet the skew, delay, power dissipation, and other constraints.

In addition to the interconnect optimization techniques in the areas presented in this paper, we think that the following topics are also very important to the development of next generation interconnect-driven layout systems, but have not received full attention from the VLSI CAD research community. We would like to suggest them as future research directions.

1. More accurate and efficient delay models for interconnect optimization: Most of existing works on interconnect optimization are based on the Elmore delay model due to its simplicity, explicit representation of signal delay in terms of interconnect design parameters, and fairly high fidelity under the current fabrication technology [BoKM93, CoHe96a, CoKK95]. However, limitations of the Elmore delay model are well recognized as it cannot be used to characterize the signal waveform, handle interconnect inductance, and model frequency-dependent effects. Although more accurate delay models are available, they were mainly developed for circuit simulation and do not provide an explicit causal relationship between signal responses and design

parameters for optimization. Therefore, there is a strong need to bridge the gap between the timing models used for circuit simulation and circuit and interconnect optimization. The recent work on efficient moment computation [YuKu95a], low-order moment matching [Ho84, ZhTG93, GaZh93, ZhST93, ZhST94, KaMu96b, KaMM96, TuDP96], and central moment formulation [KrGW95] have made very good progress in this direction. But much more work need to be done in this area.

2. Performance-driven global routing: Most of existing studies on interconnect design and optimization deal with only a single net for topology and wiresizing optimization. In reality, many timing critical nets need to be considered simultaneously and they often compete for various kind of routing resources such as routing tracks in preferred regions or layers, availability of feedthroughs over the cells/blocks, etc.. Also, timing requirements are usually given in terms of path delay constraints. One needs to either develop efficient algorithms to allocate the timing budget to each net along a path or be able to optimize multiple nets on a path simultaneously. Most well-known global routers, such as [LeSe88, CoPr88, CaCh91], did not consider timing optimization during global routing. Existing methods on delay budgeting, such as [NaBH89, Fr92a, TeKS96], were mainly developed for circuit placement and their applicability to global routing is yet to be demonstrated. Therefore, it is important to develop an efficient global router which can incorporate the various interconnect optimization techniques discussed in this paper and be able to produce a high-quality routing solution with careful consideration of the trade-off between routability, efficiency, and timing optimization.

3. Crosstalk minimization: As the VLSI technology further scales, the coupling capacitance is becoming a very important component in the total interconnect capacitance and affect the interconnect delay significantly. Again, in order to consider the coupling effect (i.e. crosstalk), one needs to consider the interaction of multiple nets simultaneously. Existing works on crosstalk reduction, including those presented in [ChOK93, GaLi93, GaLi94, KiSa94, XuKW96], focus mainly on proper spacing and wire segment ordering. It is not yet clear how crosstalk will be affected by buffer insertion, device and wire sizing, etc.. Therefore, it is of both theoretical and practical interest to generalize the optimization techniques presented in this paper to take crosstalk minimization into account.

4. Multi-layer general-area gridless detailed routing: Wiresizing optimization may require the wire width to change from net to net or even from segment to segment within the same net. Also, crosstalk minimization may result in variable spacing between different nets or different wire segments. Therefore, the detailed router needs to be able to perform variable-width variable-spacing gridless routing very efficiently. Moreover, the advance of VLSI technology makes multiple metal routing layers possible and affordable. The traditional routing technology developed for two routing layers based on channel routers is becoming obsolete, and multi-layer general area routers are needed to handle over-the-cell routing efficiently. Most of existing works on general area routing, such as those in [LiHT89, KaSS90, DaKJ90, KhCo95], were developed for the two-layer routing technology, and they cannot handle gridless routing. Therefore, in order to support the interconnect optimization techniques presented in this paper, one needs to develop efficient algorithms for multi-layer general-area gridless routing.

Finally, given the increasing importance of interconnects, we would like to propose a new design methodology, named *interconnect-driven design*. In the conventional VLSI design, much emphasis has been given on design and optimization of logic and devices. The interconnection was done by either layout designers or automatic Place-&-Route tools as an after-thought. In the interconnect-driven design, we suggest that interconnect design and optimization be considered and emphasized throughout the design process (see Figure 42). Such a paradigm shift is analogous to the one happened in the software design domain. In the early days of computer science, much emphasis was placed on algorithm design and optimization while data organization

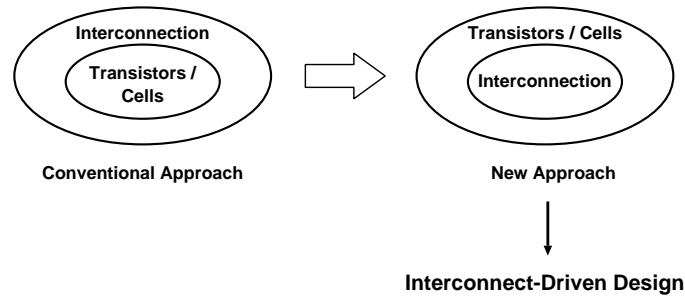


Figure 42: Proposed paradigm shift for Interconnect-driven VLSI design.

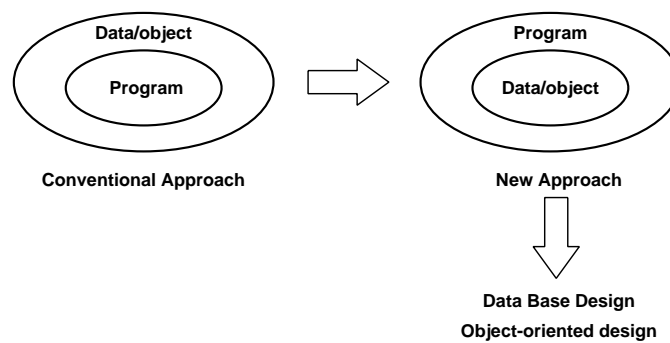


Figure 43: An analogous methodology change in software design

was considered to be a secondary issue. It was recognized later on, however, that the data complexity is the dominating factor in many applications. This fact gradually led to a data-centered software design methodology, including the development of database systems and the recent object-oriented design methodology (see Figure 43). We believe that the development of interconnect-driven design techniques and methodology will impact the VLSI system design in a similar way as the database design and object-oriented design methodology has benefited the software development.

Acknowledgement

This work is partially supported by DARPA under Contract J-FBI-93-112, NSF Young Investigator Award MIP9357582, and grants from Intel Corporation and Silicon Valley Research under the California MICRO Program.

References

- [AIHK93] C. J. Alpert, T. C. Hu, J. H. Huang, and A. B. Kahng, "A Direct Combination of the Prim and Dijkstra Constructions for Improved Performance-Driven Global Routing," *Proc. Int'l Symp. on Circuits and Systems*, 1993, pp. 1869–1872.

- [AwBP90] B. Awerbuch, A. Baratz, and D. Peleg, "Cost-Sensitive Analysis of Communication Protocols," *Proc. ACM Symp. Principles of Distributed Computing*, 1990, pp. 177–187.
- [Ba90] H. B. Bakoglu, *Circuits, Interconnections, and Packaging for VLSI*, Addison-Wesley, 1990.
- [BaWM86] H. Bakoglu, J. T. Walker, and J. D. Meindl, "A Symmetric Clock-Distribution Tree and Optimized High-Speed Interconnections for Reduced Clock Skew in ULSI and WSI Circuits," *Proc. IEEE Int'l Conf. on Computer Design*, Port Chester, 1986, pp. 118–122.
- [BeJe90] M. Berkelaar and J. Jess, "Gate Sizing in MOS Digital Circuits with Linear Programming," *Proc. European Design Automation Conf.*, 1990, pp. 217-221.
- [BeBJ94] M. Berkelaar, P. Buurman, and J. Jess, "Computing the Entire Active Area/Power Consumption versus Delay Trade-off Curve for Gate Sizing with a Piecewise Linear Simulator," *Proc. IEEE Int'l. Conf. on Computer-Aided Design*, 1994, pp. 474-480.
- [Be88] M. W. Bern, "Two Probabilistic Results on Rectilinear Steiner Trees," *Algorithmica*, 1988, pp. 3:191–204.
- [BoKa92] K. D. Boese and A. B. Kahng, "Zero-Skew Clock Routing Trees With Minimum Wirelength," *Proc. IEEE 5th Int'l ASIC Conf.*, Rochester, September 1992, pp. 1.1.1 - 1.1.5.
- [BoKM93] K. D. Boese, A. B. Kahng, B. A. McCoy, and G. Robins, "Fidelity and Near-Optimality of Elmore-Based Routing Constructions," *Proc. IEEE Int'l Conf. on Computer Design*, October 1993, pp. 81–84.
- [BoKM94] K. D. Boese, A. B. Kahng, B. A. McCoy, and G. Robins, "Rectilinear Steiner Trees with Minimum Elmore Delay," *Proc. Design Automation Conf.*, 1994, pp. 381–386.
- [BoKR93] K. D. Boese, A. B. Kahng, and G. Robins, "High-performance routing trees with identified critical sinks," *Proc. Design Automation Conf.*, 1993, pp. 182–187.
- [BoKM95] K. D. Boese, A. B. Kahng, B. A. McCoy, and G. Robins, "Near-Optimal Critical Sink Routing Tree Constructions," *IEEE Trans. on Computer-Aided Design*, 14(12), Dec. 1995, pp. 1417–1436.
- [BoOI94] M. Borah, R. M. Owens, and M. J. Irwin, "An Edge-Based Heuristic for Steiner Routing," *IEEE Trans. on Computer-Aided Design*, 13(12), Dec. 1994, pp. 1563–1568.
- [BoOI95] M. Borah, R. M. Owens, and M. J. Irwin, "Transistor Sizing for Minimizing Power Consumption of CMOS Circuit under Delay Constraint," *Proc. Int'l Symp. on Lower Power Design*, 1995, pp. 167-172.
- [BrBK89] F. Brglez, D. Bryan, and K. Kozminski, "Combinational Profiles of Sequential Benchmark Circuits," *Proc. Int'l Symp. on Circuits and Systems*, 1989, pp. 1929–1934.
- [CaCh91] R. C. Carden and C.-K. Cheng, "A Global Router Using An Efficient Approximate Multicommodity Multiterminal Flow Algorithm," *Proc. 28th ACM/IEEE Design Automation Conf.*, 1991, pp. 316–321.

- [Ch90] P. K. Chan, "Algorithms for Library-Specific Sizing of Combinational Logic," *Proc. ACM/IEEE Design Automation Conf.*, 1990, pp. 353-356.
- [ChHH92a] T.-H. Chao, Y.-C. Hsu, and J.-M. Ho, "Zero Skew Clock Net Routing," *Proc. ACM/IEEE Design Automation Conf.*, 1992, pp. 518-523.
- [ChHH92b] T.-H. Chao, Y.-C. Hsu, J. M. Ho, K. D. Boese and A. B. Kahng, "Zero Skew Clock Routing With Minimum Wirelength," *IEEE Trans. on Circuits and Systems*, 39(11), Nov. 1992, pp. 799-814.
- [ChCW96a] C. P. Chen, Y. W. Chang, and D. F. Wong, "Fast Performance-Driven Optimization for Buffered Clock Trees Based on Lagrangian Relaxation," *Proc. ACM/IEEE Design Automation Conf.*, 1996, pp. 405-408.
- [ChCW96b] C. P. Chen, Y. P. Chen, and D. F. Wong, "Optimal Wire-Sizing Formula Under the Elmore Delay Model," *Proc. ACM/IEEE Design Automation Conf.*, 1996, pp. 487-490.
- [ChKa91] H. Y. Chen and S. M. Kang, "iCOACH: A Circuit Optimization Aid for CMOS High-Performance Circuits," *Integration, the VLSI Journal*, vol. 10, Jan. 1991, pp. 155-168.
- [ChOK93] K. Chaudhary, A. Onozawa, and E. S. Kuh, "A Spacing Algorithm for Performance Enhancement and Cross-Talk Reduction," *Proc. IEEE Int'l Conf. on Computer-Aided Design*, Nov. 1993, pp. 697-702.
- [ChOT95] G. Chen, H. Onodera, and K. Tamaru, "An Iterative Gate Sizing Approach with Accurate Delay Evaluation," *Proc. IEEE Int'l. Conf. on Computer-Aided Design*, 1995, pp. 422-427.
- [ChWo96] Y. P. Chen and D. F. Wong, "An Algorithm for Zero-Skew Clock Tree Routing with Buffer Insertion," *Proc. European Design and Test Conf.*, 1996.
- [ChSa93] J. D. Cho and M. Sarrafzadeh, "A Buffer Distribution Algorithm for High-Speed Clock Routing," *Proc. ACM/IEEE Design Automation Conf.*, 1993, pp. 537-543.
- [ChCh93] N.-C. Chou and C.-K. Cheng, "Wire Length and Delay Minimization in General Clock Net Routing," *Proc. Int'l Conf. on Computer-Aided Design*, 1993, pp. 552-555.
- [ChSa95] W. Chuang and S. S. Sapatnekar, "Power vs. Delay in Gate Sizing: Conflicting Objectives?" *Proc. Int'l Conf. on Computer-Aided Design*, November 1995, pp. 463-466.
- [ChSH93a] W. Chuang, S. S. Sapatnekar, and I. N. Hajj, "A Unified Algorithm for Gate Sizing and Clock Skew Optimization to Minimize Sequential Circuit Area," *Proc. Int'l Conf. on Computer-Aided Design*, 1993, pp. 220-223.
- [ChSH93b] W. Chuang, S. S. Sapatnekar, and I. N. Hajj, "Delay and Area Optimization for Discrete Gate Sizes under Double-Sided Timing Constraints," *Proc. IEEE Custom Integrated Circuits conf.*, 1993, pp. 9.4.1-9.4.4.
- [ChSH95] W. Chuang, S. S. Sapatnekar, and I. N. Hajj, "Timing and Area Optimization for Standard-Cell VLSI Circuit Design," *IEEE Trans. on Computer-Aided Design*, March 1995, pp. 308-320.

- [ChCh94] J. Chung and C.-K. Cheng, "Skew Sensitivity Minimization of Buffered Clock Tree," *Proc. Int'l Conf. on Computer-Aided Design*, 1994, pp. 280–283.
- [Ci87] M. A. Cirit, "Transistor Sizing in CMOS Circuits," *Proc. 24th ACM/IEEE Design Automation Conf.*, 1987, pp. 121-124.
- [CoRa91] J. P. Cohoon and L. J. Randall, "Critical Net Routing," *Proc. Int'l Conf. on Computer Design*, 1991, pp. 174–177.
- [CoHe95] J. Cong and L. He, "Optimal Wiresizing for Interconnects with Multiple Sources," *Proc. IEEE Int'l. Conf. on Computer Design*, Nov. 1995, pp. 568–574.
- [CoHe96a] J. Cong and L. He, "Optimal Wiresizing for Interconnects with Multiple Sources," *ACM Trans. on Design Automation of Electronic Systems*, to appear, 1996 (also available as *UCLA Technical Report 95-00031*, 1995).
- [CoHe96b] J. Cong and L. He, "Simultaneous Transistor and Interconnect Sizing Based on the General Dominance Property", *Proc. ACM/SIGDA Physical Design Workshop*, April. 1996 (also available as *UCLA Computer Science, Technical Report 95-00046*).
- [CoHe96c] J. Cong and L. He, "An Efficient Approach to Simultaneous Transistor and Interconnect Sizing," to appear in *Proc. Int'l Conf. on Computer-Aided Design*, Nov. 1996.
- [CoKK95] J. Cong, A. B. Kahng, C.-K. Koh and C.-W. A. Tsao, "Bounded-Skew Clock and Steiner Routing Under Elmore Delay," *Proc. Int'l Conf. on Computer-Aided Design*, 1995, pp. 66–71.
- [CoKR91] J. Cong, A. B. Kahng, and G. Robins, "On Clock Routing for General Cell Layouts," *Proc. IEEE Int'l ASIC Conf.*, Sep. 1991, pp. 14:5.1–14:5.4.
- [CoKR91b] J. Cong, A. B. Kahng, G. Robins, M. Sarrafzadeh, and C. K. Wong, "Performance-Driven Global Routing for Cell Based ICs," *IEEE Int. Conf. Computer Design*, 1991, pp. 170–173.
- [CoKR93] J. Cong, A. B. Kahng, and G. Robins, "Matching-Based Methods for High-Performance Clock Routing," *IEEE Trans. on Computer-Aided Design*, 12(8), Aug. 1993, pp. 1157–1169.
- [CoKR92] J. Cong, A. B. Kahng, G. Robins, M. Sarrafzadeh, and C. K. Wong, "Provably Good Performance-Driven Global Routing," *IEEE Trans. on Computer-Aided Design*, 11(6), June 1992, pp. 739-752.
- [CoKL96] J. Cong, C.-K. Koh, and K.-S. Leung, "Simultaneous Buffer and Wire Sizing for Performance and Power Optimization," *Proc. Int'l Symp. on Low Power Electronics and Design*, August 1996, pp. 271–276.
- [CoKo95] J. Cong and C.-K. Koh, "Minimum-Cost Bounded-Skew Clock Routing," *Proc. IEEE Int'l Symp. on Circuits and Systems*, Apr. 1995, vol. 1, pp. 215–218.
- [CoKo94] J. Cong and C.-K. Koh, "Simultaneous Driver and Wire Sizing for Performance and Power Optimization," *IEEE Trans. on Very Large Scale Integration (VLSI) Systems*, 2(4), December 1994, pp. 408-423.

- [CoLe93] J. Cong and K. S. Leung, "Optimal Wiresizing Under the Distributed Elmore Delay Model," *Proc. Int'l. Conf. on Computer-Aided Design*, 1993, pp. 634-639.
- [CoLe95] J. Cong and K. S. Leung, "Optimal Wiresizing Under the Distributed Elmore Delay Model," *IEEE Trans. on Computer-Aided Design*, 14(3), March 1995, pp. 321-336.
- [CoLZ93] J. Cong, K. S. Leung, and D. Zhou, "Performance-Driven Interconnect Design Based on Distributed RC Delay Model," *Proc. ACM/IEEE Design Automation Conf.*, 1993, pp. 606-611.
- [CoMa95] J. Cong and P. H. Madden, "Performance Driven Routing with Multiple Sources," *Proc. Int'l Symp. on Circuits and Systems*, 1995, pp. 1157-1169.
- [CoMa95b] J. Cong and P. H. Madden, "Performance Driven Routing with Multiple Sources," *Tech. Rep. CSD-950002*, UCLA, Jan. 1995.
- [CoPr88] J. Cong and B. Preas, "A New Algorithm for Standard Cell Global Routing," *Proc. IEEE Int'l Conf. on Computer-Aided Design*, Nov. 1988, pp. 176-179.
- [DaAs89] Z. Dai and K. Asada, "MOSIZ: A Two-Step Transistor Sizing Algorithm Based on Optimal Timing Assignment Method for Multi-stage Complex Gates," *Proc. 1989 Custom Integrated Circuits Conf.*, pp. 17.3.1-17.3.4, May 1989.
- [DaKJ90] W. M. Dai, R. Kong, J. Jue, and M. Sato, "Rubber Band Routing and Dynamic Data Representation," *Proc. Int'l Conf. on Computer-Aided Design*, Nov. 1990, pp. 52-55.
- [DaMQ94] F. Dartu, N. Menezes, J. Qian, and L. T. Pillage, "A Gate-Delay Model for High-Speed CMOS Circuits," *Proc. ACM/IEEE Design Automation Conf.*, 1994, pp. 576-580.
- [DeCJ96] M. P. Desai, R. Cvijetic, and J. Jensen, "Sizing of Clock Distribution Networks for High Performance CPU Chips," *Proc. 33rd Design Automation Conf.*, 1996, pp. 389-394.
- [DhFW84] S. Dhar, M. A. Franklin, and D. F. Wann, "Reduction of Clock Delays in VLSI Structures," *Proc. Int'l Conf. on Computer Design*, 1984, pp. 778-783.
- [Di59] E. Dijkstra, "A Note on Two Problems in Connexion with Graphs," *Numerische Mathematik*, 1959, pp. 1:269-271.
- [DrWa72] S. E. Dreyfus and R. A. Wagner, "The Steiner Problem in Graphs," *Networks*, I:195-207, 1972.
- [Ec80] J. G. Ecker, "Geometric Programming: Methods, Computations and Applications," *SIAM Review*, vol. 22, No. 3, July 1980, pp. 338-362.
- [Ed91] M. Edahiro, "Minimum Skew and Minimum Path Length Routing in VLSI Layout Design," *NEC Research and Development*, 32(4), Oct. 1991, pp. 569-575.

- [Ed92] M. Edahiro, "Minimum Path-Length Equi-Distant Routing," *Proc. IEEE Asia-Pacific Conf. on Circuits and Systems*, Dec. 1992, pp. 41–46.
- [Ed93a] M. Edahiro, "A Clustering-Based Optimization Algorithm in Zero-Skew Routing," *Proc. ACM/IEEE Design Automation Conf.*, Jun. 1993, pp. 612–616.
- [Ed93b] M. Edahiro, "Delay Minimization for Zero-Skew Routing," *Proc. IEEE Int'l Conf. on Computer-Aided Design*, 1993, pp. 563-566.
- [Ed94] M. Edahiro, "An Efficient Zero-Skew Routing Algorithm," *Proc. ACM/IEEE Design Automation Conf.*, Jun. 1994, pp. 375–380.
- [El48] W. C. Elmore, "The Transient Response of Damped Linear Networks with Particular Regard to Wide-Band Amplifiers," *Journal of Applied Physics*, vol. 19, no. 1, Jan. 1948, pp. 55–63.
- [Fi90] J. P. Fishburn, "Clock Skew Optimization," *IEEE Trans. on Computers*, 39(7), Jul. 1990, pp. 945–951.
- [FiDu85] J. P. Fishburn and A. E. Dunlop, "TILOS: A Posynomial Programming Approach to Transistor Sizing," *Proc. Int'l Conf. on Computer-Aided Design*, 1985, pp. 326-328.
- [FiKu82] A. L. Fisher and H. T. Kung, "Synchronizing Large Systolic Arrays," *Proc. SPIE*, vol. 341, May 1982, pp. 44-52.
- [Fr92a] J. Frankle, "Iterative and Adaptive Slack Allocation for Performance-Driven Layout and FPGA Routing," *Proc. ACM/IEEE Design Automation Conf.*, 1992, pp. 536–542.
- [Fr92b] E. G. Friedman, "The Application of Localized Clock Distribution Design to Improving the Performance of Retimed Sequential Circuits," *Proc. of IEEE Asia-Pacific Conf. on Circuits and Systems*, Dec 1992, pp. 12–17.
- [Fr95] E. G. Friedman, Editor, *Clock Distribution networks in VLSI Circuits and Systems: A Selected Reprint Volume*, 1995.
- [GaLi93] T. Gao and C. L. Liu, "Minimum Crosstalk Channel Routing," *Proc. IEEE Int'l Conf. on Computer-Aided Design*, Nov. 1993, pp. 692–696.
- [GaLi94] T. Gao and C. L. Liu, "Minimum Crosstalk Switchbox Routing," *Proc. IEEE Int'l Conf. on Computer-Aided Design*, Nov. 1994, pp. 610–615.
- [GaZh93] D. S. Gao and D. Zhou, "Propagation Delay in RLC Interconnection Networks," *Proc. IEEE Int'l Symp. on Circuits and Systems*, 1993, pp. 2125–2128.
- [GaJo79] M. R. Garey and D. S. Johnson, *Computers and Intractability*, W. H. Freeman, San Francisco, 1979.
- [GePa87] G. Georgakopoulos and C. H. Papadimitriou, "The 1-Steiner Tree Problem," *Journal of Algorithms*, vol. 8, 1987, pp. 122-130.

- [GuTK95] R. Gupta, B. Tutuianu, B. Krauter, and L. T. Pillage, "The Elmore Delay as a Bound for RC Trees with Generalized Input Signals," *Proc. 32nd ACM/IEEE Design Automation Conf.*, June 1995, pp. 364–369.
- [Ha66] M. Hanan, "On Steiner's Problem with Rectilinear Distance," *SIAM Journal of Applied Mathematics*, 14, 1966, pp. 255–265.
- [HeJe87] N. Hedenstierna and K. O. Jeppson, "CMOS Circuit Speed and Buffer Optimization," *IEEE Trans. on Computer-Aided Design*, 1987, pp. 270-281.
- [He87] K. S. Hedlund, "AESOP: A Tool for Automatic Transistor Sizing," *Proc. 24 ACM/IEEE Design Automation Conf.*, 1987, pp. 114-120.
- [HeFi91] L. S. Heulser and W. Fichtner, "Transistor Sizing for Large Combinational Digital CMOS Circuits," *Integration, the VLSI Journal*, vol. 10, Jan. 1991, pp. 185-212.
- [HiKo92] U. Hinsberger and R. Kolla, "A Cell-based Approach to Performance Optimization of Fanout-Free Circuits," *IEEE Trans. on Computer-Aided Design*, vol. 11, No. 10, Oct., 1992, pp. 1317-1321.
- [HLCW89] J.-M. Ho, D. T. Lee, C.-H. Chang, and C. K. Wong. "Bounded-Diameter Minimum Spanning Trees and Related Problems," *Proc. Computational Geometry Conf.*, 1989, pp. 276–282.
- [HoVW90] J. M. Ho, G. Vijayan, and C. K. Wong. "New Algorithms for the Rectilinear Steiner Tree Problem," *IEEE Trans. on Computer-Aided Design*, 9(2), 1990, pp. 185–193.
- [HoMR94] T. D. Hodes, B. A. McCoy, and G. Robins, "Dynamically-Wiresized Elmore-Based Routing Constructions," *Proc. Int'l Symp. on Circuits and Systems*, 1994, pp. 463-466.
- [HoNS90] B. Hoppe, G. Neuendore, D. Schmitt-Landsiedel, and W. Specks "Optimization of High-Speed CMOS Logic Circuits with Analytical Models for Signal Delay, Chip Area and Dynamic Power Dissipation," *IEEE Trans. on Computer-Aided Design*, 9(3), March 1990, pp. 237-247.
- [Ho84] M. A. Horowitz, "Timing Models for MOS Circuits," *PhD Thesis*, Stanford University, January, 1984.
- [HoXK93] X. Hong, T. Xue, E. S. Kuh, C. K. Cheng, and J. Huang, "Performance-Driven Steiner Tree Algorithms For Global Routing," *Proc. ACM/IEEE Design Automation Conf.*, 1993, pp. 177-181.
- [HuKT95] J. H. Huang, A. B. Kahng and C.-W. A. Tsao, "On the Bounded-Skew Routing Tree Problem," *Proc. ACM/IEEE Design Automation Conf.*, San Francisco, Jun. 1995, pp. 508-513.
- [Hw76] F. K. Hwang, "On Steiner Minimal Trees with Rectilinear Distance," *SIAM Journal of Applied Mathematics*, 30(1), Jan. 1976, pp. 104–114.
- [HwRi92] F. K. Hwang and D. S. Richards, "Steiner Tree Problems," *Networks*, 22:55–89, 1992.
- [JaSK90] M. A. B. Jackson, A. Srinivasan and E. S. Kuh, "Clock Routing for High Performance ICs," *Proc. ACM/IEEE Design Automation Conf.*, 1990, pp. 573–579.

- [KaCR91] A. B. Kahng, J. Cong and G. Robins, "High-Performance Clock Routing Based on Recursive Geometric Matching," *Proc. ACM/IEEE Design Automation conf.*, June 1991, pp. 322-327.
- [KaMM96] A. B. Kahng, K. Masuko, and S. Muddu, "Analytical Delay Model for VLSI Interconnects Under Ramp Input", *UCLA CS Dept. TR-960015*, April 1996, also to appear in *Proc. Int'l Conf. on Computer-Aided Design*, Nov. 1996.
- [KaMu94] A. B. Kahng and S. Muddu, "Optimal Equivalent Circuits for Interconnect Delay Calculations Using Moments," *Proc. European Design Automation Conf.*, Sep. 1994, pp. 164-169.
- [KaMu95] A. B. Kahng and S. Muddu, "Two-pole Analysis of Interconnection Trees", *Proc. IEEE Multi-Chip Module Conf.*, January 1995, pp. 105-110.
- [KaMu96a] A. B. Kahng and S. Muddu, "Efficient Gate Delay Modeling for Large Interconnect Loads," *Proc. IEEE Multi-Chip Module Conf.*, 1996, pp. 202-207.
- [KaMu96b] A. B. Kahng and S. Muddu, "Accurate Analytical Delay Models for VLSI Interconnects", *IEEE Int. Symposium on Circuits and Systems*, May 1996.
- [KaRo92] A. B. Kahng and G. Robins, "A New Class of Iterative Steiner Tree Heuristics with Good Performance," *Trans. on Computer-Aided Design*, 11(7), July 1992, pp. 893-902,
- [KaRo94] A. B. Kahng and G. Robins, *On Optimal Interconnections for VLSI*, Kluwer Academic Publishers, 1994.
- [KaSS90] K. Kawamura, T. Shindo, T. Shibuya, H. Miwatari, and Y. Ohki, "Touch and Cross Router," *Proc. IEEE Int'l Conf. on Computer-Aided Design*, Nov. 1990, pp. 56-59.
- [KaTs94a] A. B. Kahng and C.-W. A. Tsao, "Planar-DME: Improved Planar Zero-Skew Clock Routing with Minimum Path-length Delay," *Proc. European Design Automation Conf.*, 1994, pp. 440-445.
- [KaTs94b] A. B. Kahng and C.-W. A. Tsao, "Low-Cost Single-Layer Clock Trees with Exact Zero Elmore Delay Skew," *Proc. IEEE Int'l Conf. on Computer-Aided Design*, 1994, pp. 213-218.
- [KhCo95] K. Y. Khoo and J. Cong, "An Efficient Multilayer MCM Router Based on Four-Via Routing," *IEEE Trans. on Computer-Aided Design*, Oct. 1995, pp. 1277-1290.
- [KhRY93] S. Khuller, B. Raghavachari, and N. Young. "Balancing Minimum Spanning Trees and Shortest-Path Trees," *Proc. Symp. on Discrete Algorithms*, 1993, pp. 243-250.
- [KiSa94] D. A. Kirkpatrick and A. L. Sangiovanni-Vincentelli, "Techniques for Crosstalk Avoidance in the Physical Design of High-Performance Digital Systems," *Proc. IEEE Int'l Conf. on Computer-Aided Design*, Nov. 1994, pp. 616-619.
- [KrGW95] B. Krauter, R. Gupta, J. Willis, and L. T. Pileggi, "Transmission Line Synthesis," *Proc. 32nd ACM/IEEE Design Automation Conf.*, June 1995, pp. 358-363.

- [Kr56] J. B. Kruskal, "On the Shortest Spanning Subtree of a Graph," *Proc. American Math Society*, vol. 7, 1956, pp. 48–50.
- [KuGa82] S. Y. Kung and R. J. Gal-Ezer, "Synchronous vs Asynchronous Computation in VLSI Array Processor," *Proc. SPIE*, vol. 341, May 1982, pp. 53–65.
- [LeSe88] K.-W. Lee and C. Sechen, "A New Global Router for Row-Based Layout," *Proc. IEEE Int'l Conf. on Computer-Aided Design*, Nov. 1988, pp. 180–183.
- [LeWo80] D. T. Lee and C. K. Wong, "Voronoi Diagrams in l_1 (l_∞) Metrics with 2-Dimensional Storage Applications," *SIAM Journal of Computation*, vol. 9, No. 1, February 1980, pp. 200–211.
- [Li94] W. Li, "Strongly NP-hard Discrete Gate-Size Problems," *IEEE Trans. on Computer-Aided Design*, vol. 13, No. 8, Aug. 1994, pp. 1045-1051.
- [LiLA92] W. Li, A. Lim, P. Agrawal, and S. Sahni, and R. Kolla, "On the Circuit Implementation Problem," *Proc. ACM/IEEE Design Automation Conf.*, 1992, pp. 478-483.
- [LiDW93] H. Liao, W. Dai, R. Wang, and F. Y. Chang, "S-Parameter Based Macro Model of Distributed-Lumped Networks Using Exponentially Decayed Polynomial Function," *Proc. 30th ACM/IEEE Design Automation Conf.*, 1993, pp. 726–731.
- [LiCL95] J. Lillis, C. K. Cheng and T. T. Y. Lin, "Optimal Wire Sizing and Buffer Insertion for Low Power and a Generalized Delay Model," *Proc. IEEE Int'l. Conf. on Computer-Aided Design*, Nov. 1995, pp. 138-143.
- [LiCL96a] J. Lillis, C. K. Cheng and T. T. Y. Lin, "Simultaneous Routing and Buffer Insertion for High Performance Interconnect," *Proc. the Sixth Great Lakes Symp. on VLSI*, 1996.
- [LiCL96b] J. Lillis, C. K. Cheng, T. T. Y. Lin, and C. Y. Ho, "New Performance Driven Routing Techniques With Explicit Area/Delay Tradeoff and Simultaneous Wire Sizing," *Proc. ACM/IEEE Design Automation Conf.*, June 1996, pp. 395-400.
- [LiCW93] A. Lim, S.-W. Cheng, and C.-T. Wu. "Performance Oriented Rectilinear Steiner Trees," *Proc. ACM/IEEE Design Automation Conf.*, 1993, pp. 171–175.
- [LiHT89] Y.-L. Lin, Y.-C. Hsu, and F.-S. Tsai, "SILK: A Simulated Evolution Router," *IEEE Trans. on Computer-Aided Design*, 8(10), Oct. 1989, pp. 1108–1114.
- [LiLi75] H. C. Lin, L. W. Linholm, "An Optimized Output Stage for MOS Integrated Circuits," *IEEE Journal of Solid-State Circuits*, SC-10(2), 1975, pp. 106-109.
- [LiMK90] S. Lin, M. Marek-Sadowska, and E. S. Kuh, "Delay and Area Optimization in Standard-cell Design," *Proc. ACM/IEEE Design Automation Conf.*, 1990, pp. 349-352.

- [LiWo94] S. Lin and C. K. Wong, "Process-Variation-Tolerant Clock Skew Minimization," *Proc. Int'l Conf. on Computer-Aided Design*, 1994, pp. 284–288.
- [Ma86] D. P. Marple, "Transistor Size Optimization of Digital VLSI Circuits," *Tech. Rep. CSL-TR-86-308*, Stanford Univ., Oct. 1986.
- [Ma63] D. W. Marquardt, "An Algorithm for Least-Squares Estimation of Nonlinear Parameters," *SIAM Journal of Applied Mathematics*, vol. 11, 1963, pp. 431–441.
- [Ma93] A. Martinez, "Timing Model Accuracy Issues and Automated Library Characterization," *IFIP Transactions A (Computer Science and Technology)*, vol. A-22, 1993, pp. 413–426.
- [MeCo93] C. Mead and L. Conway, *Introduction to VLSI Systems*, Addison-Wesley, 1993.
- [MeBP95] N. Menezes, R. Baldick, and L. T. Pileggi, "A Sequential Quadratic Programming Approach to Concurrent Gate and Wire Sizing," *Proc. Int'l Conf. on Computer-Aided Design*, 1995, pp. 144–151.
- [MePD94] N. Menezes, S. Pullela, F. Dartu and L. T. Pillage, "RC Interconnect Synthesis — A Moment Fitting Approach," *Proc. Int'l Conf. on Computer-Aided Design*, 1994, pp. 418–425.
- [MePP93] N. Menezes, A. Balivada, S. Pullela, and L. T. Pillage, "Skew Reduction in Clock Trees Using Wire Width Optimization," *Proc. IEEE Custom Integrated Circuits Conf.*, 1993, pp. 9.6.1–9.6.4.
- [MePP95] N. Menezes, S. Pullela, and L. T. Pileggi, "Simultaneous Gate and Interconnect Sizing for Circuit-Level Delay Optimization," *Proc. 32nd ACM/IEEE Design Automation Conf.*, June 1995, pp. 690–695.
- [Mi90] M. Minoux, "Efficient Greedy Heuristics for Steiner Tree Problems Using Reoptimization and Supermodularity," *INFOR*, 28(3), Aug. 1990, pp. 221–233.
- [Na75] L. W. Nagel, "SPICE2: A Computer Program to Simulate Semiconductor Circuits," *Technical Report ERL-M520, UC-Berkeley*, May 1975.
- [NaBH89] R. Nair, L. Berman, P. S. Hauge, and E. J. Yoffa, "Generation of Performance Constraints for Layout," *IEEE Trans. on Computer-Aided Design*, 8(8), 1989, pp. 860–874.
- [NeFr93] J. L. Neves and E. G. Friedman, "Topological Design of Clock Distribution Networks Based on Non-Zero Clock Skew Specifications," *Proc of 36th Midwest Symp. on Circuits and Systems*, Aug. 1993, pp. 468–471.
- [NeFr94] J. L. Neves and E. G. Friedman, "Circuit Synthesis of Clock Distribution Networks Based on Non-Zero Clock Skew," *Proc of IEEE Int'l Symp. on circuits and Systems*, June 1994, pp. 4.175–4.178.
- [NeFr95] J. L. Neves and E. G. Friedman, "Minimizing Power Dissipation in Non-Zero Skew-based Clock Distribution Networks," *Proc of IEEE Int'l Symp. on Circuits and Systems*, Apr. 1995, pp. 3.1577–3.1579.
- [OkCo96a] T. Okamoto and J. Cong, "Interconnect Layout Optimization by Simultaneous Steiner Tree Construction and Buffer Insertion," *Proc. ACM/SIGDA Physical Design Workshop*, April. 1996, pp. 1–6.

- [OkCo96b] T. Okamoto and J. Cong, "Buffered Steiner Tree Construction with Wire Sizing for Interconnect Layout Optimization," to appear in *Proc. Int'l Conf. on Computer-Aided Design*, Nov. 1996.
- [OBSa89] P. R. O'Brien and T. L. Savarino, "Modeling the Driving-Point Characteristic of Resistive Interconnect for Accurate Delay Estimation," *Proc. Int'l Conf. on Computer-Aided Design*, Nov. 1989, pp. 512–515.
- [OhPP96] J. Oh, I. Pyo and M. Pedram, "Constructing Lower and Upper Bounded Delay Routing Trees Using Linear Programming," *Proc. 33rd Design Automation Conf.*, 1996, pp. 401–404.
- [Ou84] J. K. Ousterhout, "Switch-Level Delay Models for Digital MOS VLSI," *Proc. 21st Design Automation Conf.*, 1984, pp. 542–548.
- [Po78] M. J. D. Powell, "A Fast Algorithm for Nonlinear Constrained Optimization Calculations," *Lecture Notes in Mathematics*, no. 630, ed. G. A. Watson, Springer Verlag, 1978, pp. 144-157.
- [Pi95] L. Pileggi, "Coping with RC(L) Interconnect Design Headaches," *Proc. Int'l Conf. on Computer-Aided Design*, Nov. 1995, pp. 246–253.
- [PiRo90] L. T. Pillage and R. A. Rohrer, "Asymptotic Waveform Evaluation for Timing Analysis," *IEEE Trans. on Computer-Aided Design*, 9(4), Apr. 1990, pp. 352–366.
- [PiSk72] D. J. Pilling and J. G. Skalnik, "A Circuit Model for Predicting Transient Delays in LSI Logic Systems," *Proc. 6th Asilomar Conf. on Circuits and Systems*, 1972, pp. 424–428.
- [PrKu90] S. Prasad and W. J. Kubitz, "A Timing-Driven Global Router for Custom Chip Design," *Proc. Int'l Conf. on Computer-Aided Design*, 1990, pp. 48-51.
- [Pr57] R. C. Prim, "Shortest Connecting Networks," *Bell System Technical Journal*, vol. 31, 1957, pp. 1398–1401.
- [PuMO93] S. Pullela, N. Menezes, J. Omar and L. Pillage, "Skew and Delay Optimization for Reliable Buffered Clock Trees," *Proc. IEEE Int'l Conf. on Computer-Aided Design*, 1993, pp. 556–562.
- [PuMP93] S. Pullela, N. Menezes and L. T. Pillage, "Reliable Non-Zero Skew Clock Tree Using Wire Width Optimization," *Proc. ACM/IEEE Design Automation Conf.*, 1993, pp. 165-170.
- [QiPP94] J. Qian, S. Pullela, and L. T. Pileggi, "Modeling the "Effective Capacitance" for the RC Interconnect of CMOS Gates," *IEEE Trans. on Computer-Aided Design of Integrated Circuits and Systems*, 13(12), Dec. 1994, pp. 1526–1535.
- [RaSh89] P. Ramanathan and K. G. Shin, "A Clock Distribution Scheme for Non-Symmetric VLSI Circuits," *Proc. Int'l Conf. on Computer-Aided Design*, 1989, pp. 398–401.
- [RaSH92] S. K. Rao, P. Sadayappan, F. K. Hwang, and P. W. Shor, "The Rectilinear Steiner Arboriness Problem," *Algorithmica*, 1992, pp. 277–288.

- [RaPi94] C. L. Ratzlaff and L. T. Pillage, "RICE: Rapid Interconnect Circuit Evaluation Using AWE," *IEEE Trans. on Computer-Aided Design of Integrated Circuits and Systems*, 13(6), June 1994, pp. 763–776.
- [RuPH83] J. Rubinstein, P. Penfield, Jr., and M. A. Horowitz, "Signal Delay in RC Tree Networks," *IEEE Trans. on Computer-Aided Design*, CAD-2(3), July 1983, pp. 202–211.
- [Sa83] T. Sakurai, "Approximation of Wiring Delay in MOS-FET LSI," *IEEE Journal of Solid-State Circuits*, vol. 4, 1983, pp. 418–426.
- [SaSa94] P. K. Sancheti and S. S. Sapatnekar, "Interconnect Design Using Convex Optimization," *Proc. IEEE Custom Integrated Circuits Conf.*, 1994, pp. 549-552.
- [Sa94] S. S. Sapatnekar, "RC Interconnect Optimization Under the Elmore Delay Model," *Proc. ACM/IEEE Design Automation Conf.*, 1994, pp. 387-391.
- [Sap90] S. S. Sapatnekar and V. B. Rao, "iDEAS: A Delay Estimator and Transistor Sizing Tool for CMOS Circuits," *Proc. IEEE Custom Integrated Circuits Conf.*, May 1990, pp. 9. 3. 1-9. 3. 4.
- [SeIK94] M. Seki, K. Inoue, K. Kato, K. Tsurusaki, S. Fukasawa, H. Sasaki, and M. Aizawa, "A Specified Delay Accomplishing Clock Router Using Multiple Layers," *Proc. IEEE Int'l Conf. on Computer-Aided Design*, 1994, pp. 289–292.
- [SIA94] Semiconductor Industry Association, *National Technology Roadmap for Semiconductors*, 1994.
- [SaRV93] S. S. Sapatnekar, V. B. Rao, P. M. Vaidya, and S. M. Kang, "An Exact Solution to the Transistor Sizing Problem for CMOS Circuits Using Convex Optimization," *IEEE Trans. on Computer-Aided Design*, November 1993, pp. 1621-1634.
- [SaSF95] H. Sathyamurthy, S. S. Sapatnekar and J. P. Fishburn, "Speeding up Pipelined Circuits through a Combination of Gate Sizing and Clock Skew Optimization," *Proc. Int'l Conf. on Computer-Aided Design*, 1995, pp. 467–470.
- [ShFD88] J. Shyu, J. P. Fishburn, A. E. Dunlop, and A. L. Sangiovanni-Vincentelli, "Optimization Based Transistor Sizing," *IEEE Journal of Solid-State Circuits*, pp. 400-409, Apr. 1988.
- [SmLi79] J. M. Smith and J. S. Liebman. "Steiner Trees, Steiner Circuits and the Interference Problem in Building Design," *Engineering Optimization*, 30(4), 1979, pp. 15–36.
- [SoFr94] T. Soyata and E. G. Friedman, "Retiming with Non-Zero Clock Skew, Variable Register, and Interconnect Delay," *Proc. Int'l Conf. on Computer-Aided Design*, Nov 1994, pp. 234–241.
- [SoFM95] T. Soyata, E. G. Friedman, and J. H. Mulligan, Jr., "Monotonicity Constraints on Path Delays for Efficient Retiming with Localized Clock Skew and Variable Register Delay," *Proc. of IEEE Int'l Symp. on Circuits and Systems*, Apr. 1995, pp. 3.1748–3.1751.
- [SrKa94] M. Sriram and S. K. Kang, *Physical Design for Multichip Modules*, Kluwer Academic Publishers, 1994.

- [TaMF94] Y. Tamiya, Y. Matsunaga, and M. Fujita, "LP Based Cell Selection with Constraints of Timing, Area and Power Consumption," *Proc. Int'l Conf. on Computer-Aided Design*, Nov. 1994, pp. 378–381.
- [TeKS96] G. E. T  lez, D. Knol, and M. Sarrafzadeh, "A Graph-Based Delay Budgeting Algorithm for Large Scale Timing-Driven Placement Problem," *Proc. 5th ACM/SIGDA Physical Design Workshop*, April 1996, pp. 234–240.
- [T  Sa94] G. E. T  lez and M. Sarrafzadeh, "Clock Period Constrained Minimal Buffer Insertion in Clock Trees," *Proc. Int'l Conf. on Computer-Aided Design*, Nov. 1994, pp. 219–223.
- [T  FS95] G. E. T  lez, Amir Farrahi, and M. Sarrafzadeh, "Activity-Driven Clock Design for Low Power Circuits," *Proc. IEEE Int'l Conf. on Computer-Aided Design*, Nov. 1995, pp. 62–65.
- [Ts91] R. S. Tsay, "Exact Zero Skew," *Proc. Int'l Conf. on Computer-Aided Design*, 1991, pp. 336–339.
- [TuDP96] B. Tutuianu, F. Dartu, and L. Pileggi, "An Explicit RC-Circuit Delay Approximation Based on the First Three Moments of the Impulse Response," *Proc. 33rd Design Automation Conf.*, 1996, pp. 611–616.
- [va90] L. P. P. van Ginneken, "Buffer Placement in Distributed RC-tree Networks for Minimal Elmore Delay," *Proc. Int'l Symp. on Circuits and Systems*, 1990, pp. 865–868.
- [Va89] P. M. Vaidya, "A New Algorithm for Minimizing Convex Functions over Convex Set," *Proc. IEEE Foundations of Computer Science*, Oct. 1989, pp. 338–343.
- [Ve84] H. J. M. Veendrick, "Short-Circuit Dissipation of Static CMOS Circuitry and Its Impact on the Design of Buffer Circuits," *IEEE Journal of Solid-State Circuits*, SC-19(4), August 1984, pp. 468–473.
- [ViMa94] A. Vittal and M. Marek-Sadowska, "Minimal Delay Interconnect Design Using Alphabetic Trees," *Proc. ACM/IEEE Design Automation Conf.*, San Diego, June 1994, pp. 392–396.
- [ViMa95] A. Vittal and M. Marek-Sadowska, "Power Optimal Buffered Clock Tree Design," *Proc. ACM/IEEE Design Automation Conf.*, San Francisco, June 1995, pp. 497–502.
- [WaFr83] D. F. Wann and M. A. Franklin, "Asynchronous and Clocked Control Structures for VLSI Based Interconnection Networks," *IEEE Trans. on Computer*, C-32(3), March 1983, pp. 284–293.
- [WeEs93] N. H. E. Weste and K. Eshraghian, *Principles of CMOS VLSI Design: a Systems Perspective – 2nd ed*, Addison-Wesley, 1993.
- [WuSh92] B. Wu and N. A. Sherwani, "Effective Buffer Insertion of Clock Tree for High-Speed VLSI Circuits," *Microelectronics Journal*, vol. 23, 1992, pp. 291–300.
- [Wy87] J. L. Wyatt, *Circuit Analysis, Simulation and Design – Part 2*, Chapter 11, North-Holland, 1987.
- [XiDa95] J. G. Xi and W. W.-M. Dai, "Buffer Insertion and Sizing Under Process Variations for Low Power Clock Distribution," *Proc. ACM/IEEE Design Automation Conf.*, 1995, pp. 491–496.

- [XiDa96] J. G. Xi and W. W.-M. Dai, "Useful-Skew Clock Routing with Gate Sizing for Low Power Design," *Proc. 33rd Design Automation Conf.*, 1996, pp. 383–388.
- [XuKu95a] T. Xue and E. S. Kuh, "Post Routing Performance Optimization via Tapered Link Insertion and Wiresizing," *Proc. European Design Automation Conf.*, 1995.
- [XuKu95b] T. Xue and E. S. Kuh, "Post Routing Performance Optimization via Multi-Link Insertion and Non-Uniform Wiresizing," *Proc. Int'l Conf. on Computer-Aided Design*, 1995, pp. 575–580.
- [XuKW96] T. Xue, E. S. Kuh, and D. Wang, "Post Global Routing Crosstalk Risk Estimation and Reduction," to appear in *Proc. IEEE Int'l Conf. on Computer-Aided Design*, Nov. 1996.
- [XuKY96] T. Xue, E. S. Kuh and Q. Yu, "A Sensitivity-Based Wiresizing Approach to Interconnect OPTimization of Lossy Transmission Line Topologies," *Proc. IEEE Multi-Chip Module Conf.*, 1996, pp. 117-121.
- [YuKu95a] Q. Yu and E. S. Kuh "Moment Models of General Transmission Line with Application to MCM Interconnect Analysis," *Proc. IEEE Multi-Chip Module Conf.*, 1995, pp. 594-598.
- [YuKu95b] Q. Yu and E. S. Kuh "Exact Moment Matching Model of Transmission Lines and Application to Interconnect Delay Estimation," *IEEE Trans. on Very Large Scale Integration (VLSI) Systems*, 3(2), Jun. 1995, pp. 311–322.
- [ZhLi96] D. Zhou, and X. Y. Liu, "On the Optimal Drivers for High-Speed Low Power ICs," to appear in *International Journal of High Speed Electronics and System*, 1996.
- [ZhST93] D. Zhou, S. Su, F. Tsui, D. S. Gao, and J. S. Cong, "A Two-Pole Circuit Model for VLSI High-Speed Interconnection," *Proc. IEEE Int'l Symp. on Circuits and Systems*, 1993, pp. 2129–2132.
- [ZhST94] D. Zhou, S. Su, F. Tsui, D. S. Gao, and J. S. Cong, "A Simplified synthesis of Transmission Lines with A Tree Structure," *Int'l Journal of Analog Integrated Circuits and Signal Processing*, Jan. 1994, pp. 19–30.
- [ZhTG93] D. Zhou, F. Tsui, and D. S. Gao, "High Performance Multichip Interconnection Design," *Proc. 4th ACM/SIGDA Physical Design Workshop*, Apr. 1993, pp. 32–43.
- [ZhDa92] Q. Zhu and W. W.-M. Dai, "Perfect-balance planar clock routing with minimal path-length," *Proc. Int'l Conf. on Computer-Aided Design*, 1992, pp. 473–476.
- [ZhDX93] Q. Zhu, W. W.-M. Dai, and J. G. Xi, "Optimal Sizing of High-Speed Clock Networks Based on Distributed RC and Lossy Transmission Line Models," *Proc. Int'l Conf. on Computer-Aided Design*, 1993, pp. 628–633.
- [ZhXDS94] Q. Zhu, J. G. Xi, W. W.-M. Dai, and R. Shukla, "Low Power Clock Distribution Based on Area Pad Interconnect for Multichip Modules," *Proc. Int'l Workshop of Low Power Design*, 1994, pp. 87–92.